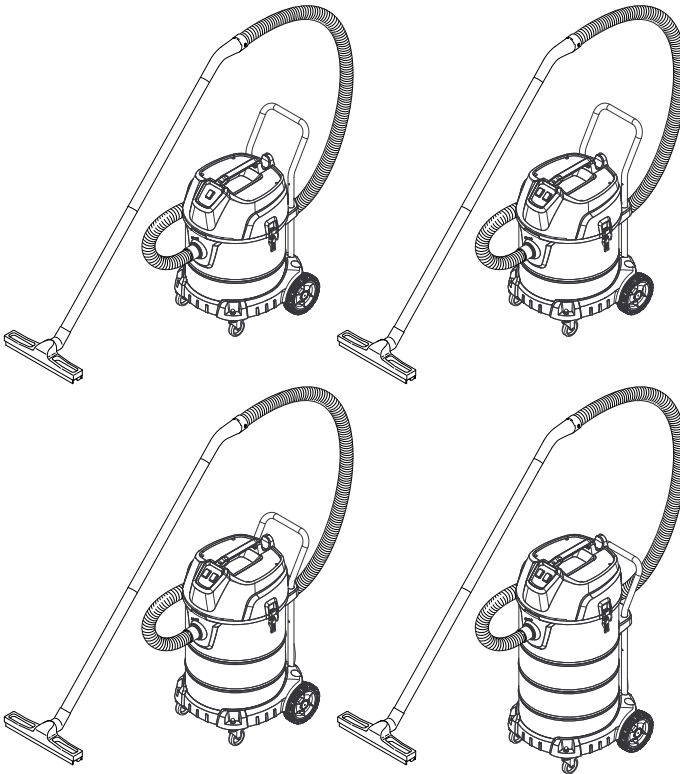


KÄRCHER

makes a difference

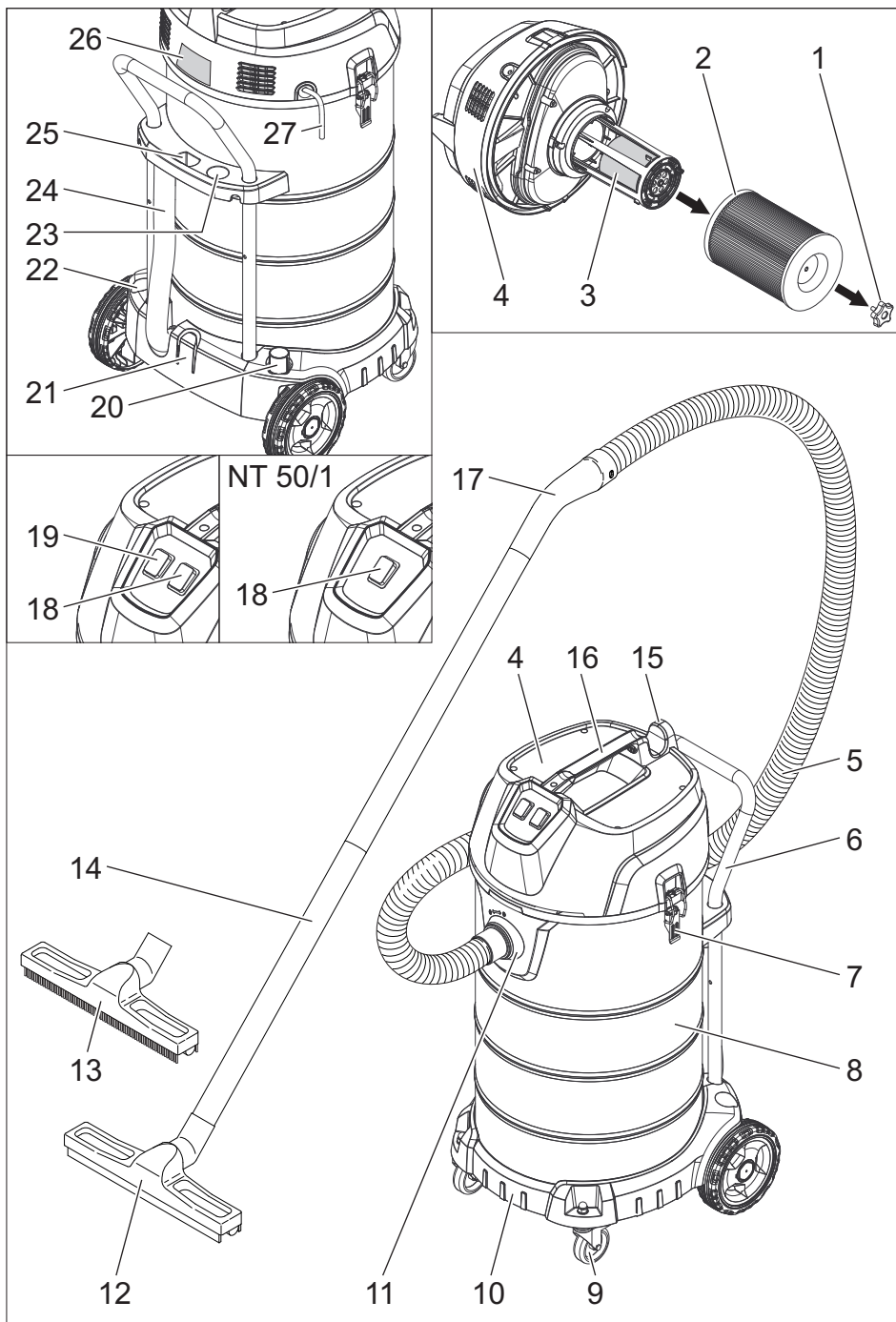
NT 50/1 Me Classic
NT 50/2 Me Classic
NT 70/2 Me Classic
NT 90/2 Me Classic

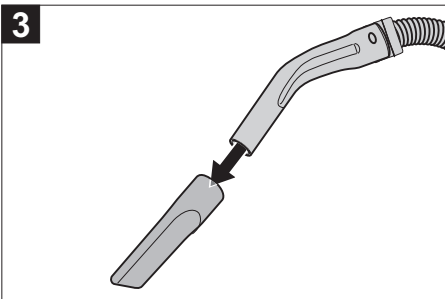
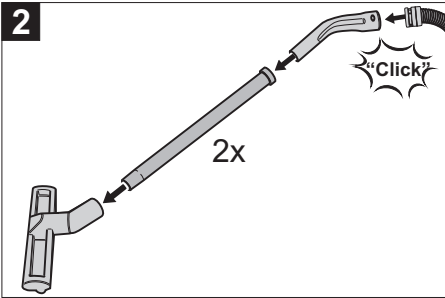
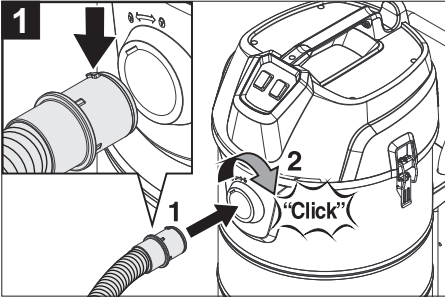
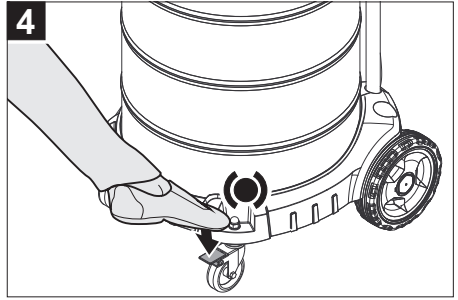
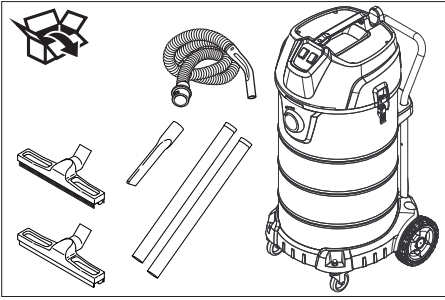
English	5
中文	11
Indonesia	17
한국어	23

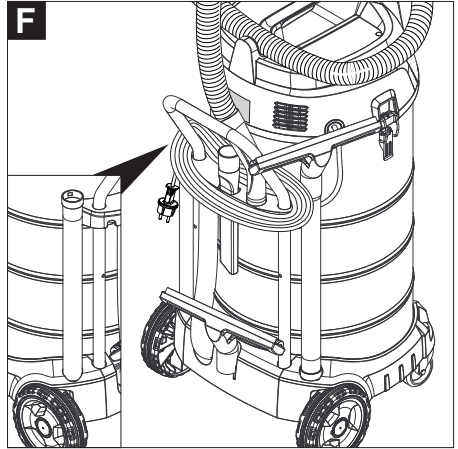
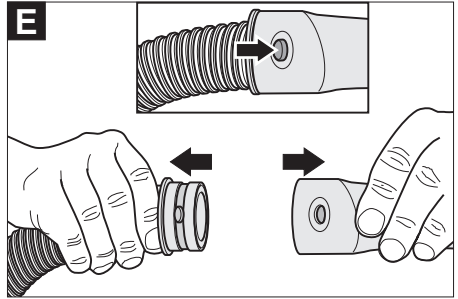
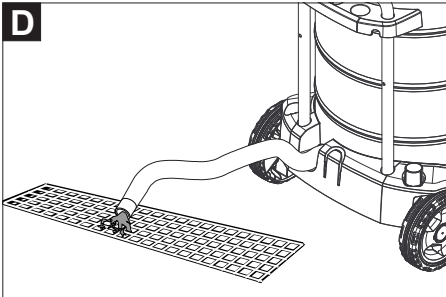
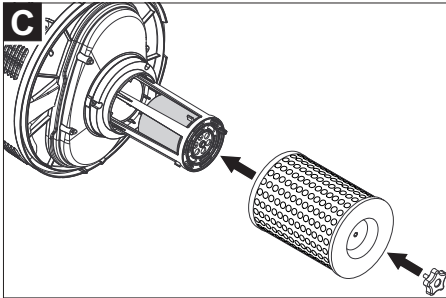
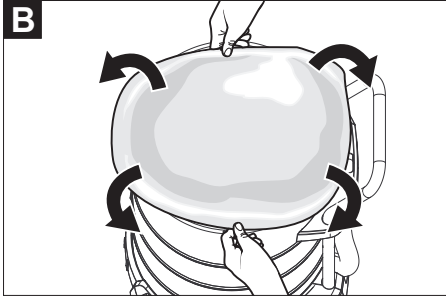
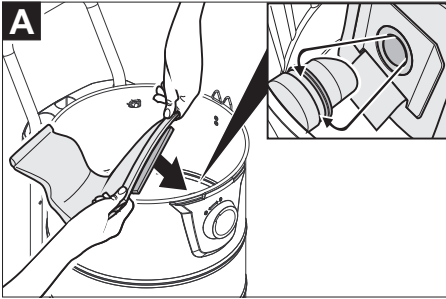


Register and win!
www.kärcher.com/register-and-win











Please read and comply with these original instructions prior to the initial operation of your appliance and store them for later use or subsequent owners.

- Before first start-up it is definitely necessary to read the safety indications Nr. 5.956-249!
- The non-compliance of the operating and safety instructions may lead to damages of the appliance and to dangers for the operator and other persons.
- In case of transport damage inform vendor immediately.

Contents

Environmental protection	EN	1
Danger or hazard levels	EN	1
Proper use	EN	1
Device elements	EN	2
Start up	EN	2
Operation	EN	3
Transport	EN	3
Storage	EN	3
Care and maintenance	EN	3
Troubleshooting	EN	4
Warranty	EN	4
Accessories and Spare Parts .	EN	4
Technical specifications	EN	5

Environmental protection

	The packaging material can be recycled. Please do not throw the packaging material into household waste; please send it for recycling.
	Old appliances contain valuable materials that can be recycled; these should be sent for recycling. Batteries, oil, and similar substances must not enter the environment. Please dispose of your old appliances using appropriate collection systems.

Notes about the ingredients (REACH)

You will find current information about the ingredients at:

www.kaercher.com/REACH

Danger or hazard levels

⚠ **DANGER**

Immediate danger that can cause severe injury or even death.

⚠ **WARNING**

Possible hazardous situation that could lead to severe injury or even death.

⚠ **CAUTION**

Pointer to a possibly dangerous situation, which can lead to minor injuries.

ATTENTION

Pointer to a possibly dangerous situation, which can lead to property damage.

Proper use

⚠ **WARNING**

The appliance is not suitable for vacuuming dust which endangers health.

- The machine is meant for dry and wet cleaning of floors and walls.
- This appliance is suited for the commercial use, e.g. at construction sites, in industrial systems, in workshops and rental companies.

Device elements

- 1 Star screw
- 2 Cartridge filter
- 3 Mechanical overflow protection (float)
- 4 Suction head
- 5 Suction hose
- 6 Push handle
- 7 Suction head lock
- 8 Dirt receptacle
- 9 Steering roller
- 10 Chassis
- 11 Suction support
- 12 Floor nozzle for wet vacuum cleaning
- 13 Floor nozzle for dry vacuum cleaning
- 14 Suction tube
- 15 Hose/cable holder
- 16 Carrying handle
- 17 Bender
- 18 Appliance switch suction turbine 1
- 19 Appliance switch suction turbine 2
(NT 50/2, NT 70/2, NT 90/2 only)
- 20 Holder for suction pipe incl. floor nozzle
- 21 Floor nozzle holder
- 22 Holder for suction pipe
- 23 Plug jack for elbow
- 24 Drain hose
(NT 70/2, NT 90/2 only)
- 25 Holder for crevice nozzle
- 26 Nameplate
- 27 Power cord

Start up

Dry vacuum cleaning

ATTENTION

Risk of damage! During dry vacuum cleaning the cartridge filter and, if necessary, a membrane filter (optional accessory) must be inserted.

- When vacuuming up fine dust, a fleece filter bag (special accessory - NT 50/1, NT 50/2 only) can additionally be used.

Install fleece filter bag

NT 50/1, NT 50/2 only:

Illustration **A**

- Release and remove the suction head.
- Fit fleece filter bag (optional accessory) and ensure correct seating.
- Insert and lock the suction head.

Install membrane filter

Illustration **B**

- Release and remove the suction head.
- Pull the membrane filter (optional accessory) over the container edge and ensure correct seating.
- Insert and lock the suction head.

Wet vacuum cleaning

- During wet vacuum cleaning, the cartridge filter can be replaced by a coarse dirt filter (special accessory) or a membrane filter (special accessory).

ATTENTION

Risk of damage! During wet vacuum cleaning, either the cartridge filter, a coarse dirt filter (special accessory) or a membrane filter (special accessory) must be inserted.

- When vacuuming up wet dirt, the fleece filter bag (optional accessory) must always be removed.
- After the wet vacuuming: Clean the mechanical overflow protection and the container with a damp rag and dry them.

Coarse dirt filter installation

- Release and remove the suction head.
- Unscrew the star screw and pull out the cartridge filter.

Illustration **C**

- Install coarse dirt filter (optional accessory).
- Tighten the star screw.
- Insert and lock the suction head.
- When changing from wet to dry vacuum cleaning, the coarse dirt filter must be replaced by a cartridge filter and, if necessary, by a membrane filter.

Install membrane filter

- see dry vacuum cleaning -

Drain off dirt water

NT 70/2, NT 90/2 only:

⚠ CAUTION

Please observe the local provisions regarding the wastewater treatment.

Illustration 

→ Drain off dirty water through the drainage hose.

Clip connection

Illustration 

The suction hose is equipped with a clip system. All C-40/C-DN-40 accessories can be connected.

Operation

Turning on the Appliance

- Plug in the mains plug.
- Turn on the appliance.

Emptying the dirt container

- The vacuum channel is equipped with a float.
- When the dirt water reaches the highest permissible level in the container, the suction power is interrupted.
- Turn off the appliance.
- Empty the container.

Turn off the appliance

- Turn off the appliance.
- Pull out the mains plug.

After each operation

- Empty the container.
- Vacuum and wipe the appliance inside and outside with a damp cloth.

Storing the Appliance

Illustration 

- Store the floor nozzles, suction pipes, suction hose, elbow, crevice nozzle and power cord in accordance with the illustration.
- Place the appliance in a dry room and secure it from unauthorized use.

Transport

⚠ CAUTION

Risk of injury and damage! Observe the weight of the appliance when you transport it.

- In order to transport the appliance over longer distances, push it on the push handle.
- When transporting in vehicles, secure the appliance according to the guidelines from slipping and tipping over.

Storage

⚠ CAUTION

Risk of injury and damage! Note the weight of the appliance in case of storage.

This appliance must only be stored in interior rooms.

Care and maintenance

⚠ DANGER

First pull out the plug from the mains before carrying out any tasks on the machine.

Change cartridge filter

- Release and remove the suction head.
- Unscrew the star screw, pull out the cartridge filter and replace with a new one.
- Tighten the star screw.
- Insert and lock the suction head.

Cleaning the mechanical overflow safeguard

- Release and remove the suction head.
- Unscrew the star screw and pull out the cartridge filter.
- Clean the mechanical overflow protection with a moist cloth.
- Replace the cartridge filters.
- Tighten the star screw.
- Insert and lock the suction head.

Troubleshooting

⚠ DANGER

First pull out the plug from the mains before carrying out any tasks on the machine.

Suction turbine does not run

- Check the receptacle and the fuse of the power supply.
- Check power cable, mains plug and mechanical overflow protection.
- Turn on the appliance.

Vacuum turbine is running but the machine is not sucking in dust/dirt

- Turn off the appliance and wait for 5 seconds, turn it on again after 5 seconds.
- Loosen and clean the jammed float using a damp cloth. Check float for ease of movement.
- Float is blocking the suction canal.
- Empty the container.

Suction capacity decreases

- Remove choking of suction nozzle, suction tube, suction hose, or cartridge filter.
- NT 50/1, NT 50/2 only:
Exchange the fleece filter bag (option).
- Clean or replace the membrane filter (special accessory) under running water.
- Change cartridge filter.
- NT 70/2, NT 90/2 only:
Check drain pipe for leaks.

Dust comes out while vacuuming

- Check the proper installation of the cartridge filter.
- Change cartridge filter.

Water leak during vacuuming

- Loosen and clean the jammed float using a damp cloth. Check float for ease of movement.

Customer Service

If malfunction can not be fixed, the device must be checked by customer service.


Warranty


The warranty terms published by the relevant sales company are applicable in each country. We will repair potential failures of your appliance within the warranty period free of charge, provided that such failure is caused by faulty material or defects in manufacturing. In the event of a warranty claim please contact your dealer or the nearest authorized Customer Service centre. Please submit the proof of purchase.

Accessories and Spare Parts

- Only use accessories and spare parts which have been approved by the manufacturer. The exclusive use of original accessories and original spare parts ensures that the appliance can be operated safely and trouble free.
- At the end of the operating instructions you will find a selected list of spare parts that are often required.
- For additional information about spare parts, please go to the Service section at www.kaercher.com.

Technical specifications

		NT 50/1 Me Classic *EU *SEA	NT 50/1 Me Classic *CN	NT 50/2 Me Classic *EU *SEA	NT 50/2 Me Classic *CN
Mains voltage	V	220-240	220	220-240	220
Frequency	Hz	1~ 50-60	1~ 50-60	1~ 50-60	1~ 50-60
Max. performance	W	1150	1100	2300	2200
Rated power	W	1050	975	2100	1950
Container capacity	l	50	50	50	50
Filling quantity (liquid)	l	23	23	23	23
Air volume (max.)	l/s	53	53	2x 53	2x 53
Negative pressure (max.)	kPa (mbar)	22,5 (225)	22,5 (225)	22,5 (225)	22,5 (225)
Type of protection	--	IPX4	IPX4	IPX4	IPX4
Protective class		II	II	II	II
Suction hose connection (C-DN/C-ID)	mm	40	40	40	40
Length x width x height	mm	580 x 510 x 850	580 x 510 x 850	580 x 510 x 850	580 x 510 x 850
Typical operating weight	kg	16,0	16,0	17,5	17,5
Max. ambient temperature	°C	+40	+40	+40	+40
Values determined to EN 60335-2-69					
Sound pressure level L_{pA}	dB(A)	73	73	76	76
Uncertainty K_{pA}	dB(A)	2	2	2	2
Hand-arm vibration value	m/s ²	<2,5	<2,5	<2,5	<2,5
Uncertainty K	m/s ²	1	1	1	1

		NT 70/2 Me Classic *EU *SEA	NT 70/2 Me Classic *CN	NT 90/2 Me Classic *EU *SEA	NT 90/2 Me Classic *CN
Mains voltage	V	220-240	220	220-240	220
Frequency	Hz	1~ 50-60	1~ 50-60	1~ 50-60	1~ 50-60
Max. performance	W	2300	2200	2300	2200
Rated power	W	2100	1950	2100	1950
Container capacity	l	70	70	90	90
Filling quantity (liquid)	l	42	42	60	60
Air volume (max.)	l/s	2x 53	2x 53	2x 53	2x 53
Negative pressure (max.)	kPa (mbar)	22,5 (225)	22,5 (225)	22,5 (225)	22,5 (225)
Type of protection	--	IPX4	IPX4	IPX4	IPX4
Protective class		II	II	II	II
Suction hose connection (C-DN/C-ID)	mm	40	40	40	40
Length x width x height	mm	580 x 510 x 850	580 x 510 x 850	580 x 510 x 995	580 x 510 x 995
Typical operating weight	kg	18,5	18,5	19,0	19,0
Max. ambient temperature	°C	+40	+40	+40	+40

Values determined to EN 60335-2-69

Sound pressure level L_{pA}	dB(A)	76	76	76	76
Uncertainty K_{pA}	dB(A)	2	2	2	2
Hand-arm vibration value	m/s^2	<2,5	<2,5	<2,5	<2,5
Uncertainty K	m/s^2	1	1	1	1

Power cord	H05VV-F 2x1,0 mm ²	
	Part no.:	Cable length
EU	9.770-933.0	7,5 m
SEA	9.770-936.0	7,5 m
Power cord	H05VV-F 2x1,0 mm ² 60227 IEC 53	
	Part no.:	Cable length
CN	9.770-866.0	7,5 m



在您第一次使用您的设备前，请先阅读并遵守本操作说明书原件，为日后使用或其他所有者使用方便请妥善保管本说明书。

- 第一次使用前，请务必详阅编号为 5.956-249 的安全提示！
- 不遵守本说明书和安全提示会导致机械损坏以及操作者和其他人员人身危险。
- 如有运输损坏请立即通知零售商。

目录

环境保护	ZH	1
危险等级	ZH	1
合乎规定的使用	ZH	1
设备元件	ZH	2
调试设备	ZH	2
操作说明	ZH	3
运输	ZH	3
储存	ZH	3
保养与维护	ZH	3
故障排除	ZH	3
质量保证	ZH	4
附件和备件	ZH	4
产品规格 / 参数	ZH	5

环境保护

	包装材料可以回收利用。请不要把包装材料与普通垃圾放在一起处理，而应妥善安排回收。
	旧的设备中含有宝贵的可再利用的材料，应加以回收利用。电池、油以及类似物质不可以进入自然环境。请通过适当的收集系统处理您的旧设备。

内部材料提示 (REACH)

最新的内部材料信息请您在如下链接中查找：

www.kaercher.com/REACH

危险等级

△ 危险
即刻引发威胁的危险，致使身体严重伤害或死亡。

△ 警告
潜藏的危险情况，可能致使身体严重伤害或死亡。

△ 小心
提示可能导致轻度伤害的危险状况。

注意
提示可能产生财产损失的危险状况。

合乎规定的使用

- △ 警告**
本设备不适用于抽吸有损健康的粉尘。
- 本设备用于对地面和墙面进行湿式和干式清洁。
 - 本设备适于在交易场所内使用，如在建筑工地、工业设备、车间和租赁业务。

设备元件

- 1 梅花螺丝
- 2 套筒式过滤器
- 3 机械式溢流保护器（浮标）
- 4 吸尘头
- 5 抽吸软管
- 6 推杆
- 7 吸尘头锁销
- 8 污物桶
- 9 导向轮
- 10 行走支架
- 11 吸尘接口
- 12 湿式抽吸地面吸嘴
- 13 干式抽吸地面吸嘴
- 14 吸入管
- 15 软管支架 / 电缆支架
- 16 手柄
- 17 肘管
- 18 吸尘涡轮机开关 1
- 19 吸尘涡轮机开关 2
(只针对 NT 50/2, NT 70/2, NT 90/2)
- 20 吸尘管支架包括地面吸嘴
- 21 地面吸嘴支架
- 22 吸尘管支架
- 23 肘管插座
- 24 排气软管
(只针对 NT 70/2, NT 90/2)
- 25 缝隙吸嘴支架
- 26 铭牌
- 27 电源线

调试设备

干式抽吸

注意

损坏危险！在干式抽吸中必须使用套筒式过滤器，必要时使用隔膜式过滤器。

- 吸细灰尘时可额外使用无纺布过滤袋（选装配件 - 只针对 NT 50/1, NT 50/2）。

无纺布过滤袋安装

只针对 NT 50/1, NT 50/2:

图A

- 解除吸尘头锁销并取下吸尘头。
- 插上无纺布过滤袋（选装配件）并注意正确定位。
- 放上并锁定吸尘头。

安装隔膜式过滤器

图B

- 解除吸尘头锁销并取下吸尘头。
- 将隔膜式过滤器拉到容器边缘（选装配件）并注意正确定位。
- 放上并锁定吸尘头。

湿式抽吸

- 在湿式抽吸时，套筒式过滤器可更换为粗灰尘过滤器（选装配件）或者隔膜式过滤器（选装配件）。

注意

有损坏危险！在湿式抽吸时，套筒式过滤器必须使用粗灰尘过滤器（选装配件）或者隔膜式过滤器（选装配件）。

- 在吸湿污物时必须始终去除无纺布过滤袋（选装配件）。
- 在湿式吸尘结束后：用湿毛巾清洁并干燥机械式溢流保护器和容器。

粗灰尘过滤器安装

- 解除吸尘头锁销并取下吸尘头。
- 拧下梅花螺丝，拔出套筒式过滤器。

图C

- 粗灰尘过滤器（选装配件）安装。
- 拧紧梅花螺丝。
- 放上并锁定吸尘头。
- 当直接由湿式吸尘转换为干式吸尘时，必须将粗灰尘过滤器更换为套筒式过滤器，必要时更换为隔膜式过滤器。

安装隔膜式过滤器

- 详见干式抽吸 -

排出污水

(只针对 NT 70/2, NT 90/2)

⚠ 小心

注意当地废水处理规范。

图D

→ 通过排气软管排出污水。

卡钩连接

图E

吸尘软管配有一个卡钩系统。可以连接所有 C-40/C-DN-40 附件。

操作说明

启动设备

- 插上电源。
- 开启设备。

清空垃圾箱

- 吸尘风道配有一个浮子。
- 如果污物桶中污水达到最高允许水位，则切断吸尘电流。
- 关闭设备。
- 清空污物桶。

关闭设备

- 关闭设备。
- 取下插头。

使用后

- 清空污物桶。
- 通过抽吸并用湿毛巾擦拭将机器内外清洁干净。

设备储存

图F

- 如图所示，保管好地面吸嘴、吸尘管、吸尘软管、肘管、缝隙吸嘴和电源线。
- 将机器放在干燥房间内并防止未经授权而使用。

运输

⚠ 小心

受伤和损坏危险！运输时要注意设备的重量。

- 长距离搬运，推动推杆。
- 用车辆进行运输时，根据各适用准则确保设备不会滑倒和倾覆。

储存

⚠ 小心

受伤和损坏危险！存放时要注意设备的重量。

该设备只能存放在室内。

保养与维护

⚠ 危险

在对机器进行任何操作之前，请务必先关闭设备并将插头从电源上拔下。

更换套筒式过滤器

- 解除吸尘头锁销并取下吸尘头。
- 拧下梅花螺丝，拔出套筒式过滤器并换上新的。
- 拧紧梅花螺丝。
- 放上并锁定吸尘头。

清洁机械式溢流保护器

- 解除吸尘头锁销并取下吸尘头。
- 拧下梅花螺丝，拔出套筒式过滤器。
- 定期使用湿毛巾清洁机械式溢流保护器。
- 插上套筒式过滤器。
- 拧紧梅花螺丝。
- 放上并锁定吸尘头。

故障排除

⚠ 危险

在对机器进行任何操作之前，请务必先关闭设备并将插头从电源上拔下。

吸尘涡轮机不运转

- 检查电源插座和保险丝。
- 检查电源线、电源插头和机械式溢流保护器。
- 开启设备。

吸入涡轮机运转，但吸尘器不吸尘

- 关闭机器并等 5 秒钟，5 秒钟后重新启动。
- 松开卡住的浮标并使用干净的湿布擦拭。检查浮标是否活动自如。
- 浮子堵住吸尘风道。
- 清空污物桶。

吸力减弱

- 从吸嘴、吸尘管、吸尘软管或套筒式过滤器中拿掉堵塞物。
- 只针对 NT 50/1, NT 50/2:
更换无纺布过滤袋（特殊附件）。
- 将隔膜式过滤器（特殊附件）置于自来水下清洁或更换。
- 更换套筒式过滤器。
- （只针对 NT 70/2, NT 90/2）
检查排气软管是否密封。

吸尘时灰尘泄漏

- 检查套筒式过滤器的安放位置是否正确。
- 更换套筒式过滤器。

抽吸时水溢出

- 松开卡住的浮标并使用干净的湿布擦拭。检查浮标是否活动自如。

客户服务人员

如无法排除故障，则必须送客户服务部检修设备。


质量保证


我们的质量保证条款适用于全球各分公司。在质量保证期内，如果您的产品发生了任何故障，我们都将为您提供免费维修，但是这种故障应当是由于机身材料或制造上的缺陷造成的。请您向经销商或者与您距离最近的经过授权的客户服务处联系，提出保修请求，并提供相应的产品购买证明文件。

附件和备件

- 只允许使用生产商提供的配件和备件。原始配件和原始备件可以确保设备安全无故障地运行。
- 在说明书的结尾部分您可以找到精选的最频繁需要的备件。
- 您可以登录 www.kaercher.com 的 Service 板块里获取更多关于备件的信息。

产品规格 / 参数

		NT 50/1 Me Classic *EU *SEA	NT 50/1 Me Classic *CN	NT 50/2 Me Classic *EU *SEA	NT 50/2 Me Classic *CN
电源电压	V	220-240	220	220-240	220
频率	Hz	1~ 50-60	1~ 50-60	1~ 50-60	1~ 50-60
最大功率	W	1150	1100	2300	2200
额定功率	W	1050	975	2100	1950
污物桶容量	l	50	50	50	50
液体充满量	l	23	23	23	23
(最大) 空气流量	l/s	53	53	2x 53	2x 53
(最大) 负压	kPa (mbar)	22, 5 (225)	22, 5 (225)	22, 5 (225)	22, 5 (225)
防护等级	--	IPX4	IPX4	IPX4	IPX4
保护等级		II	II	II	II
吸尘软管接头 (C-DN/C-ID)	mm	40	40	40	40
长度 x 宽度 x 高度	mm	580 x 510 x 850	580 x 510 x 850	580 x 510 x 850	580 x 510 x 850
典型运行重量	kg	16, 0	16, 0	17, 5	17, 5
(最高) 环境温度	° C	+40	+40	+40	+40
EN 60335-2-69 规定的测定值					
声压等级 L_{pA}	dB(A)	73	73	76	76
不安全性 K_{pA}	dB(A)	2	2	2	2
手臂振动值	m/s ²	<2, 5	<2, 5	<2, 5	<2, 5
不确定度 K	m/s ²	1	1	1	1

		NT 70/2 Me Classic *EU *SEA	NT 70/2 Me Classic *CN	NT 90/2 Me Classic *EU *SEA	NT 90/2 Me Classic *CN
电源电压	V	220-240	220	220-240	220
频率	Hz	1~ 50-60	1~ 50-60	1~ 50-60	1~ 50-60
最大功率	W	2300	2200	2300	2200
额定功率	W	2100	1950	2100	1950
污物桶容量	l	70	70	90	90
液体充满量	l	42	42	60	60
(最大) 空气流量	l/s	2x 53	2x 53	2x 53	2x 53
(最大) 负压	kPa (mbar)	22, 5 (225)	22, 5 (225)	22, 5 (225)	22, 5 (225)
防护等级	--	IPX4	IPX4	IPX4	IPX4
保护等级		II	II	II	II
吸尘软管接头 (C-DN/C-ID)	mm	40	40	40	40
长度 x 宽度 x 高度	mm	580 x 510 x 850	580 x 510 x 850	580 x 510 x 995	580 x 510 x 995
典型运行重量	kg	18, 5	18, 5	19, 0	19, 0
(最高) 环境温度	° C	+40	+40	+40	+40
EN 60335-2-69 规定的测定值					
声压等级 L_{pA}	dB(A)	76	76	76	76
不安全性 K_{pA}	dB(A)	2	2	2	2
手臂振动值	m/s ²	<2, 5	<2, 5	<2, 5	<2, 5
不确定度 K	m/s ²	1	1	1	1
电源线	H05VV-F 2x1, 0 mm ²				
	零件号	电线长度			
EU	9. 770-933. 0	7, 5 m			
SEA	9. 770-936. 0	7, 5 m			
电源线	H05VV-F 2x1, 0 mm ² 60227 IEC 53				
	零件号	电线长度			
CN	9. 770-866. 0	7, 5 m			



Bacalah panduan pengoperasian asli sebelum menggunakan perangkat ini untuk pertama kalinya, lakukan seperti yang tercantum dan jagalah tetap seperti itu untuk penggunaan selanjutnya atau kepada pemilik berikutnya.

- Sebelum memulai pengoperasian awal, baca petunjuk keselamatan No. 5.956-249!
- Kelalaian dalam mengikuti instruksi pengoperasian dan petunjuk keselamatan dapat mengakibatkan kerusakan perangkat dan membahayakan operator dan orang lain.
- Apabila terdapat kerusakan saat transportasi segera hubungi penjual.

Daftar Isi

Perlindungan Lingkungan	ID	1
Tingkat bahaya	ID	1
Penggunaan yang Benar	ID	1
Komponen perangkat	ID	2
Pengoperasian awal	ID	2
Layanan	ID	3
Pengiriman	ID	3
Penyimpanan	ID	3
Pemeliharaan dan perawatan .	ID	3
Pemecahan Masalah	ID	4
Garansi	ID	4
Aksesori dan suku cadang . . .	ID	4
Data Teknis	ID	5

Perlindungan Lingkungan



Kemasan perangkat dapat didaur ulang. Harap buang kemasan tidak ke dalam sampah rumah tangga, melainkan bawa kemasan ini ke tempat pendaurulangan.



Perangkat ini mengandung bahan-bahan berharga yang dapat didaur ulang dan harus ditangani dengan benar. Baterai, oli, dan zat sejenisnya jangan mengotori lingkungan. Oleh karena itu, harap buang perangkat yang sudah usang dan tidak terpakai lagi ke tempat pembuangan yang sesuai.

Petunjuk bahan-bahan yang terkandung (REACH)

Informasi terbaru tentang bahan-bahan yang terkandung dapat dicari di:

www.kaercher.com/REACH

Tingkat bahaya

⚠ **BAHAYA**

Untuk situasi berbahaya yang segera mengancam yang dapat menyebabkan terluka parah atau kematian.

⚠ **PERINGATAN**

Untuk situasi yang mungkin berbahaya yang dapat menyebabkan terluka parah atau kematian.

⚠ **HATI-HATI**

Petunjuk tentang situasi yang mungkin berbahaya yang dapat menyebabkan cedera ringan.

PERHATIAN

Petunjuk tentang situasi yang mungkin berbahaya yang dapat menyebabkan kerusakan properti.

Penggunaan yang Benar

⚠ **PERINGATAN**

Perangkat ini tidak cocok untuk menghisap debu yang membahayakan kesehatan.

- Alat penghisap ini ditujukan untuk membersihkan permukaan lantai dan dinding dalam kondisi kering dan basah.
- Perangkat ini cocok untuk penggunaan komersial dan industri, misalnya di lokasi konstruksi, pabrik, bengkel, dan untuk bisnis penyewaan.

Komponen perangkat

- 1 Baut berbentuk bintang
- 2 Filter kartrid
- 3 Pelindung tumpahan mekanis (pengukur apung)
- 4 Kepala hisap
- 5 Selang hisap
- 6 Gagang dorong
- 7 Penguncian kepala hisap
- 8 Kontainer kotoran
- 9 Kastor
- 10 Sasis
- 11 Penopang hisap
- 12 Nozel lantai untuk penyedotan tipe basah
- 13 Nozel lantai untuk penyedotan tipe kering
- 14 Pipa hisap
- 15 Penahan selang/kabel
- 16 Gagang penahan
- 17 Manifol
- 18 Saklar perangkat turbin hisap 1
- 19 Saklar perangkat turbin hisap 2 (hanya NT 50/2, NT 70/2, NT 90/2)
- 20 Dudukan untuk pipa hisap termasuk nosel lantai
- 21 Dudukan untuk nosel lantai
- 22 Dudukan untuk pipa hisap
- 23 Soket untuk elbow
- 24 Selang pengurusan (hanya NT 70/2, NT 90/2)
- 25 Dudukan untuk nosel pipih
- 26 Label tipe mesin
- 27 Kabel daya

Pengoperasian awal

Penyedotan tipe kering

PERHATIAN

Risiko kerusakan! Saat menyedot kering, filter kartrid dan jika perlu, filter membran (aksesori khusus) harus dipasang.

- Saat menyedot debu partikel, kantung filter fleece (aksesori khusus- hanya NT 50/1, NT 50/2) juga dapat digunakan.

Memasang kantung filter fleece

Hanya NT 50/1, NT 50/2:

Gambar **A**

- Buka penguncian dan lepaskan kepala hisap.
- Masukkan kantung filter fleece (aksesori khusus) dan pastikan posisi yang benar.
- Pasang dan kunci kepala hisap.

Memasang filter membran

Gambar **B**

- Buka penguncian dan lepaskan kepala hisap.
- Tarik filter membran (aksesori khusus) pada tepi wadah dan pastikan posisi yang benar.
- Pasang dan kunci kepala hisap.

Penyedotan tipe basah

- Saat menyedot basah, filter kartrid dapat digunakan dengan filter kotoran kasar (aksesori khusus) atau filter membran (aksesori khusus).

PERHATIAN

Risiko kerusakan! Saat menyedot basah, selain filter kartrid, filter kotoran kasar (aksesori khusus) atau filter membran (aksesori khusus) harus digunakan.

- Saat menyedot kotoran basah, kantung filter fleece (aksesori khusus) harus dilepaskan.
- Setelah menyelesaikan penyedotan basah: Bersihkan pelindung tumpahan mekanis dan wadah dengan kain basah, lalu keringkan.

Memasang filter kotoran kasar

- Buka penguncian dan lepaskan kepala hisap.
- Longgarkan sekrup bintang dan tarik keluar filter kartrid.

Gambar **C**

- Pasang filter kotoran kasar (opsional).
- Kencangkan sekrup bintang.
- Pasang dan kunci kepala hisap.
- Saat beralih dari penyedotan basah ke penyedotan kering filter kotoran kasar harus pasang dengan filter kartrid dan jika perlu, filter membran.

Memasang filter membran


- Lihat bagian Menyedot kering -

Menguras air kotor

Hanya NT 70/2, 90/2 NT:


⚠ **HATI-HATI**

Perhatikan peraturan setempat untuk menangani air limbah.

Gambar 

→ Kuras air kotor melalui selang pengurasan.

Sambungan klip

Gambar 

Selang hisap dilengkapi dengan sistem klip. Dapat disambungkan dengan semua aksesoris C-40/C-DN-40.

Layanan

Menghidupkan perangkat

- Tancapkan steker.
- Aktifkan perangkat.

Mengosongkan kontainer kotoran

- Saluran penyedotan dilengkapi dengan pelampung.
- Jika tingkat air kotor maksimum dicapai, aliran penyedotan akan dihentikan.
- Matikan perangkat.
- Kosongkan kontainer.


Mematikan perangkat

- Matikan perangkat.
- Tarik steker.

Setelah setiap pengoperasian

- Kosongkan kontainer.
- Bersihkan bagian dalam dan luar perangkat setelah pekerjaan menghisap dan menyeka dengan kain yang lembap.

Tempat penyimpanan perangkat

Gambar 

- Simpan nosel lantai, pipa hisap, selang hisap, enbow, nosel pipih, dan kabel daya seperti yang ditampilkan pada gambar.
- Simpan perangkat di tempat kering dan jaga perangkat dari penggunaan yang tidak sah.

Pengiriman

⚠ **HATI-HATI**

Bahaya kecelakaan dan kerusakan!

Perhatikan berat perangkat pada saat pemindahan.

- Untuk membawa melalui jalur yang panjang, dorong perangkat dengan memegang gagang dorong.
- Saat pemindahan perangkat dengan menggunakan kendaraan bermotor perhatikan keamanan sesuai dengan peraturan yang berlaku. Perangkat bisa merosot atau terbalik.

Penyimpanan

⚠ **HATI-HATI**

Bahaya kecelakaan dan kerusakan!

Perhatikan berat perangkat pada saat menyimpannya.

Perangkat ini hanya boleh disimpan di dalam ruangan.

Pemeliharaan dan perawatan

⚠ **BAHAYA**

Pada saat memperbaiki atau

membersihkan perangkat, perangkat harus dimatikan dan steker harus dicabut.

Ganti filter kartrid

- Buka penguncian dan lepaskan kepala hisap.
- Longgarkan sekrup bintang, tarik kartrid filter, lalu ganti dengan yang baru.
- Kencangkan sekrup bintang.
- Pasang dan kunci kepala hisap.

Membersihkan pelindung tumpahan mekanis

- Buka penguncian dan lepaskan kepala hisap.
- Longgarkan sekrup bintang dan tarik keluar filter kartrid.
- Bersihkan pelindung tumpahan mekanis dengan kain basah.
- Masukkan filter kartrid.
- Kencangkan sekrup bintang.
- Pasang dan kunci kepala hisap.

Pemecahan Masalah

⚠ BAHAYA

Pada saat memperbaiki atau membersihkan perangkat, perangkat harus dimatikan dan steker harus dicabut.

Turbin hisap tidak berfungsi

- Periksa stopkontak dan sekring pada sumber listrik.
- Periksa kabel daya, konektor listrik, dan pelindung tumpahan mekanis.
- Aktifkan perangkat.

Turbin hisap beroperasi, namun perangkat tidak menyedot

- Matikan perangkat dan tunggu 5 detik, lalu hidupkan kembali.
- Lepaskan pengukur apung yang dijepit kencang dan bersihkan dengan kain lembap. Periksa pengukur apung apakah dapat bergerak bebas.
- Pelampung menutup saluran penyedotan.
- Kosongkan kontainer.

Daya hisap menurun

- Bersihkan penyumbatan pada nosel hisap, pipa hisap, selang hisap, atau filter kartrid.
- Hanya NT 50/1, NT 50/2: Ganti kantung filter fleece (aksesori khusus).
- Bersihkan filter membran (aksesori khusus) dengan air bersih yang mengalir atau ganti.
- Ganti filter kartrid.

- Hanya NT 70/2, 90/2 NT: Periksa selang pengurasan apakah kedap.

Debu keluar saat pengoperasian hisap

- Periksa posisi pemasangan filter kartrid yang benar.
- Ganti filter kartrid.

Air keluar saat pengoperasian hisap

- Lepaskan pengukur apung yang dijepit kencang dan bersihkan dengan kain lembap. Periksa pengukur apung apakah dapat bergerak bebas.

Layanan pelanggan

Apabila gangguan tidak dapat diatasi, maka perangkat harus diperiksa di pusat servis Kärcher.


Garansi


Garansi yang kami berikan berlaku di setiap perusahaan penjualan yang resmi di setiap negara. Kami memperbaiki kerusakan perangkat Anda tanpa biaya sama sekali jika masih dalam jangka waktu garansi bila penyebab kerusakan adalah kecacatan perangkat atau kesalahan pembuatan. Dalam kasus garansi, harap hubungi penjual dengan menyertakan nota pembelian atau hubungi pusat pelayanan resmi kami.

Aksesori dan suku cadang

- Hanya gunakan aksesori dan suku cadang yang diizinkan oleh produsen. Aksesori asli dan suku cadang asli akan memastikan bahwa perangkat Anda akan bekerja dengan aman dan tanpa gangguan.
- Pilihan suku cadang yang paling diperlukan dapat ditemukan di bagian akhir panduan penggunaan ini.
- Informasi lebih lanjut tentang perlengkapan lain dapat Anda peroleh di www.kaercher.com di cakupan servis.

Data Teknis

		NT 50/1 Me Classic *EU *SEA	NT 50/1 Me Classic *CN	NT 50/2 Me Classic *EU *SEA	NT 50/2 Me Classic *CN
Tegangan listrik	V	220-240	220	220-240	220
Frekuensi	Hz	1~ 50-60	1~ 50-60	1~ 50-60	1~ 50-60
Daya maks.	W	1150	1100	2300	2200
Daya nominal	W	1050	975	2100	1950
Volume kontainer	l	50	50	50	50
Volume Cairan	l	23	23	23	23
Volume udara (maks.)	l/s	53	53	2x 53	2x 53
Vakum (maks.)	kPa (mbar)	22,5 (225)	22,5 (225)	22,5 (225)	22,5 (225)
Jenis pelindung	--	IPX4	IPX4	IPX4	IPX4
Tingkat perlindungan		II	II	II	II
Sambungan selang hisap (C-DN/C-ID)	mm	40	40	40	40
Panjang x luas x tinggi	mm	580 x 510 x 850	580 x 510 x 850	580 x 510 x 850	580 x 510 x 850
Bobot pengoperasian umum	kg	16,0	16,0	17,5	17,5
Temperatur sekitar (maks.)	°C	+40	+40	+40	+40
Nilai ditentukan sesuai EN 60335-2-69					
Tingkat tekanan suara L _{pA}	dB(A)	73	73	76	76
Ketidakstabilan K _{pA}	dB(A)	2	2	2	2
Nilai getaran tangan-lengan	m/s ²	<2,5	<2,5	<2,5	<2,5
Ketidakstabilan K	m/s ²	1	1	1	1

		NT 70/2 Me Classic *EU *SEA	NT 70/2 Me Classic *CN	NT 90/2 Me Classic *EU *SEA	NT 90/2 Me Classic *CN
Tegangan listrik	V	220-240	220	220-240	220
Frekuensi	Hz	1~ 50-60	1~ 50-60	1~ 50-60	1~ 50-60
Daya maks.	W	2300	2200	2300	2200
Daya nominal	W	2100	1950	2100	1950
Volume kontainer	l	70	70	90	90
Volume Cairan	l	42	42	60	60
Volume udara (maks.)	l/s	2x 53	2x 53	2x 53	2x 53
Vakum (maks.)	kPa (mbar)	22,5 (225)	22,5 (225)	22,5 (225)	22,5 (225)
Jenis pelindung	--	IPX4	IPX4	IPX4	IPX4
Tingkat perlindungan		II	II	II	II
Sambungan selang hisap (C-DN/C-ID)	mm	40	40	40	40
Panjang x luas x tinggi	mm	580 x 510 x 850	580 x 510 x 850	580 x 510 x 995	580 x 510 x 995
Bobot pengoperasian umum	kg	18,5	18,5	19,0	19,0
Temperatur sekitar (maks.)	°C	+40	+40	+40	+40
Nilai ditentukan sesuai EN 60335-2-69					
Tingkat tekanan suara L_{pA}	dB(A)	76	76	76	76
Ketidakstabilan K_{pA}	dB(A)	2	2	2	2
Nilai getaran tangan-lengan	m/s ²	<2,5	<2,5	<2,5	<2,5
Ketidakstabilan K	m/s ²	1	1	1	1

Kabel daya	H05VV-F 2x1,0 mm ²	
	No. komponen	Panjang kabel
EU	9.770-933.0	7,5 m
SEA	9.770-936.0	7,5 m
Kabel daya	H05VV-F 2x1,0 mm ² 60227 IEC 53	
	No. komponen	Panjang kabel
CN	9.770-866.0	7,5 m



장비를 처음 사용할 때에는 우선 본 사용 설명서 원본을 잘 읽고, 지시 사항에 따라 조심스럽게 다루고, 나중에 또 보거나 다음 장비 주인이 참고할 수 있도록 설명서를 잘 보관해 두시기 바랍니다.

- 첫 시동 전에는 무조건 안전 지침 번호 5.956-249 를 필독하세요!
- 사용 설명서와 안전 지침 미준수 시 장비 손상과 사용자 및 기타 인원에게 대한 위험 상황이 발생할 수 있습니다.
- 운반 손상 시 즉시 판매점에 알립니다.

차례

환경 보호	KO	1
위험 수준	KO	1
규정에 따른 사용	KO	1
장비 구성	KO	2
작동	KO	2
사용	KO	3
운반	KO	3
보관	KO	3
보관 및 정비	KO	3
고장 시 해법	KO	4
보증	KO	4
부가 용품과 예비 부품	KO	4
기술 자료	KO	5

환경 보호



포장 재료는 재활용할 수 있습니다. 포장지는 집안 쓰레기통에 버리지 말고 재활용하시기 바랍니다.



현 장치들에는 유용한 재활용 재료가 들어 있습니다. 전지, 기름 등의 재료는 바깥으로 나가면 안됩니다. 그러므로 적합한 수거 시스템을 통해 현 장비들을 처분하시기 바랍니다.

내용물 지시 사항 (REACH: 화학물질의 등록, 평가, 허가 및 제한)

내용물 관련 최신 정보 사이트:
www.kaercher.com/REACH

위험 수준

- △ 위험
신체에 중상을 입거나 사망에 이를 수 있는 직접적인 위험.
- △ 경고
신체에 중상을 입거나 사망에 이를 수 있는 위험스러운 상황.
- △ 주의
경상에 이를 수 있는 위험스러운 상황.
유의
물적 손상에 이를 수 있는 위험스러운 상황.

규정에 따른 사용

- △ 경고
장비는 건강에 해로운 먼지 흡입에는 적합하지 않습니다.
- 본 흡입기는 바닥면과 벽면 건조 청소용입니다.
- 본 장비는 산업용으로, 예컨대 시공 장소, 산업 시설, 작업장 및 임대 업종에 적합합니다.

장비 구성

- 1 스타 스크루
- 2 카트리리지 필터
- 3 기계식 넘침 방지 스위치 (플로트)
- 4 흡입 헤드
- 5 흡입 호스
- 6 밀대
- 7 흡입 헤드 로크
- 8 오물 용기
- 9 회전 가능한 캐스터 바퀴
- 10 캐리어
- 11 흡입 노즐
- 12 습식 흡입용 플로우 노즐
- 13 습건식 진공 청소기 안전 지침
- 14 흡입관
- 15 호스 / 케이בל 홀더
- 16 운반 손잡이
- 17 벤드
- 18 흡입 터빈 1 장비 스위치
- 19 흡입 터빈 2 장비 스위치
(NT 50/2, NT 70/2, NT 90/2 에 국한)
- 20 플로 노즐 포함 흡입 튜브용 홀더
- 21 플로 노즐용 홀더
- 22 흡입 튜브용 홀더
- 23 벤드용 소켓
- 24 배출 호스
(NT 70/2, NT 90/2 에 국한)
- 25 부대 용품 홀더
- 26 라벨
- 27 전원 케이בל

작동

건식 흡입

유의

손상 위험! 건식 흡입 시 카트리리지 필터와 필요 시 멤브레인 필터 (특수 부대 용품) 를 사용해야 합니다.

- 미세 먼지 흡수 시 추가로 플리스 필터 백 (특수 부대 용품 - NT 50/1, NT 50/2 에 국한) 을 사용할 수 있습니다.

플리스 필터백을 설치합니다

NT 50/1, NT 50/2 에 국한:

도해 **A**

- 흡입 헤드를 풀고 떼냅니다.
- 플리스 필터백 (특수 부대 용품) 을 장착 하며 정확한 위치에 유의합니다.
- 흡입 헤드를 부착하고 잠급니다.

멤브레인 필터를 설치합니다

도해 **B**

- 흡입 헤드를 풀고 떼냅니다.
- 멤브레인 필터 (특수 부대 용품) 를 용기 테두리 너머로 당기며 정확한 위치에 유의합니다.
- 흡입 헤드를 부착하고 잠급니다.

습식 흡입

- 습식 흡입 시 카트리리지 필터를 굵은 오물 필터 (특수 부대 용품) 나 멤브레인 필터 (특수 부대 용품) 로 교체할 수 있습니다.

유의

손상 위험! 습식 흡입 시 카트리리지 필터, 굵은 오물 필터 (특수 부대 용품) 나 또는 멤브레인 필터 (특수 부대 용품) 를 사용해야 합니다.

- 젖은 오물 흡수 시 반드시 플리스 필터 백 (특수 부대 용품) 을 꺼내야 합니다.
- 습식 흡입 종료 후: 기계식 넘침 방지 스위치 및 용기를 젖은 천으로 닦고 말립니다.

굵은 오물 필터를 설치합니다

→ 흡입 헤드를 풀고 떼냅니다.

→ 스타 스크루를 풀고 카트리리지 필터를 빼냅니다.

도해 **C**

- 굵은 오물 필터 (특수 부대 용품) 를 설치합니다.
- 스타 스크루를 단단히 조입니다.
- 흡입 헤드를 부착하고 잠급니다.
- 습식 흡입을 건식 흡입으로 교체 시 굵은 오물 필터를 카트리리지 필터와 필요 시 멤브레인 필터로 교체해야 합니다.

멤브레인 필터를 설치합니다

- 건식 흡입 잠조 -

하수를 배출합니다

NT 70/2, NT 90/2 에 국한 :

△ 주의

현지 하수 처리 규정에 유의합니다.

도해 D

→ 배출 호스를 통해 하수를 배출합니다.

클립 연결

도해 E

흡입 호스는 클립 시스템을 구비하고 있습니다. C-40/C-DN-40 부대 용품 부품들은 모두 연결할 수 있습니다.

사용

장비 켜기

- 전원 플러그를 꽂습니다.
- 장비를 켭니다.

오물 용기를 비웁니다

- 흡입로에 필터를 장착해야 합니다.
- 용기 내 허용 최고 오수 수준에 도달하면, 흡입 흐름이 중단됩니다.
- 제품의 전원을 끕니다.
- 용기를 비웁니다.

장비 끄기

- 제품의 전원을 끕니다.
- 전원 플러그를 당깁니다.

매 작동 뒤

- 용기를 비웁니다.
- 장비를 안팎으로 빨아 내고 젖은 천으로 닦아 내어 청소합니다.

제품의 보관 방법

도해 F

- 플로 노즐, 흡입 튜브, 흡입 호스, 벤드, 틈새 노즐 및 전원 케이블을 그림에 따라 보관합니다.
- 장비를 건조한 공간에 두고 허가 없이 쓰지 않도록 조치합니다.

운반

△ 주의

부상 및 손상 위험! 운반 시 장비 무게에 유의합니다.

- 운반을 위해 긴 케도 위로 밀대를 잡고 장비를 밀니다.
- 차량 운반 시 장비를 각각의 해당 지침에 따라 미끄러지지거나 기울어지지 않도록 합니다.

보관

△ 주의

부상 및 손상 위험! 보관 시 장비 무게에 유의합니다.

본 장비는 실내에만 보관해야 합니다.

보관 및 정비

△ 위험

장비로 작업하기 전에는 언제나 장비를 끄고 전원 플러그를 뽑습니다.

카트리지가 필터를 교체합니다

- 흡입 헤드를 풀고 떼냅니다.
- 스타 스크루를 풀고 카트리지가 필터를 빼서 새 카트리지가 필터로 교체합니다.
- 스타 스크루를 단단히 조입니다.
- 흡입 헤드를 부착하고 잠급니다.

기계식 넘침 방지 스위치를 청소합니다

- 흡입 헤드를 풀고 떼냅니다.
- 스타 스크루를 풀고 카트리지가 필터를 빼냅니다.
- 기계식 넘침 방지 스위치를 젖은 천으로 닦습니다.
- 카트리지가 필터를 장착합니다.
- 스타 스크루를 단단히 조입니다.
- 흡입 헤드를 부착하고 잠급니다.

고장 시 해법

△ 위험

장비로 작업하기 전에는 언제나 장비를 끄고 전원 플러그를 뽑습니다.

흡입 터빈이 돌아가지 않는다

- 전력 공급 장치의 소켓과 퓨즈를 점검합니다.
- 전원 케이블, 전원 플러그 및 기계식 넘침 방지 스위치를 점검합니다.
- 장비를 켭니다.

흡입 터빈은 돌아가지만 장비는 흡입하지 않습니다

- 장비를 끄고 5 초 기다렸다가 5 초 후 다시 켭니다.
- 단단히 쥘 플로트를 풀고 젖은 천으로 닦습니다. 플로트가 잘 움직이는지 점검합니다.
- 플로터가 흡입로를 막아 버립니다.
- 용기를 비웁니다.

막힌 뒤 흡입이 안된다

- 흡입 노즐, 흡입 튜브, 흡입 호스 또는 카트리지가 필터에서 막힌 것들을 제거합니다.
- NT 50/1, NT 50/2 에 국한 : 플리스 필터백 (특수 부대 용품) 을 교체합니다.
- 멤브레인 필터 (특수 부대 용품) 를 흐르는 물에 씻고 교체합니다.
- 카트리지가 필터를 교체합니다.
- NT 70/2, NT 90/2 에 국한 : 배출 호스에 물이 새지 않는지 점검합니다.

흡입 시 먼지가 남

- 카트리지가 필터의 정확한 설치 위치를 점검합니다.
- 카트리지가 필터를 교체합니다.

흡입 시 물이 샘

- 단단히 쥘 플로트를 풀고 젖은 천으로 닦습니다. 플로트가 잘 움직이는지 점검합니다.

고객 서비스

고장을 해결할 수 없으면, 장비 점검을 고객 서비스 센터에 맡겨야 합니다.


보증


어느 나라에서나 당사의 공인 마케팅 회사들이 발표한 보증 조건이 적용됩니다. 장비에 고장이 생기면 보증 기간 내에는, 재료나 제조 상의 결함이 그 원인인 한, 무료로 수리해 드립니다. 보증 건이 생긴 경우 구매 영수증을 판매점이나 가장 가까운 공인 고객 서비스 센터에 제시하시기 바랍니다.

부가 용품과 예비 부품

- 제조 업체에서 출시한 부가 용품과 예비 부품만 써야 합니다. 원래의 부가 용품과 원래의 예비 부품을 써야 장비가 안전하게 고장 없이 돌아 갈 수 있습니다.
- 가장 많이 필요한 예비 부품 모음은 사용 설명서 끝에서 확인하실 수 있습니다.
- 예비 부품 추가 정보는 www.kaercher.com 의 서비스 부문에서 구하실 수 있습니다.

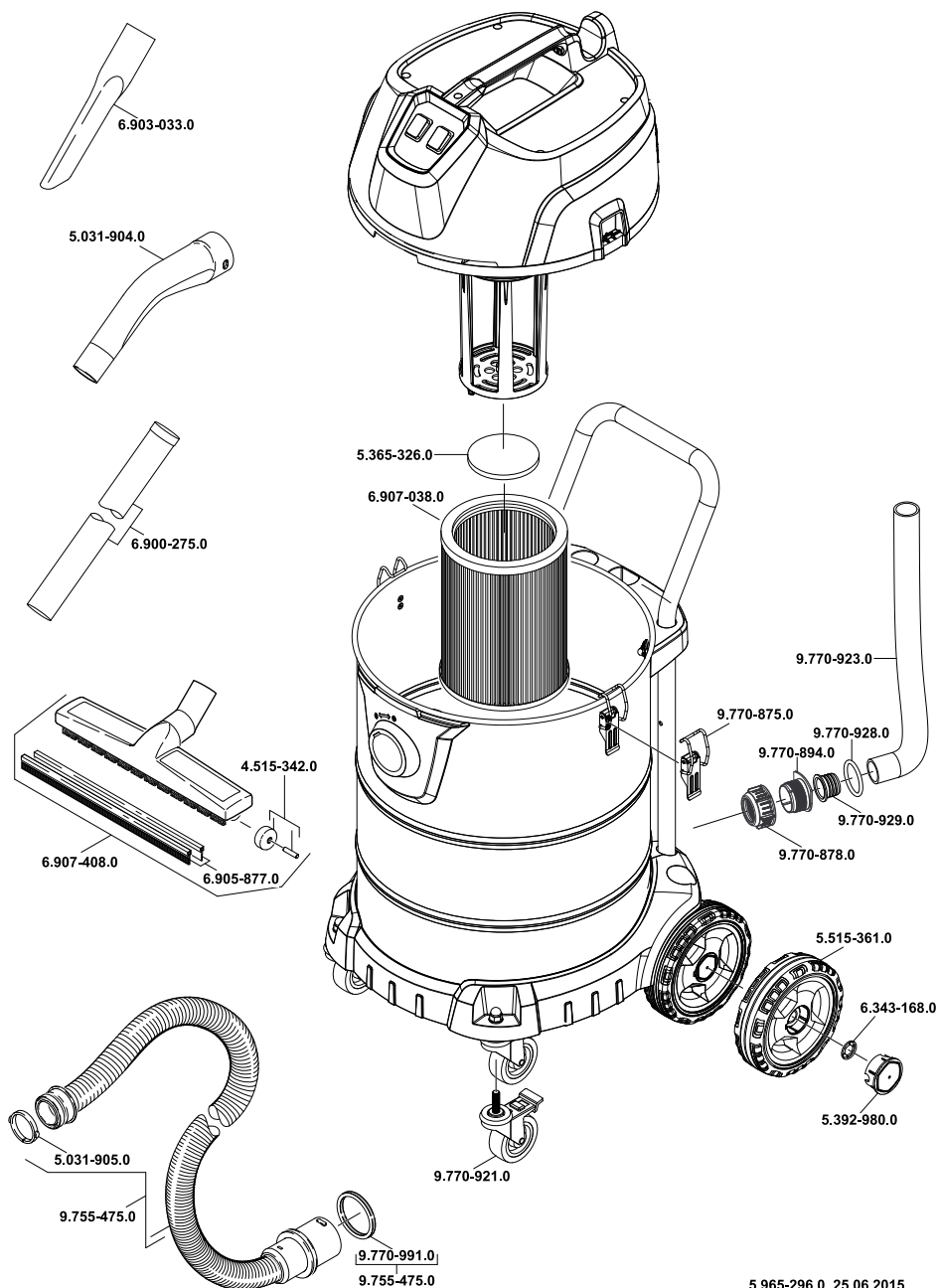
기술 자료

		NT 50/1 Me Classic *EU *SEA	NT 50/1 Me Classic *CN	NT 50/2 Me Classic *EU *SEA	NT 50/2 Me Classic *CN
전원 전압	V	220-240	220	220-240	220
주파수	Hz	1~ 50-60	1~ 50-60	1~ 50-60	1~ 50-60
최대 출력	W	1150	1100	2300	2200
정격 출력	W	1050	975	2100	1950
용기 용량	l	50	50	50	50
액체 충전량	l	23	23	23	23
송풍량 (최대)	l/s	53	53	2x 53	2x 53
저압 (최대)	kPa (mbar)	22,5 (225)	22,5 (225)	22,5 (225)	22,5 (225)
보호 등급	--	IPX4	IPX4	IPX4	IPX4
보호 등급		II	II	II	II
흡입관 연결부 (C-DN/C-ID)	mm	40	40	40	40
세로 x 가로 x 높이	mm	580 x 510 x 850	580 x 510 x 850	580 x 510 x 850	580 x 510 x 850
일반 작동 하중	kg	16,0	16,0	17,5	17,5
주변 온도 (최대)	°C	+ 40	+ 40	+ 40	+ 40
EN 60335-2-69 에 따른 조사값					
소음도 L _{pA}	dB(A)	73	73	76	76
불확실성 K _{pA}	dB(A)	2	2	2	2
손 - 팔 진동값	m/s ²	<2,5	<2,5	<2,5	<2,5
불확실성 K	m/s ²	1	1	1	1

		NT 70/2 Me Classic *EU *SEA	NT 70/2 Me Classic *CN	NT 90/2 Me Classic *EU *SEA	NT 90/2 Me Classic *CN
전원 전압	V	220-240	220	220-240	220
주파수	Hz	1~ 50-60	1~ 50-60	1~ 50-60	1~ 50-60
최대 출력	W	2300	2200	2300	2200
정격 출력	W	2100	1950	2100	1950
용기 용량	l	70	70	90	90
액체 충전량	l	42	42	60	60
송풍량 (최대)	l/s	2x 53	2x 53	2x 53	2x 53
저압 (최대)	kPa (mbar)	22,5 (225)	22,5 (225)	22,5 (225)	22,5 (225)
보호 등급	--	IPX4	IPX4	IPX4	IPX4
보호 등급		II	II	II	II
흡입관 연결부 (C-DN/C-ID)	mm	40	40	40	40
세로 x 가로 x 높이	mm	580 x 510 x 850	580 x 510 x 850	580 x 510 x 995	580 x 510 x 995
일반 작동 하중	kg	18,5	18,5	19,0	19,0
주변 온도 (최대)	°C	+ 40	+ 40	+ 40	+ 40
EN 60335-2-69 에 따른 조사값					
소음도 L _{pA}	dB(A)	76	76	76	76
불확실성 K _{pA}	dB(A)	2	2	2	2
손 - 팔 진동값	m/s ²	<2,5	<2,5	<2,5	<2,5
불확실성 K	m/s ²	1	1	1	1

전원 케이블	H05VV-F 2x1,0 mm ²	
	부품 번호	케이블 길이
EU	9.770-933.0	7,5 m
SEA	9.770-936.0	7,5 m
전원 케이블	H05VV-F 2x1,0 mm ²	
	60227 IEC 53	
	부품 번호	케이블 길이
CN	9.770-866.0	7,5 m

NT 50/1 - NT 50/2 - NT 70/2 - NT 90/2





<http://www.kaercher.com/dealersearch>

