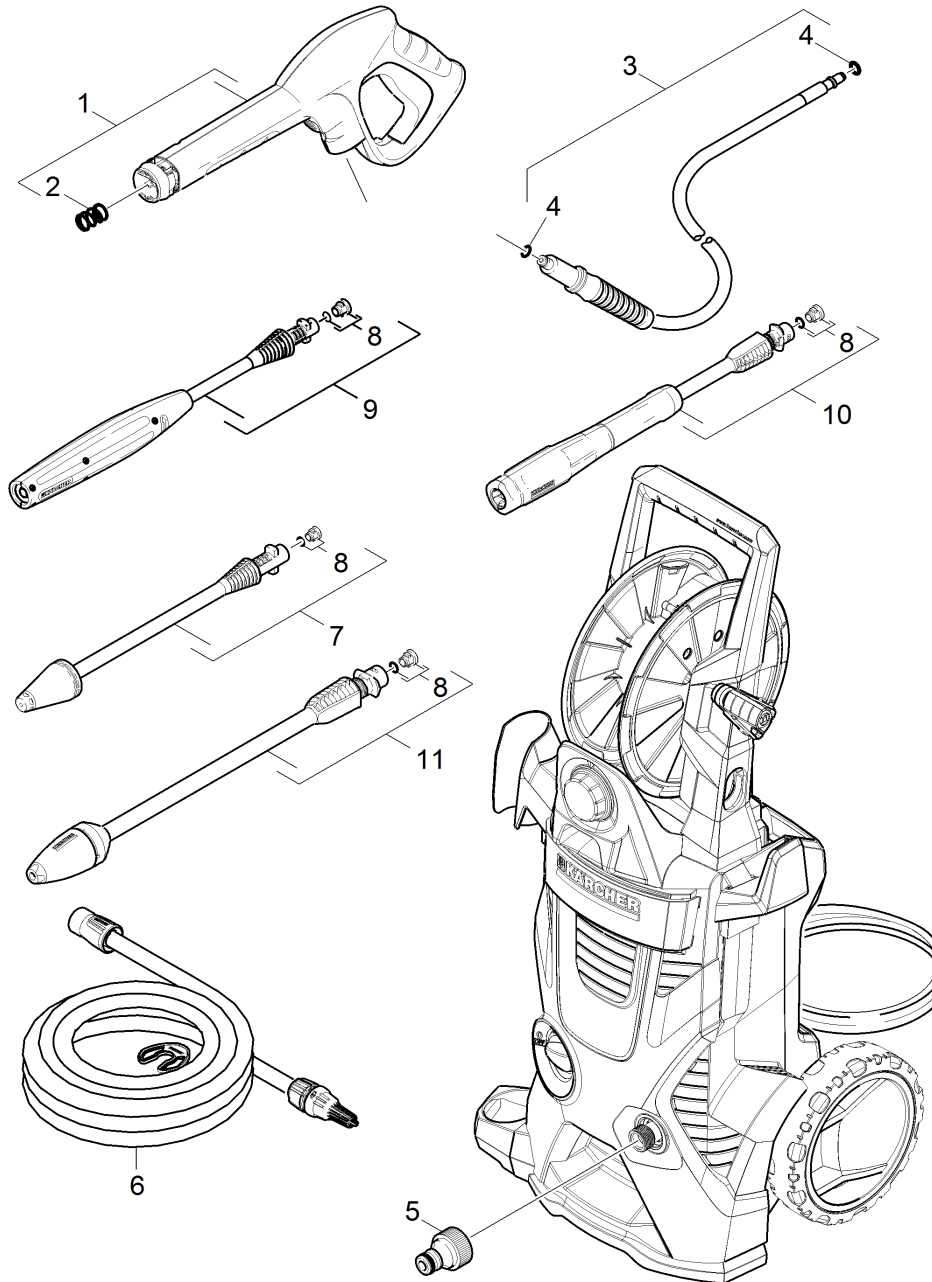


Short spare parts list

Home and Garden \ High pressure cleaner cold water \ Electric motor \ K 5 \ K 5 Premium *EU \ Short spare parts list



Short spare parts list

Home and Garden \ High pressure cleaner cold water \ Electric motor \ K 5 \ K 5 Premium *EU \ Short spare parts list

The KÄRCHER logo is displayed in a bold, black, sans-serif font. The letter 'A' is stylized with a horizontal bar through its center. Below the text is a solid yellow horizontal bar.

POS	Article no.	Description	Quantity	Unit
1	2.642-889.0	G 180 Q Trigger gun Quick Connect	1.000	ST
2	5.332-464.0	Pressure spring	1.000	ST
3	6.392-388.3	High pressure hose 16MPa/12 60°C QC Eco	1.000	ST
4	6.363-410.0	O-Ring seal 5,7x1,78 NBR 90Shore	2.000	ST
5	6.465-031.0	Connection 3/4	1.000	ST
6	2.643-100.0	SH 5 suction hose	1.000	ST
7	4.764-262.0	Dirt blaster 031 St - CEM	1.000	ST
8	2.640-729.0	O-Ring seal set	4.000	ST
9	4.760-534.0	VPS K3 0287 K	1.000	ST
10	2.642-725.0	VP 145 Vario Power Jet (packaged)	1.000	ST
11	2.642-728.0	DB 145 Dirt Blaster (packaged)	1.000	ST