
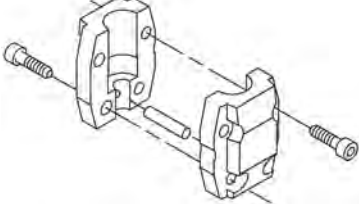
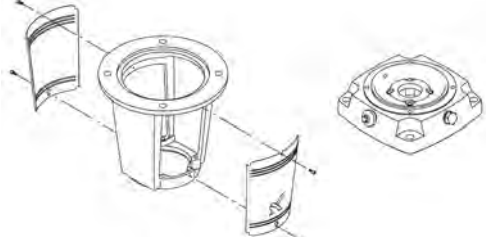


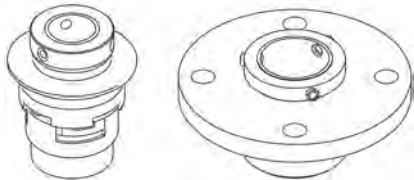
| Qty. | Description |
|------|---|
| 1 | <p data-bbox="204 342 517 365">CRN 32-2-2 A-F-A-E-HQQE</p>  <p data-bbox="204 663 469 685">Product No.: 96122296</p> <p data-bbox="204 723 1453 824">Vertical, multistage centrifugal pump with inlet and outlet ports on same the level (inline). Pump materials in contact with the liquid are in high-grade stainless steel. A cartridge shaft seal ensures high reliability, safe handling, and easy access and service. Power transmission is via a rigid split coupling. Pipe connection is via DIN flanges.</p> <p data-bbox="204 864 935 887">The pump is fitted with a 3-phase, fan-cooled asynchronous motor.</p> <p data-bbox="204 925 520 947">Further product details</p> <p data-bbox="204 958 1430 1059">Steel, cast iron and aluminium components have an epoxy-based coating made in a cathodic electro-deposition (CED) process. CED is a high-quality dip-painting process where an electrical field around the products ensures deposition of paint particles as a thin, well-controlled layer on the surface. An integral part of the process is a pretreatment. The entire process consists of these elements:</p> <ol data-bbox="204 1070 695 1189" style="list-style-type: none"> 1) Alkaline-based cleaning. 2) Zinc phosphating. 3) Cathodic electro-deposition. 4) Curing to a dry film thickness 18-22 my m. <p data-bbox="204 1193 908 1216">The colour code for the finished product is NCS 9000/RAL 9005.</p> <p data-bbox="204 1249 284 1272">Pump</p> <p data-bbox="204 1283 1390 1339">A standard split coupling connects the pump and motor shaft. It is enclosed in the pump head/motor stool by means of two coupling guards.</p>  <p data-bbox="204 1585 1437 1641">The motor stool connects the pump head and motor. The pump head has a combined 1/2" priming plug and vent screw.</p>  <p data-bbox="204 1910 1453 2011">The pump is fitted with a balanced O-ring seal unit with a rigid torque-transmission system. This seal type is assembled in a cartridge unit which makes replacement safe and easy. Due to the balancing, this seal type is suitable for high-pressure applications. The cartridge construction also protects the pump shaft from possible wear from a dynamic O-ring between pump shaft and shaft seal.</p> <p data-bbox="204 2022 347 2045">Primary seal:</p> <ul data-bbox="240 2051 802 2107" style="list-style-type: none"> • Rotating seal ring material: silicon carbide (SiC) • Stationary seat material: silicon carbide (SiC) |

Qty. Description

This material pairing is used where higher corrosion resistance is required. The high hardness of this material pairing offers good resistance against abrasive particles.

Secondary seal material: EPDM (ethylene-propylene rubber)

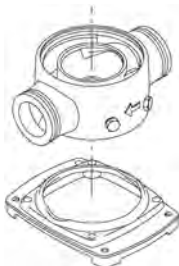
EPDM has excellent resistance to hot water. EPDM is not suitable for mineral oils.



The shaft seal is retained in the pump head by a cover and screws. It can be replaced without removing the motor.

The chambers and impellers are made of stainless-steel sheet. The chambers are provided with a PTFE neck ring offering improved sealing and high efficiency. The impellers have smooth surfaces, and the shape of the blades ensure a high efficiency.

The pump has a stainless-steel base mounted on a separate base plate. The base and base plate are kept in position by the tension of the staybolts which hold the pump together. Both the inlet and the outlet side of the base have two pressure gauge tapings. The pump is secured to the foundation by four bolts through the base plate. The flanges are fastened to the base by means of locking rings.



Motor

The motor is a totally enclosed, fan-cooled motor with principal dimensions to IEC and DIN standards. The motor is flange-mounted with tapped-hole flange (FT).

Motor-mounting designation in accordance with IEC 60034-7: IM B 14 (Code I) / IM 3601 (Code II).

Electrical tolerances comply with IEC 60034.

The motor efficiency is classified as IE3 in accordance with IEC 60034-30-1.

The motor has thermistors (PTC sensors) in the windings in accordance with DIN 44081/DIN 44082. The protection reacts to both slow- and quick-rising temperatures, e.g. constant overload and stalled conditions.

Thermal switches must be connected to an external control circuit in a way which ensures that the automatic reset cannot cause accidents. The motors must be connected to a motor-protective circuit breaker according to local regulations.

The motor can be connected to a variable speed drive for adjustment of pump performance to any duty point. Grundfos CUE offers a range of variable speed drives. Please find more information in Grundfos Product Center.

Technical data

Controls:

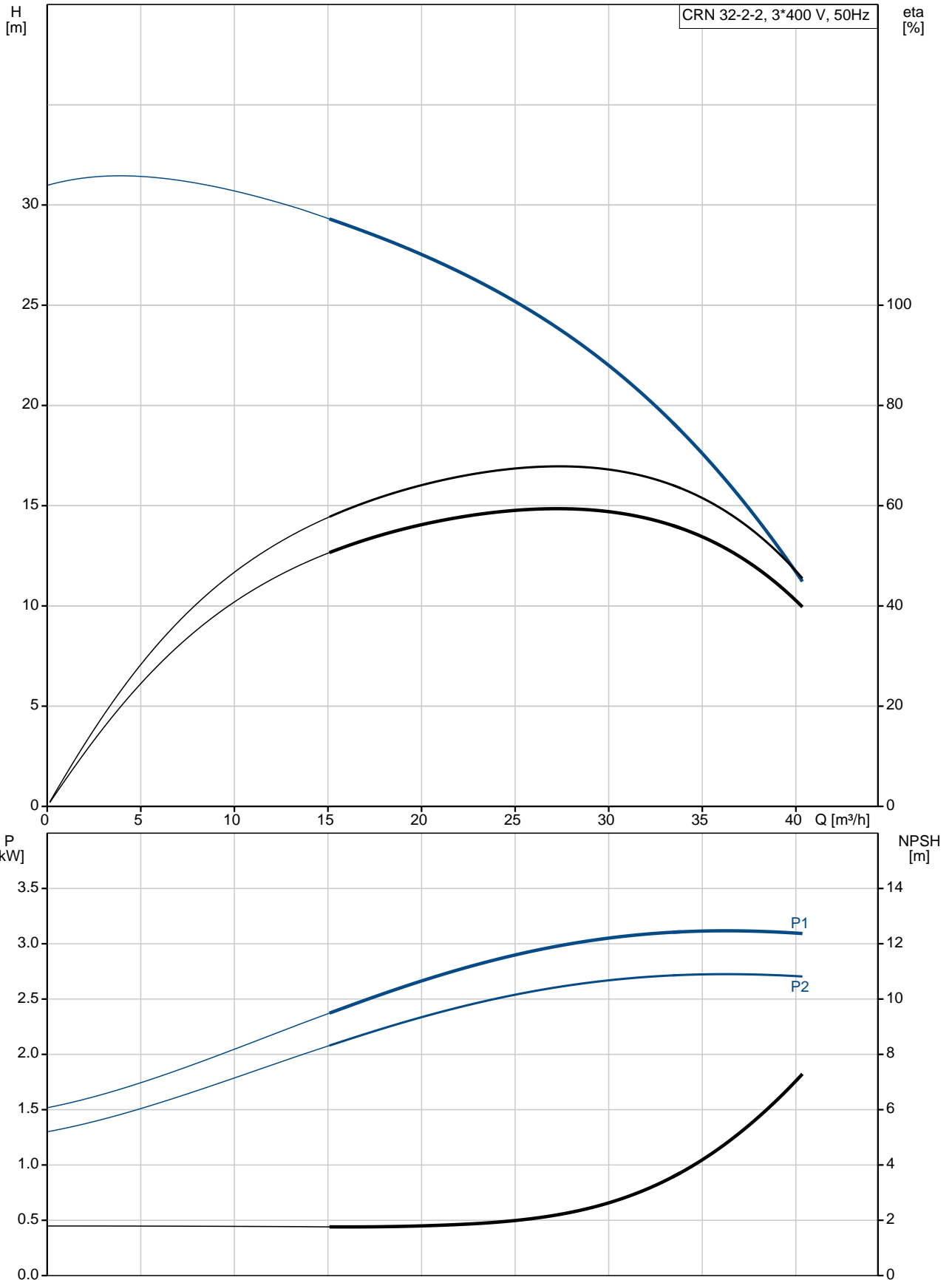
Frequency converter: NONE

Liquid:

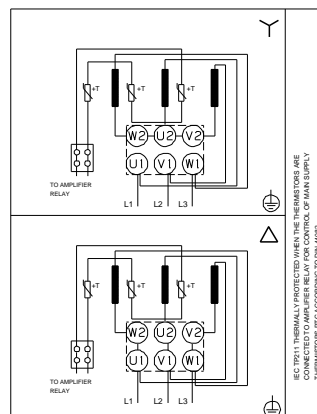
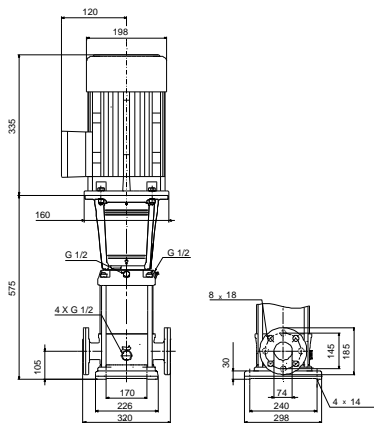
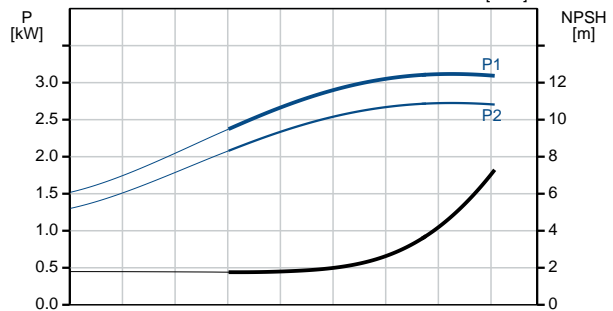
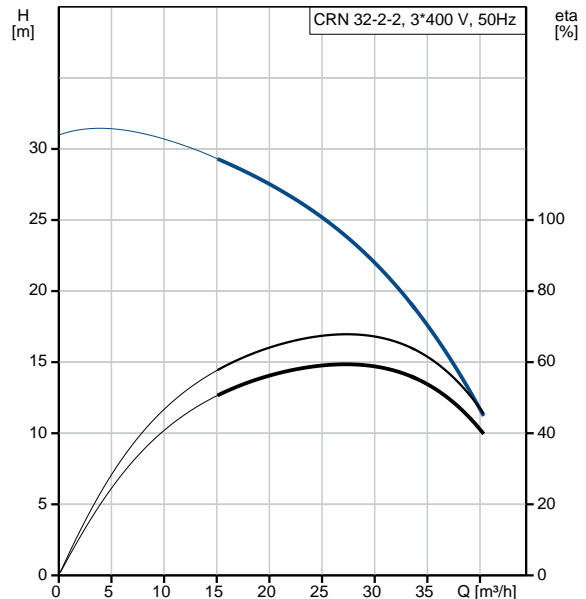
Pumped liquid: Water
 Liquid temperature range: -40 .. 120 °C
 Liquid temperature during operation: 20 °C
 Density: 998.2 kg/m³

| Qty. | Description |
|------|--|
| | <p>Technical: Pump speed on which pump data are based: 2902 rpm Rated flow: 30 m³/h Rated head: 22.6 m Pump orientation: Vertical Shaft seal arrangement: Single Code for shaft seal: HQQE Approvals on nameplate: CE, EAC, ACS Curve tolerance: ISO9906:2012 3B</p> <p>Materials: Base: Stainless steel EN 1.4408 AISI 316 Impeller: Stainless steel EN 1.4401 AISI 316 Bearing: SIC Support bearing: Graflon</p> <p>Installation: Maximum ambient temperature: 60 °C Maximum operating pressure: 16 bar Max pressure at stated temp: 16 bar / 120 °C 16 bar / -40 °C Type of connection: DIN Size of inlet connection: DN 65 Size of outlet connection: DN 65 Pressure rating for pipe connection: PN 40 Flange size for motor: FT130</p> <p>Electrical data: Motor standard: IEC Motor type: 100LC IE Efficiency class: IE3 Rated power - P2: 3 kW Power (P2) required by pump: 3 kW Mains frequency: 50 Hz Rated voltage: 3 x 220-240D/380-415Y V Rated current: 11.0/6.30 A Starting current: 840-920 % Cos phi - power factor: 0.87-0.82 Rated speed: 2900-2920 rpm Efficiency: IE3 87,1% Motor efficiency at full load: 87.1 % Motor efficiency at 3/4 load: 88.0 % Motor efficiency at 1/2 load: 87.7 % Number of poles: 2 Enclosure class (IEC 34-5): 55 Dust/Jetting Insulation class (IEC 85): F</p> <p>Others: Minimum efficiency index, MEI $\hat{\alpha}_{\%}$: 0.70 Net weight: 77 kg Gross weight: 99.9 kg Shipping volume: 0.309 m³ Danish VVS No.: 385916022</p> |

96122296 CRN 32-2-2 A-F-A-E-HQQE 50 Hz



| Description | Value |
|--|--|
| General information: | |
| Product name: | CRN 32-2-2 A-F-A-E-HQQE |
| Product No: | 96122296 |
| EAN number: | 5700396683409 |
| Technical: | |
| Pump speed on which pump data are based: | 2902 rpm |
| Rated flow: | 30 m ³ /h |
| Rated head: | 22.6 m |
| Head max: | 31.6 m |
| Stages: | 2 |
| Impellers: | 2 |
| Number of reduced-diameter impellers: | 2 |
| Low NPSH: | N |
| Pump orientation: | Vertical |
| Shaft seal arrangement: | Single |
| Code for shaft seal: | HQQE |
| Approvals on nameplate: | CE, EAC, ACS |
| Curve tolerance: | ISO9906:2012 3B |
| Pump version: | A |
| Model: | B |
| Materials: | |
| Base: | Stainless steel EN 1.4408 AISI 316 |
| Impeller: | Stainless steel EN 1.4401 AISI 316 |
| Material code: | A |
| Code for rubber: | E |
| Bearing: | SIC |
| Support bearing: | Graflon |
| Installation: | |
| Maximum ambient temperature: | 60 °C |
| Maximum operating pressure: | 16 bar |
| Max pressure at stated temp: | 16 bar / 120 °C 16 bar / -40 °C |
| Type of connection: | DIN |
| Size of inlet connection: | DN 65 |
| Size of outlet connection: | DN 65 |
| Pressure rating for pipe connection: | PN 40 |
| Flange size for motor: | FT130 |
| Connect code: | F |
| Liquid: | |
| Pumped liquid: | Water |
| Liquid temperature range: | -40 .. 120 °C |
| Liquid temperature during operation: | 20 °C |
| Density: | 998.2 kg/m ³ |
| Electrical data: | |
| Motor standard: | IEC |
| Motor type: | 100LC |
| IE Efficiency class: | IE3 |
| Rated power - P2: | 3 kW |
| Power (P2) required by pump: | 3 kW |
| Mains frequency: | 50 Hz |
| Rated voltage: | 3 x 220-240D/380-415V V |
| Rated current: | 11.0/6.30 A |





Company name:

Created by:

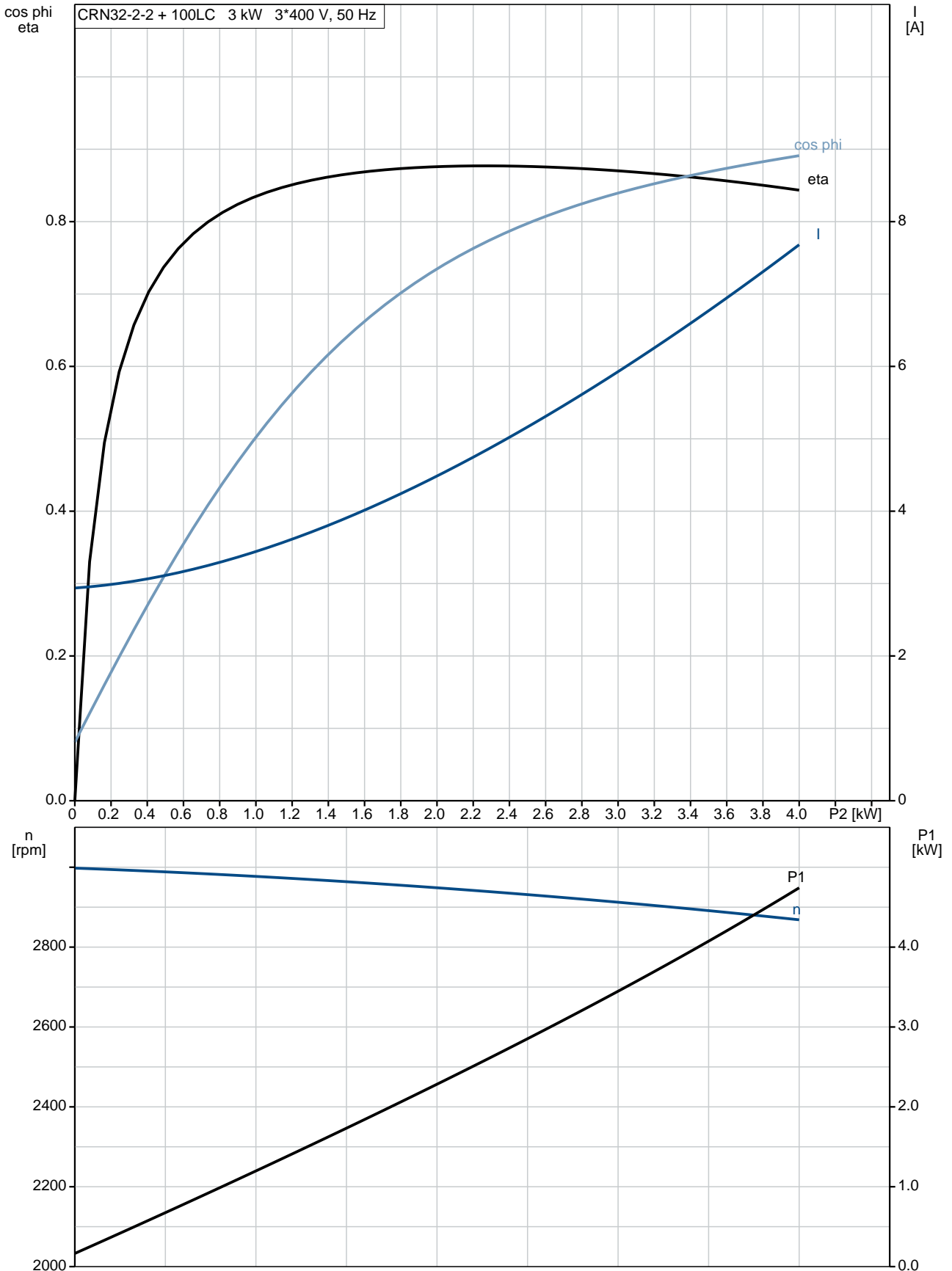
Phone:

Date:

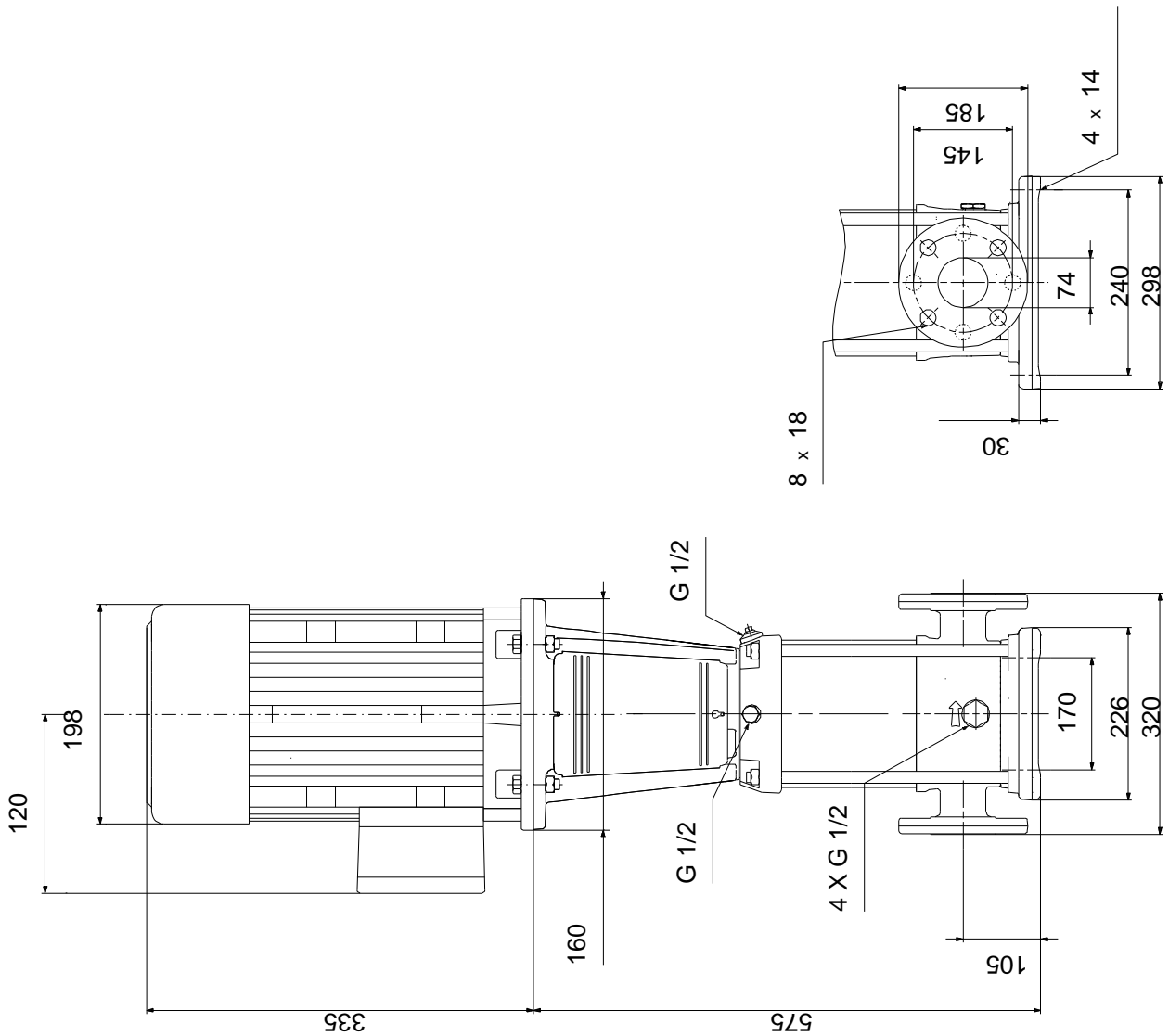
16/02/2019

| Description | Value |
|----------------------------------|----------------------|
| Starting current: | 840-920 % |
| Cos phi - power factor: | 0.87-0.82 |
| Rated speed: | 2900-2920 rpm |
| Efficiency: | IE3 87,1% |
| Motor efficiency at full load: | 87.1 % |
| Motor efficiency at 3/4 load: | 88.0 % |
| Motor efficiency at 1/2 load: | 87.7 % |
| Number of poles: | 2 |
| Enclosure class (IEC 34-5): | 55 Dust/Jetting |
| Insulation class (IEC 85): | F |
| Motor protec: | PTC |
| Motor No: | 85U05510 |
| Controls: | |
| Frequency converter: | NONE |
| Others: | |
| Minimum efficiency index, MEI %: | 0.70 |
| Net weight: | 77 kg |
| Gross weight: | 99.9 kg |
| Shipping volume: | 0.309 m ³ |
| Danish VVS No.: | 385916022 |

96122296 CRN 32-2-2 A-F-A-E-HQQE 50 Hz

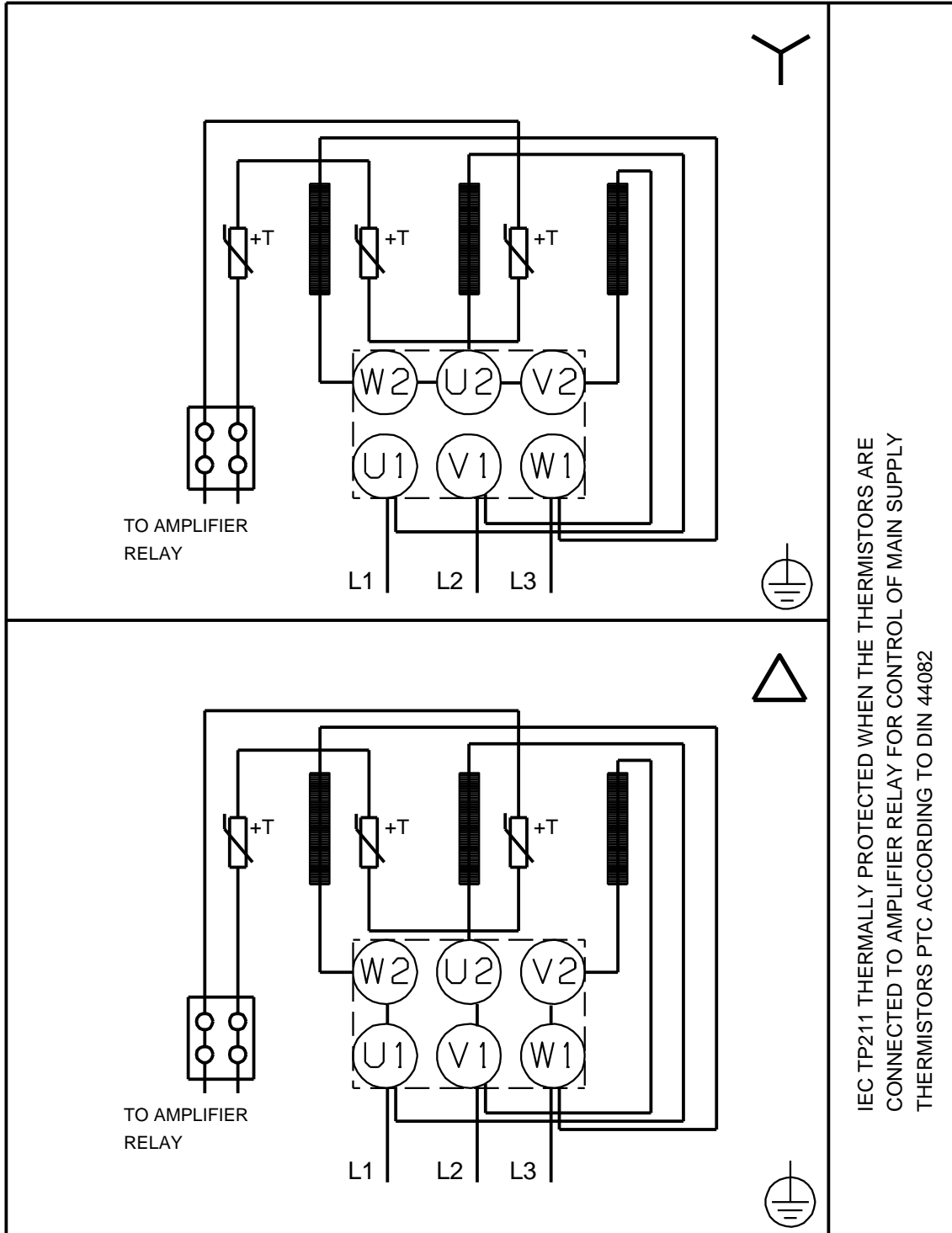


96122296 CRN 32-2-2 A-F-A-E-HQQE 50 Hz



Note! All units are in [mm] unless others are stated.
Disclaimer: This simplified dimensional drawing does not show all details.

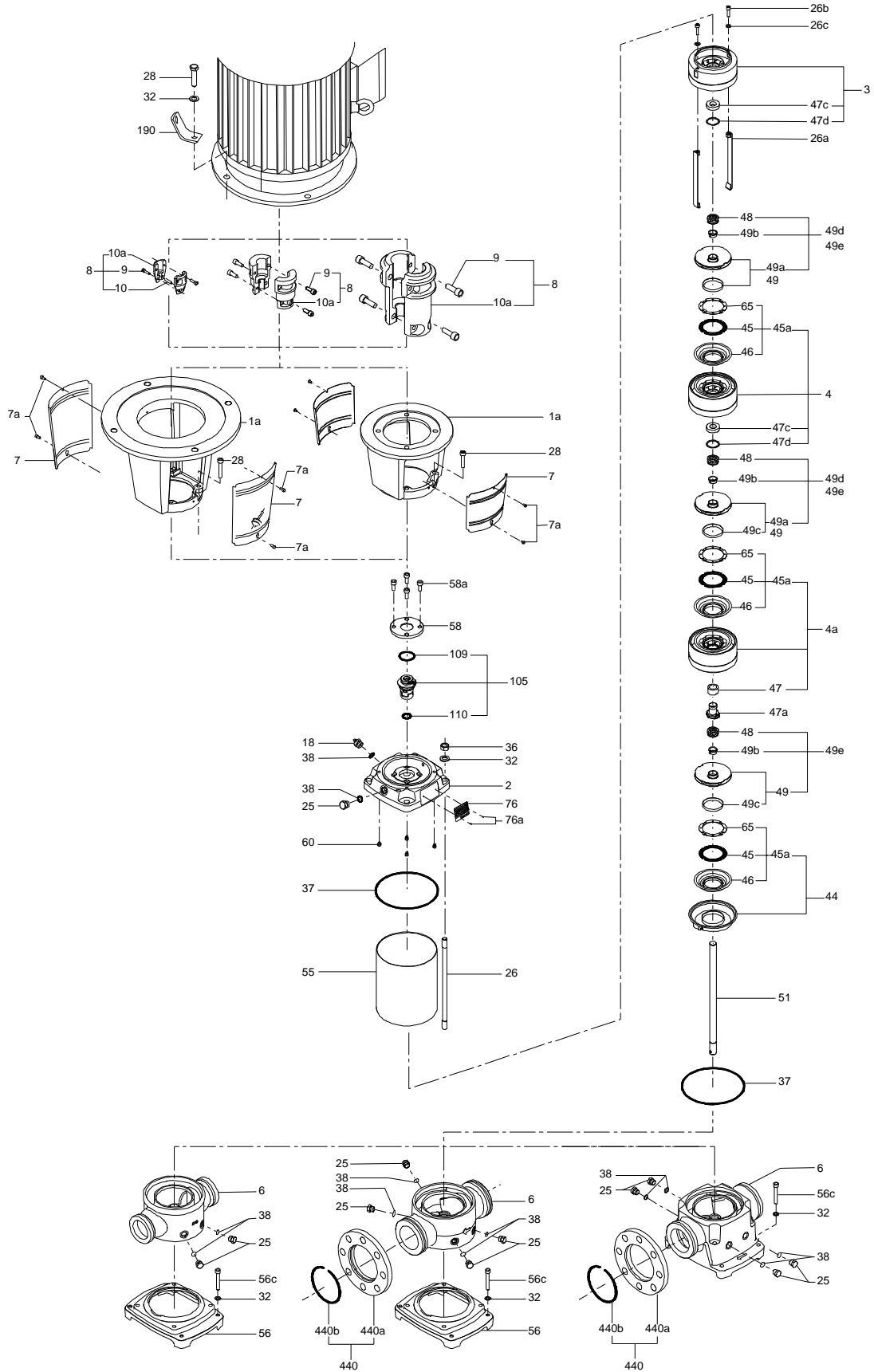
96122296 CRN 32-2-2 A-F-A-E-HQQE 50 Hz



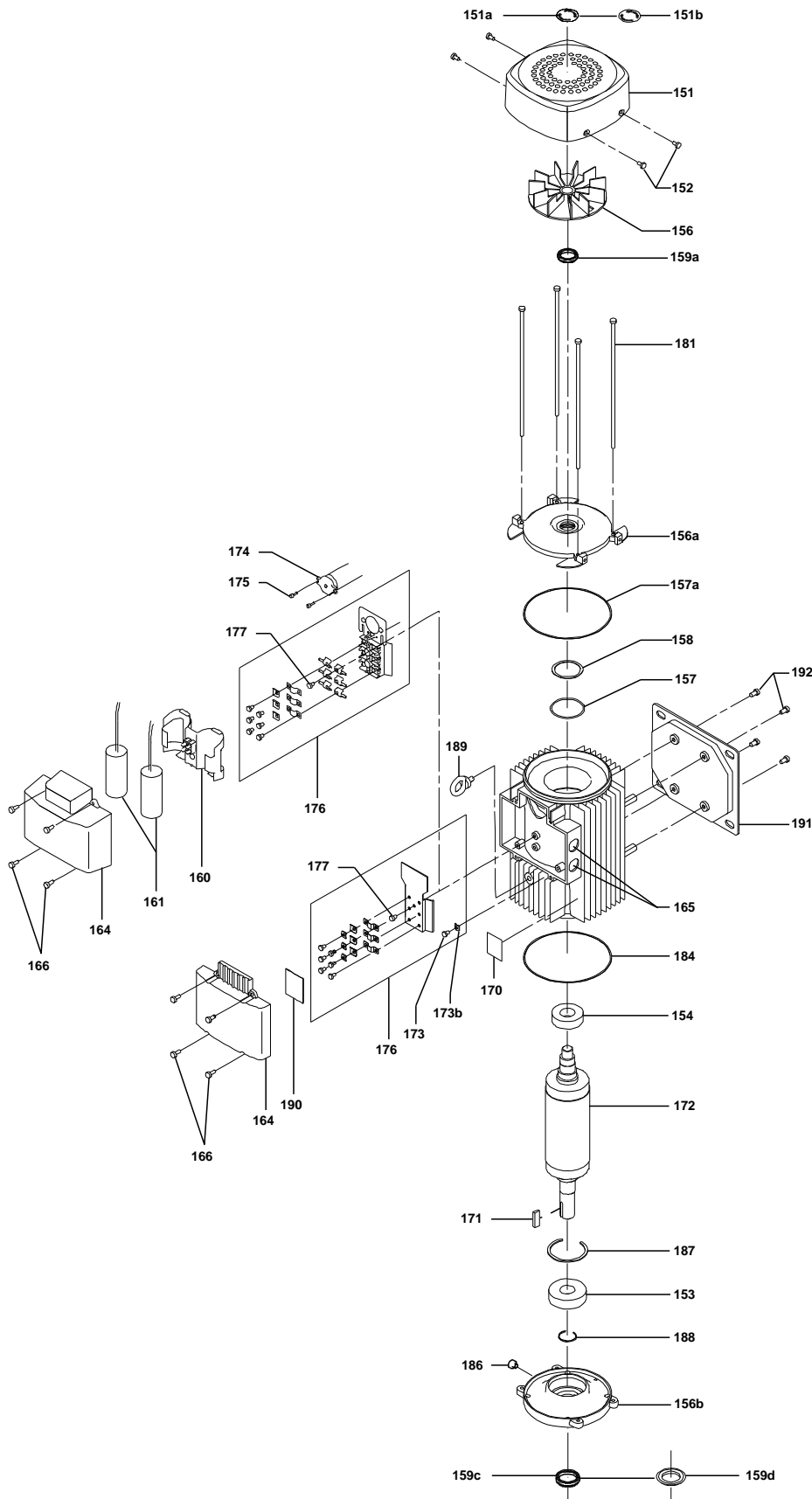
IEC TP211 THERMALLY PROTECTED WHEN THE THERMISTORS ARE
CONNECTED TO AMPLIFIER RELAY FOR CONTROL OF MAIN SUPPLY
THERMISTORS PTC ACCORDING TO DIN 44082

Note! All units are in [mm] unless others are stated.

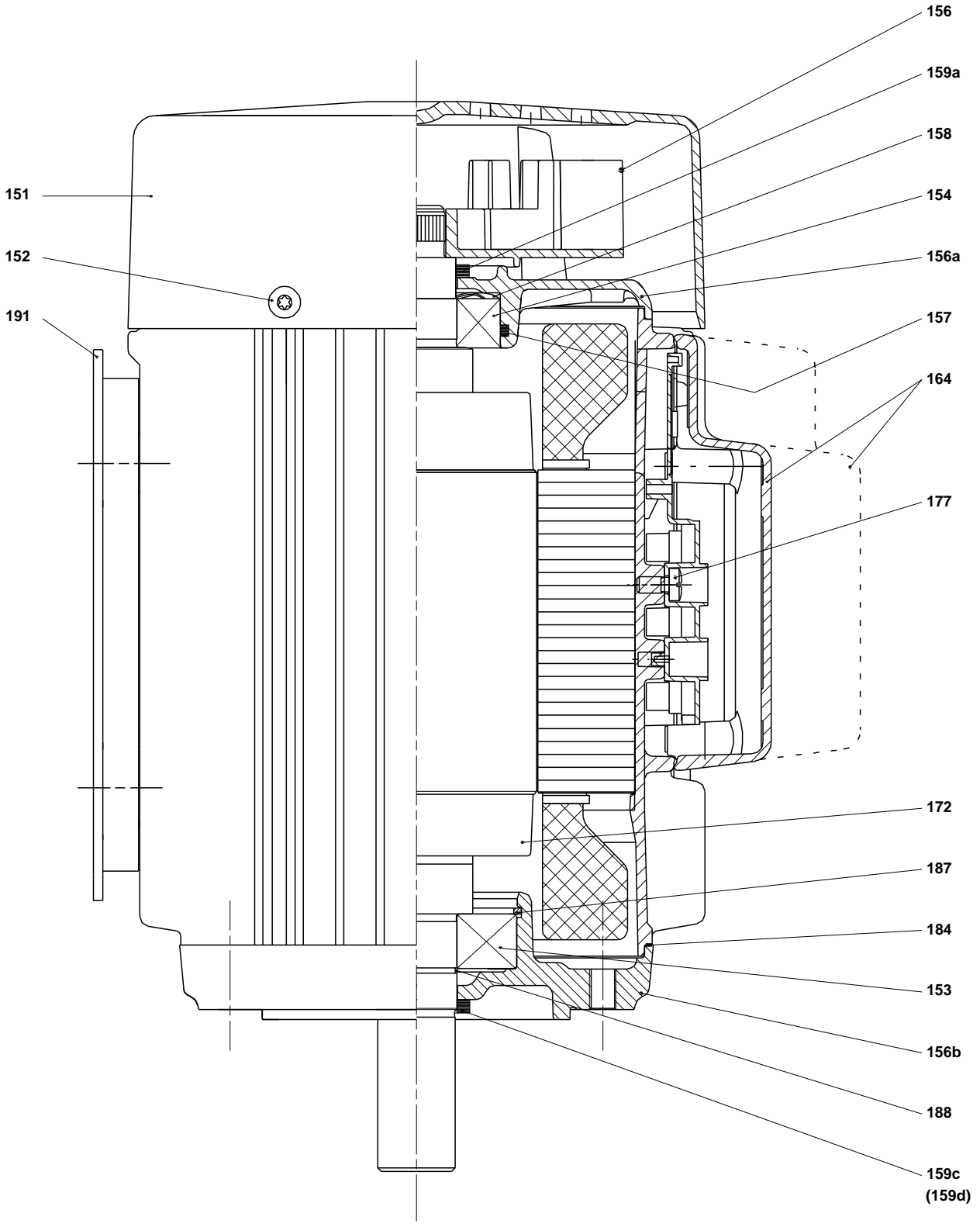
(tm069487 for LACR model B standard)



(tm029184 0505)



(tm029178 2004)



Spare parts CRN 32-2-2, Product No. 96122296
Valid from 3.3.2014 (1410)

| Pos | Description | Annotation | Classification Data | Part no. | Qty. | Unit |
|-------|--------------------------------|------------|-----------------------|----------|------|------|
| - | Base | | | 98925061 | 1 | pcs |
| 6 | Base | | | | 1 | |
| - 80 | Kit, chamber stack | | | 96416918 | 1 | pcs |
| - 80 | Chamber stack | | | | 1 | |
| - 3 | Upper chamber cpl. | | | | | |
| | Guide cup | | | | | |
| | Guide cup | | | | | |
| | Cone | | | | | |
| | Guide | | | | | |
| | Chamber | | | | | |
| | Chamber | | | | | |
| 47d | Lock ring | | | | | |
| 47c | Bush | | | | | |
| - 4a | Intermediate chamber cpl. | | | | | |
| | Guide cup | | | | | |
| | Guide cup | | | | | |
| | Cone | | | | | |
| | Guide | | | | | |
| | Chamber | | | | | |
| | Chamber | | | | | |
| 45a | Neck ring cpl. | | | | | |
| 47 | Bearing | | | | | |
| 26c | Washer | | Designation: DIN 125A | | | |
| | | | Thickness: 1,6 | | | |
| 26b | Hex socket head cap screw | | | | | |
| 26a | Strap cpl. | | Length (mm): 149 | | | |
| | | | Thread: M8 | | | |
| - 44 | Suction interconnector cpl. | | | | | |
| 44a | Suction interconnector | | | | | |
| 45 | Seal ring | | | | | |
| 46 | Neck ring | | | | | |
| 65 | Top f/neck ring | | | | | |
| - 47a | Bearing cpl. | | | | | |
| | Driver | | | | | |
| | Holder | | | | | |
| | Disc spring | | | | | |
| | Bearing ring | | | | | |
| - 49d | Impeller cpl. reduced diameter | | | | | |
| 48 | Nut | | | | | |
| 49b | Split cone | | | | | |
| - 49a | Impeller | | | | | |
| | Impeller hub | | | | | |
| 49c | Wear ring | | | | | |
| 51 | Shaft | | | | | |
| - | Kit, chambers | | | 98633738 | 1 | pcs |
| - 4a | Intermediate chamber cpl. | | | | 1 | |
| | Guide cup | | | | | |
| | Guide cup | | | | | |
| | Cone | | | | | |
| | Guide | | | | | |
| | Chamber | | | | | |
| | Chamber | | | | | |
| 45a | Neck ring cpl. | | | | | |

| Pos | Description | Annotation | Classification Data | Part no. | Qty. | Unit |
|-------|--------------------------------|------------|----------------------|----------|------|------|
| 47 | Bearing | | | | | |
| - 47a | Bearing cpl. | | | | 1 | |
| | Driver | | | | | |
| | Holder | | | | | |
| | Disc spring | | | | | |
| | Bearing ring | | | | | |
| - | Kit, coupling | | | 96416590 | 1 | pcs |
| | Adjusting fork | | | | 1 | |
| 9 | Hex socket head cap screw | | Designation: DIN 912 | | 4 | |
| | | | Length (mm): 25 | | | |
| | | | Thread: M10 | | | |
| 10a | Coupling | | | | 1 | |
| - | Kit, coupling guard | | | 96505134 | 1 | pcs |
| 7a | Socket button head screw | | | | 4 | |
| 7 | Coupling guard | | | | 2 | |
| - | Kit, cover | | | 98832448 | 1 | pcs |
| 58a | Hex socket head cap screw | | Designation: DIN 912 | | 4 | |
| | | | Length (mm): 25 | | | |
| | | | Thread: M10 | | | |
| 58 | Cover | | | | 1 | |
| - | Kit, gaskets | | | 96416597 | 1 | pcs |
| | Adjusting fork | | | | 1 | |
| 37 | O-ring | | | | 2 | |
| 38 | O-ring | | Diameter: 16,3 | | 2 | |
| | | | Material type: EPDM | | | |
| | | | Thickness: 2,4 | | | |
| 38 | O-ring | | Diameter: 16,3 | | 4 | |
| | | | Material type: EPDM | | | |
| | | | Thickness: 2,4 | | | |
| 60 | Spring | | | | 4 | |
| 109 | O-ring | | | | 1 | |
| 110 | O-ring | | Diameter: 21,2 | | 1 | |
| | | | Material type: EPDM | | | |
| | | | Thickness: 3,55 | | | |
| - | Kit, Impeller, reduced diamete | | | 98633836 | 1 | pcs |
| 48 | Nut | | | | 1 | |
| 48 | Nut | | | | 1 | |
| 49b | Split cone | | | | 1 | |
| - 49a | Impeller | | | | 1 | |
| | Impeller hub | | | | | |
| 49c | Wear ring | | | | | |
| - | Kit, plug | | | 96505136 | 1 | pcs |
| - 18 | Air vent screw | | | | 1 | |
| | Spindle | | | | | |
| | Plug | | | | | |
| 25 | Plug | | | | 4 | |
| 25 | Plug | | | | 1 | |
| 38 | O-ring | | Diameter: 16,3 | | 2 | |
| | | | Material type: FKM | | | |
| | | | Thickness: 2,4 | | | |
| 38 | O-ring | | Diameter: 16,3 | | 4 | |
| | | | Material type: FKM | | | |
| | | | Thickness: 2,4 | | | |
| 38 | O-ring | | Diameter: 16,3 | | 6 | |
| | | | Material type: FKM | | | |
| | | | Thickness: 2,4 | | | |
| 38 | O-ring | | Diameter: 16,3 | | 2 | |
| | | | Material type: EPDM | | | |

| Pos | Description | Annotation | Classification Data | Part no. | Qty. | Unit |
|-------|-------------------------------|------------|-----------------------------|----------|------|------|
| | | | Thickness: 2,4 | | | |
| 38 | O-ring | | Diameter: 16,3 | | 4 | |
| | | | Material type: EPDM | | | |
| | | | Thickness: 2,4 | | | |
| - | Kit, shaft seal HQQE | | | 96525458 | 1 | pcs |
| | Grinding device | | | | 1 | |
| - | 105 Shaft seal | | Material type: HQQE | | 1 | |
| | Adjusting fork | | | | | |
| 109 | O-ring | | | | | |
| 110 | O-ring | | Diameter: 21,5 | | | |
| | | | Material type: EPDM | | | |
| | | | Thickness: 4,25 | | | |
| - | Kit, wear parts | | | 98497130 | 1 | pcs |
| 45 | Seal ring | | | | 2 | |
| 47d | Lock ring | | | | 2 | |
| 47c | Bush | | | | 1 | |
| 49c | Wear ring | | | | 2 | |
| 65 | Top f/neck ring | | | | 2 | |
| - | Motor | | | 85903730 | 1 | pcs |
| - | Kit, Ball bearing | | | 96279795 | 1 | |
| 99a | Retaining ring | | | | | |
| 99 | Retaining ring | | | | | |
| 111 | Ball bearing | | | | | |
| 111 | Ball bearing | | | | | |
| 157 | O-ring | | Diameter: 52 | | | |
| | | | Material type: NBR | | | |
| | | | Thickness: 3 | | | |
| 158 | Waved washer | | | | | |
| - | Kit, end shield | | | 96279831 | 1 | |
| 156a | End shield | | | | | |
| 157 | O-ring | | Diameter: 52 | | | |
| | | | Material type: NBR | | | |
| | | | Thickness: 3 | | | |
| 158 | Waved washer | | | | | |
| 159a | Seal ring | | | | | |
| - | Kit, fan | | | 96279757 | 1 | |
| 156 | Fan | | | | | |
| 159a | Seal ring | | | | | |
| - | Kit, fan cover | | | 96279826 | 1 | |
| 151b | Label | | | | | |
| 151 | Fan cover | | | | | |
| 152 | Pan head thread forming screw | | | | | |
| - | Kit, flange | | | 96279828 | 1 | |
| 156b | Flange | | | | | |
| 156.c | Drain plug | | | | | |
| 159.c | Seal ring | | | | | |
| - | Kit, retaining ring | | | 96279799 | 1 | |
| 99 | Retaining ring | | | | | |
| 188 | Retaining ring | | | | | |
| - | Kit, shaft seal | | | 96279762 | 1 | |
| 159c | Seal ring | | | | | |
| 159a | Seal ring | | | | | |
| - | Kit, staybolts | | | 96279832 | 1 | |
| 181 | Pan head staybolt | | | | | |
| - | Kit, terminal board | | | 96279769 | 1 | |
| 173a | Base | | | | | |
| 173 | Pan head thread forming screw | | Designation: COMBI TORX T25 | | | |
| 176 | Slot cheese head screw | | Designation: COMBI TORX T25 | | | |

| Pos | Description | Annotation | Classification Data | Part no. | Qty. | Unit |
|-------|--|-----------------------|---------------------|----------|------|------|
| | | | Length (mm): 10 | | | |
| | | | Thread: M5 | | | |
| 176 | Terminal | | | | | |
| 176 | Connecting piece | | | | | |
| 176 | Wire clamp | | | | | |
| 176 | Terminal board | | | | | |
| 177 | Pan head screw | | | | | |
| - | Kit, terminal box | | | 96279771 | 1 | |
| 164 | Terminal box cover w/gasket | | | | | |
| 166 | Pan head thread forming screw | | | | | |
| 1a | Motor stool | | | 96587723 | 1 | pcs |
| 2 | Pump head | | | 98593646 | 1 | pcs |
| - | 3 Upper chamber cpl. | | | 98633870 | 1 | pcs |
| 47c | Bulk, Bush (10 pcs) | | | 99321194 | 1 | |
| - | 4a Bulk, Intermediate chamber cpl. (5 pcs) | | | 99262783 | 1 | pcs |
| 45a | Bulk, Neck ring cpl. (10 pcs) | | | 96547322 | 1 | |
| - | 6b Base cpl. | Rubber type: EPDM | | 96587693 | 1 | pcs |
| 25 | Bulk, Plug (10 pcs) | | | 96536013 | 4 | |
| 37 | Bulk, O-ring (10 pcs) | | | 96536149 | 1 | |
| 38 | Bulk, O-ring (10 pcs) | | Diameter: 16,3 | 99198815 | 4 | |
| | | | Material type: EPDM | | | |
| | | | Thickness: 2,4 | | | |
| 38 | Bulk, O-ring (50 pcs) | | Diameter: 16,3 | 99412727 | 4 | |
| | | | Material type: EPDM | | | |
| | | | Thickness: 2,4 | | | |
| 56 | Base plate | | | 96587691 | 1 | |
| 7a | Bulk, Socket button head screw (10 pcs) | | | 96549696 | 4 | pcs |
| 7 | Bulk, Coupling guard (10 pcs) | | | 96603300 | 2 | pcs |
| + 18 | Bulk, Air vent screw (5 pcs) | | | 96547461 | 1 | pcs |
| + 18 | Air vent screw | | | 95061351 | 1 | pcs |
| 25 | Bulk, Plug (10 pcs) | | | 96536013 | 1 | pcs |
| 26c | Bulk, Washer (4 pcs) | Designation: DIN 125A | | 99262704 | 2 | pcs |
| | | Thickness: 1,6 | | | | |
| 26c | Washer | Designation: DIN 125A | | 96586880 | 2 | pcs |
| | | Thickness: 1,6 | | | | |
| 26b | Bulk, Hex socket head cap screw (10 pcs) | | | 98931380 | 2 | pcs |
| 26a | Strap cpl. | Length (mm): 149 | | 98983857 | 2 | pcs |
| | | Thread: M8 | | | | |
| 26 | Staybolt | Length (mm): 352 | | 98976682 | 4 | pcs |
| | | Thread: M16 | | | | |
| 28 | Bulk, Hex socket head cap screw (10 pcs) | Designation: DIN 912 | | 96536147 | 4 | pcs |
| | | Length (mm): 50 | | | | |
| | | Thread: M10 | | | | |
| 37 | Bulk, O-ring (10 pcs) | | | 96536149 | 1 | pcs |
| 38 | Bulk, O-ring (10 pcs) | Diameter: 16,3 | | 99198815 | 2 | pcs |
| | | Material type: EPDM | | | | |
| | | Thickness: 2,4 | | | | |
| 38 | Bulk, O-ring (50 pcs) | Diameter: 16,3 | | 99412727 | 2 | pcs |
| | | Material type: EPDM | | | | |
| | | Thickness: 2,4 | | | | |
| - | 44 Suction interconnector cpl. | | | 98633886 | 1 | pcs |
| 45 | Bulk, Seal ring (10 pcs) | | | 97915217 | 1 | |
| 65 | Bulk, Top f/neck ring (10 pcs) | | | 96534931 | 1 | |
| + 47a | Bulk, Bearing cpl. (5 pcs) | | | 99366796 | 1 | pcs |
| + 47a | Bulk, Bearing cpl. (10 pcs) | | | 96534932 | 1 | pcs |
| - | 49d Impeller cpl. reduced diameter | | | 98394466 | 2 | pcs |
| 48 | Bulk, Nut (3 pcs) | | | 99262680 | 1 | |
| 48 | Bulk, Nut (10 pcs) | | | 99262683 | 1 | |



Company name:

Created by:

Phone:

Date: 16/02/2019

| Pos | Description | Annotation | Classification Data | Part no. | Qty. | Unit |
|-------|---------------------------|------------|---|----------|------|------|
| 48 | Bulk, Nut (10 pcs) | | | 96536016 | 1 | |
| 49b | Bulk, Split cone (10 pcs) | | | 96536010 | 1 | |
| - 49a | Impeller | | | 96547325 | 1 | |
| 49c | Bulk, Wear ring (10 pcs) | | | 96534930 | | |
| 55 | Outer sleeve | | Outer diameter: 197 Length (mm): 165,5 | 99001103 | 1 | pcs |
| 58 | Cover | | | 98893158 | 1 | pcs |
| 60 | Bulk, Spring (20 pcs) | | | 96536032 | 4 | pcs |
| - 105 | Bulk, Shaft seal (12 pcs) | | Material type: HQQE | 96984086 | 1 | pcs |
| | Adjusting fork | | | 96587896 | 1 | |
| 109 | Bulk, O-ring (10 pcs) | | | 96547586 | 1 | |
| + 105 | Bulk, Shaft seal (12 pcs) | | Material type: HQQE | 96984070 | 1 | pcs |
| 203 | Bulk, Lock ring (4 pcs) | | | 96534918 | 1 | pcs |