

| Qty. | Description |
|------|-------------|
|------|-------------|

| | |
|---|----------------------|
| 1 | CRN 1-2 A-P-A-E-HQQE |
|---|----------------------|



Product No.: [96516477](#)

Vertical, multistage centrifugal pump with inlet and outlet ports on same the level (inline). Pump materials in contact with the liquid are in high-grade stainless steel. A cartridge shaft seal ensures high reliability, safe handling, and easy access and service. Power transmission is via a rigid split coupling. Pipe connection is via PJE (Victaulic®) couplings.

The pump is fitted with a 3-phase, fan-cooled asynchronous motor.

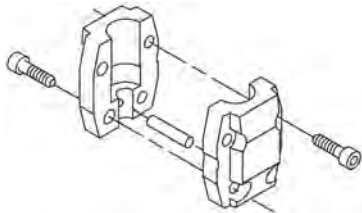
Further product details

Steel, cast iron and aluminium components have an epoxy-based coating made in a cathodic electro-deposition (CED) process. CED is a high-quality dip-painting process where an electrical field around the products ensures deposition of paint particles as a thin, well-controlled layer on the surface. An integral part of the process is a pretreatment. The entire process consists of these elements:

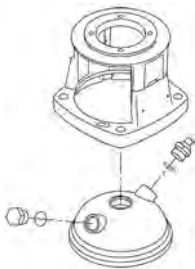
- 1) Alkaline-based cleaning.
 - 2) Zinc phosphating.
 - 3) Cathodic electro-deposition.
 - 4) Curing to a dry film thickness 18-22 my m.
- The colour code for the finished product is NCS 9000/RAL 9005.

Pump

A standard split coupling connects the pump and motor shaft. It is enclosed in the pump head/motor stool by means of two coupling guards.



The pump head and flange for motor mounting is made in one piece (cast iron). The pump head cover is a separate component (stainless steel). The pump head has a combined 1/2" priming plug and vent screw.



The pump is fitted with a balanced O-ring seal unit with a rigid torque-transmission system. This seal type is assembled in a cartridge unit which makes replacement safe and easy. Due to the balancing, this seal type is suitable for high-pressure applications. The cartridge construction also protects the pump shaft from possible wear from a dynamic O-ring between pump shaft and shaft seal.

Primary seal:

- Rotating seal ring material: silicon carbide (SiC)

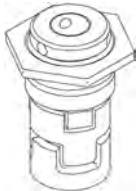
Qty. Description

- Stationary seat material: silicon carbide (SiC)

This material pairing is used where higher corrosion resistance is required. The high hardness of this material pairing offers good resistance against abrasive particles.

Secondary seal material: EPDM (ethylene-propylene rubber)

EPDM has excellent resistance to hot water. EPDM is not suitable for mineral oils.



The shaft seal is screwed into the pump head.

The chambers and impellers are made of stainless-steel sheet. The chambers are provided with a PTFE neck ring offering improved sealing and high efficiency. The impellers have smooth surfaces, and the shape of the blades ensure a high efficiency.

The pump has a stainless-steel base mounted on a separate base plate. The base and base plate are kept in position by the tension of the staybolts which hold the pump together. The outlet side of the base has a combined drain plug and bypass valve. The pump is secured to the foundation by four bolts through the base plate. The base is prepared for connection by means of PJE (Victualic®) couplings.



Motor

The motor is a totally enclosed, fan-cooled motor with principal dimensions to IEC and DIN standards. The motor is flange-mounted with tapped-hole flange (FT).

Motor-mounting designation in accordance with IEC 60034-7: IM B 14 (Code I) / IM 3601 (Code II).

Electrical tolerances comply with IEC 60034.

The motor efficiency is classified as IE3 in accordance with IEC 60034-30-1.

The motor does not incorporate motor protection and must be connected to a motor-protective circuit breaker which can be manually reset. The motor-protective circuit breaker must be set according to the rated current of the motor (I1/1).

Technical data

Controls:

Frequency converter: NONE

Liquid:

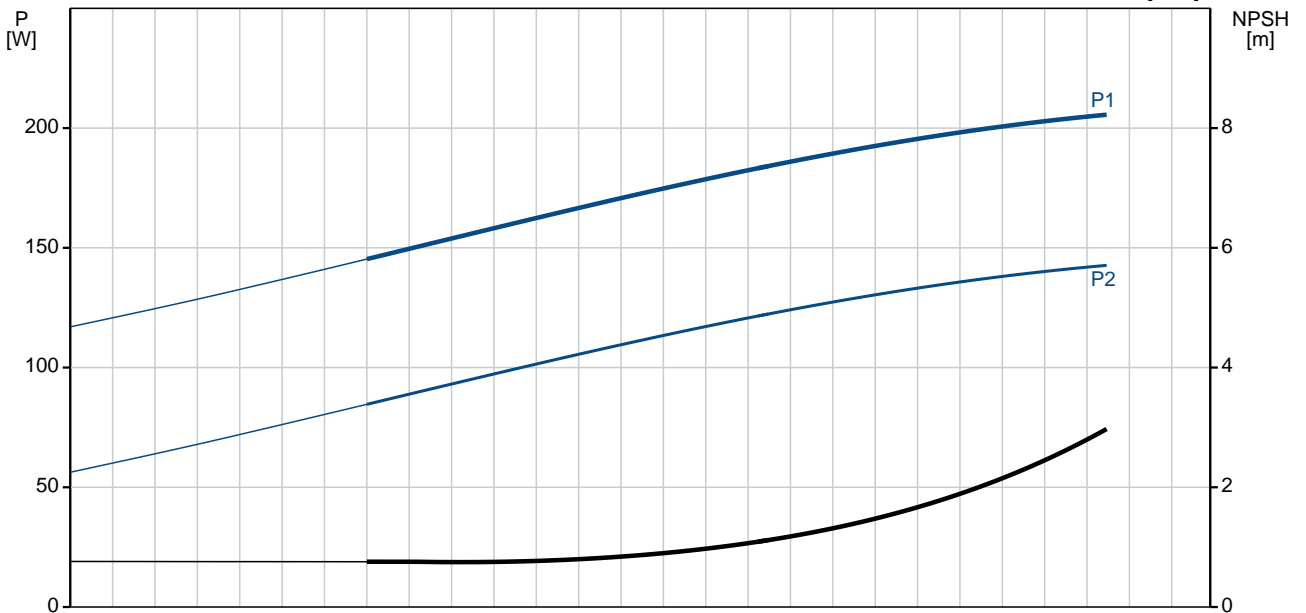
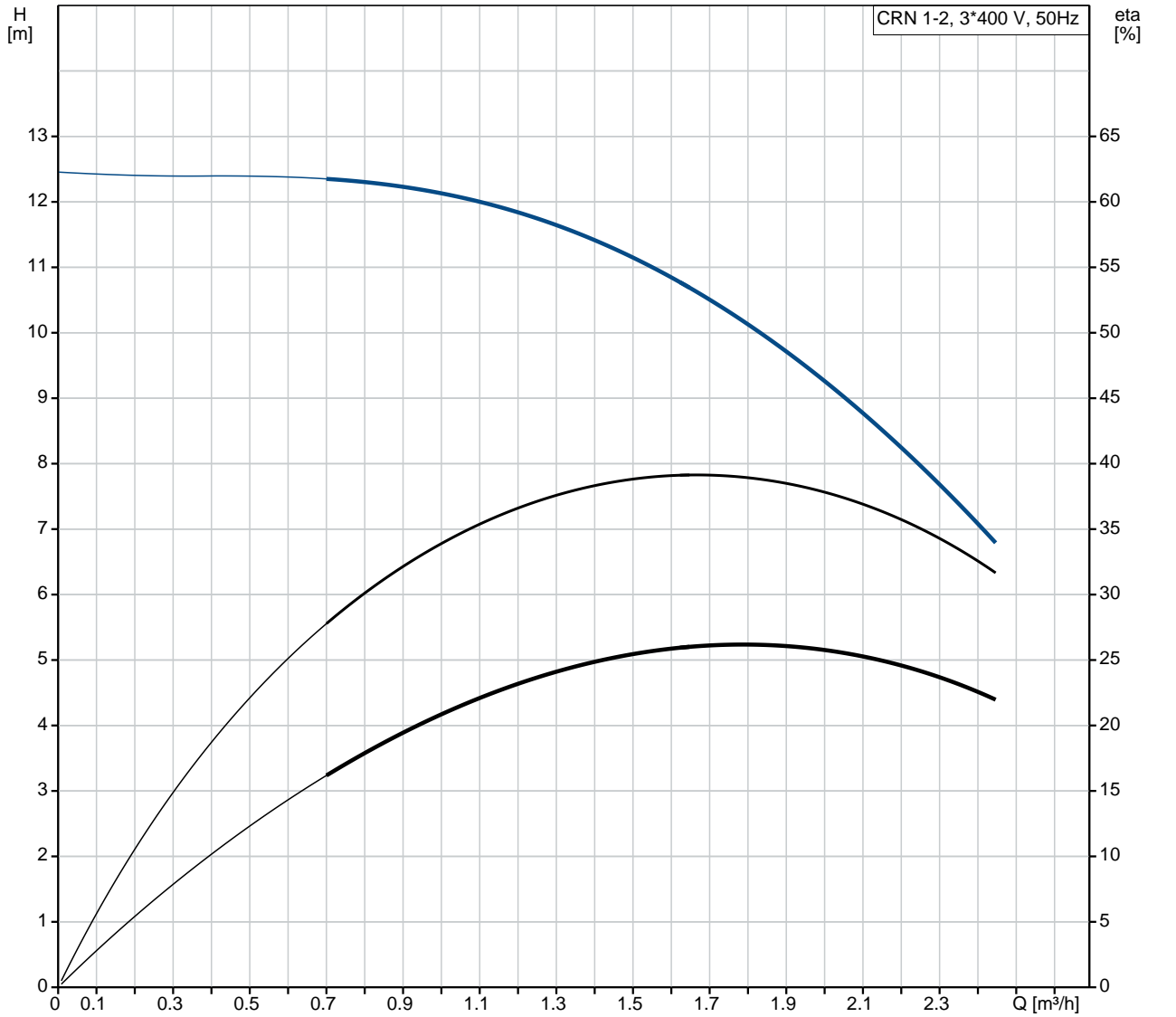
Pumped liquid: Water
 Liquid temperature range: -20 .. 120 °C
 Liquid temperature during operation: 20 °C
 Density: 998.2 kg/m³

Technical:

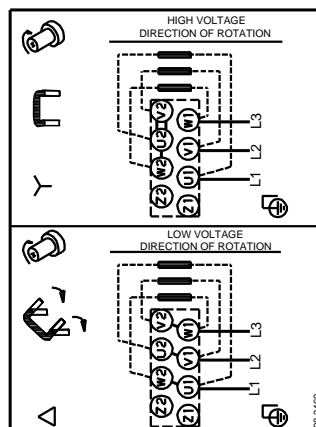
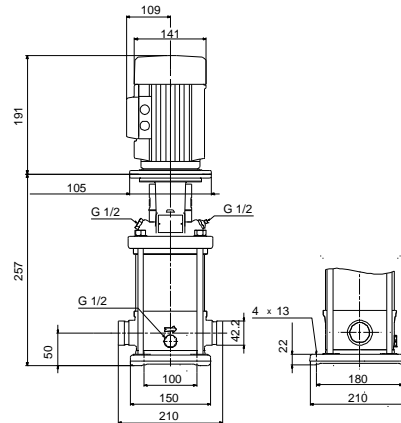
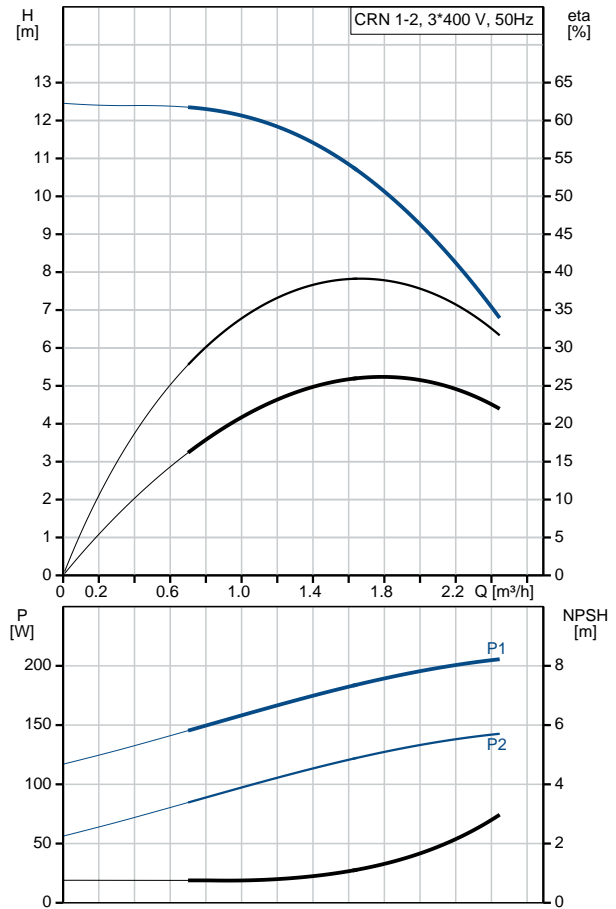
Pump speed on which pump data are based: 2873 rpm
 Rated flow: 1.8 m³/h
 Rated head: 9.8 m

| Qty. | Description |
|------|---|
| | Pump orientation: Vertical Shaft seal arrangement: Single Code for shaft seal: HQQE Approvals on nameplate: CE, EAC,ACS Curve tolerance: ISO9906:2012 3B Materials: Base: Stainless steel EN 1.4408 AISI 316 Impeller: Stainless steel EN 1.4401 AISI 316 Bearing: SIC Installation: Maximum ambient temperature: 40 °C Maximum operating pressure: 25 bar Max pressure at stated temp: 25 bar / 120 °C 25 bar / -20 °C Type of connection: PJE Size of inlet connection: DN 32 1 1/4 inch Size of outlet connection: DN 32 1 1/4 inch Pressure rating for pipe connection: PN 50 Flange size for motor: FT85 Electrical data: Motor standard: IEC Motor type: 71A IE Efficiency class: IE3 Rated power - P2: 0.37 kW Power (P2) required by pump: 0.37 kW Mains frequency: 50 Hz Rated voltage: 3 x 220-240D/380-415Y V Rated current: 1.74/1.00 A Starting current: 490-530 % Cos phi - power factor: 0.80-0.70 Rated speed: 2850-2880 rpm Efficiency: IE3 73,8% Motor efficiency at full load: 73.8 % Motor efficiency at 3/4 load: 79.0 % Motor efficiency at 1/2 load: 75.5 % Number of poles: 2 Enclosure class (IEC 34-5): 55 Dust/Jetting Insulation class (IEC 85): F Others: Minimum efficiency index, MEI $\hat{\alpha}\%$: 0.70 Net weight: 16.4 kg Gross weight: 19.1 kg Shipping volume: 0.054 m ³ Danish VVS No.: 385910002 |

96516477 CRN 1-2 A-P-A-E-HQQE 50 Hz



| Description | Value |
|--|--|
| General information: | |
| Product name: | CRN 1-2 A-P-A-E-HQQE |
| Product No: | 96516477 |
| EAN number: | 5700396744025 |
| Technical: | |
| Pump speed on which pump data are based: | 2873 rpm |
| Rated flow: | 1.8 m ³ /h |
| Rated head: | 9.8 m |
| Head max: | 12.1 m |
| Stages: | 3 |
| Impellers: | 2 |
| Number of reduced-diameter impellers: | 0 |
| Low NPSH: | N |
| Pump orientation: | Vertical |
| Shaft seal arrangement: | Single |
| Code for shaft seal: | HQQE |
| Approvals on nameplate: | CE, EAC, ACS |
| Curve tolerance: | ISO9906:2012 3B |
| Pump version: | A |
| Model: | A |
| Materials: | |
| Base: | Stainless steel EN 1.4408 AISI 316 |
| Impeller: | Stainless steel EN 1.4401 AISI 316 |
| Material code: | A |
| Code for rubber: | E |
| Bearing: | SIC |
| Installation: | |
| Maximum ambient temperature: | 40 °C |
| Maximum operating pressure: | 25 bar |
| Max pressure at stated temp: | 25 bar / 120 °C 25 bar / -20 °C |
| Type of connection: | PJE |
| Size of inlet connection: | DN 32 1 1/4 inch |
| Size of outlet connection: | DN 32 1 1/4 inch |
| Pressure rating for pipe connection: | PN 50 |
| Flange size for motor: | FT85 |
| Connect code: | P |
| Liquid: | |
| Pumped liquid: | Water |
| Liquid temperature range: | -20 .. 120 °C |
| Liquid temperature during operation: | 20 °C |
| Density: | 998.2 kg/m ³ |
| Electrical data: | |
| Motor standard: | IEC |
| Motor type: | 71A |
| IE Efficiency class: | IE3 |
| Rated power - P2: | 0.37 kW |
| Power (P2) required by pump: | 0.37 kW |
| Mains frequency: | 50 Hz |
| Rated voltage: | 3 x 220-240D/380-415Y V |





Company name:

Created by:

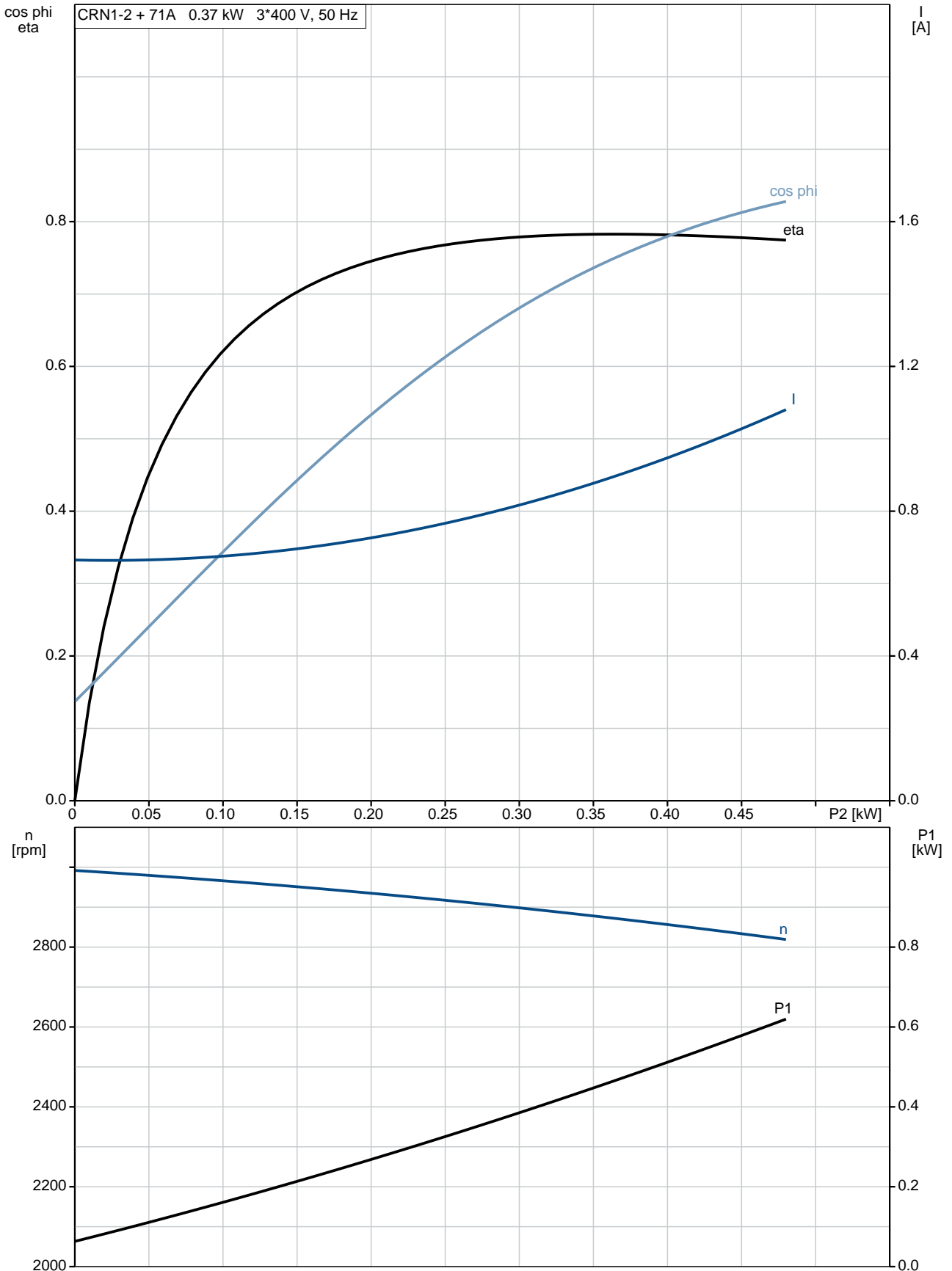
Phone:

Date:

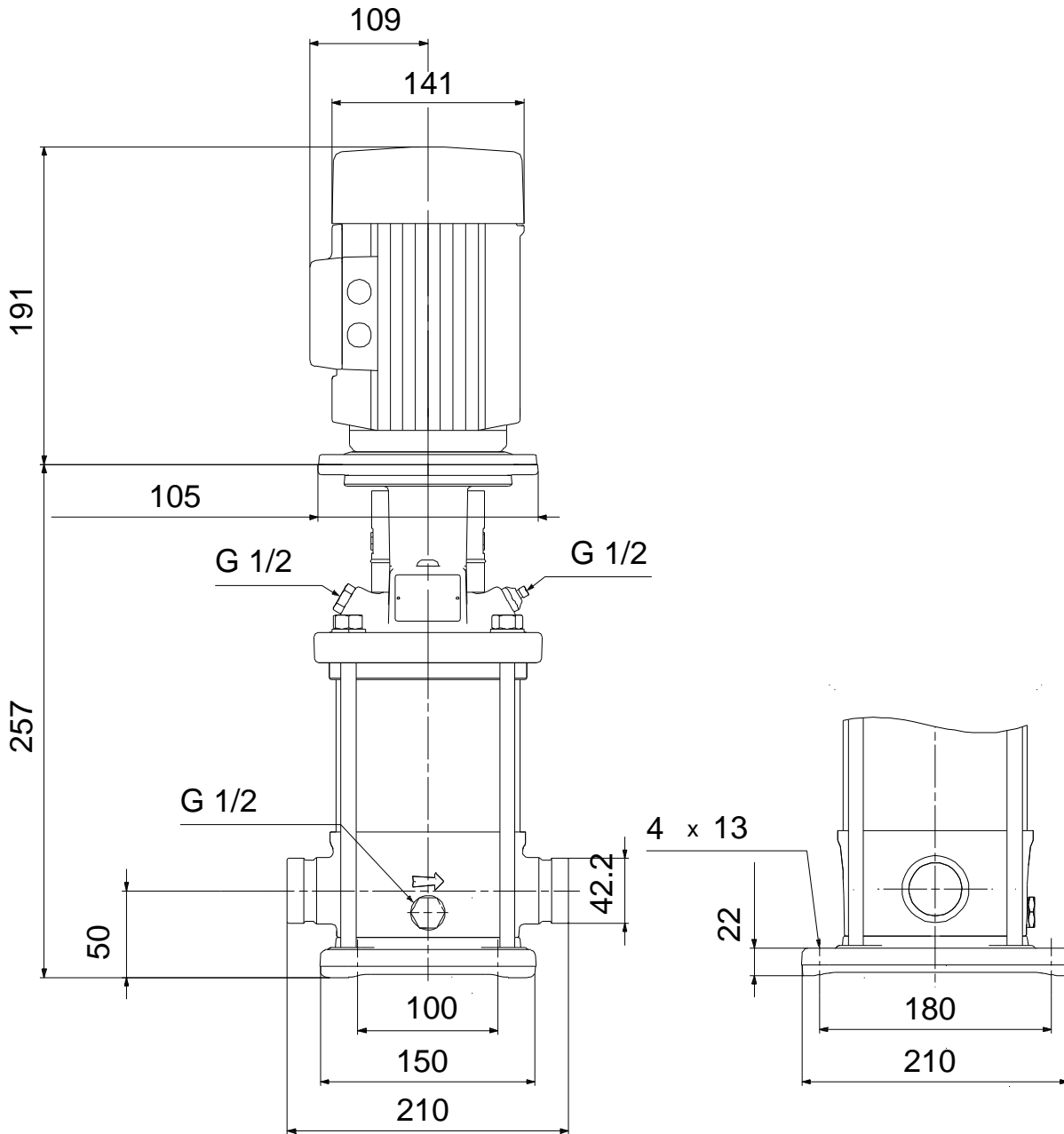
14/02/2019

| Description | Value |
|--|----------------------|
| Rated current: | 1.74/1.00 A |
| Starting current: | 490-530 % |
| Cos phi - power factor: | 0.80-0.70 |
| Rated speed: | 2850-2880 rpm |
| Efficiency: | IE3 73,8% |
| Motor efficiency at full load: | 73.8 % |
| Motor efficiency at 3/4 load: | 79.0 % |
| Motor efficiency at 1/2 load: | 75.5 % |
| Number of poles: | 2 |
| Enclosure class (IEC 34-5): | 55 Dust/Jetting |
| Insulation class (IEC 85): | F |
| Motor protec: | NONE |
| Motor No: | 85805102 |
| Controls: | |
| Frequency converter: | NONE |
| Others: | |
| Minimum efficiency index, MEI η_{min} : | 0.70 |
| Net weight: | 16.4 kg |
| Gross weight: | 19.1 kg |
| Shipping volume: | 0.054 m ³ |
| Danish VVS No.: | 385910002 |

96516477 CRN 1-2 A-P-A-E-HQQE 50 Hz



96516477 CRN 1-2 A-P-A-E-HQQE 50 Hz



Note! All units are in [mm] unless others are stated.
Disclaimer: This simplified dimensional drawing does not show all details.

96516477 CRN 1-2 A-P-A-E-HQQE 50 Hz



98.3169

Note! All units are in [mm] unless others are stated.

(TM069451 for SMCR standard)



(TM030163 0505)



(TM029177)



TM029177)

**Spare parts CRN 1-2, Product No. 96516477
Valid from 1.1.2004 (0401)**

| Pos | Description | Annotation | Classification Data | Part no. | Qty. | Unit |
|-------|---------------------------|------------|--|----------|------|------|
| - 80 | Kit, chamber stack | | Bearing type: SILICON CARBIDE | 96453507 | 1 | pcs |
| - 4a | Chamber w. bearing cpl. | | | | 1 | |
| 4a | Intermediate chamber | | | | | |
| 45 | Neck ring | | | | | |
| 65 | Neck ring retainer | | | | | |
| - 4 | Chamber cpl. | | | | 1 | |
| 4a | Intermediate chamber | | | | | |
| 45 | Neck ring | | | | | |
| 65 | Neck ring retainer | | | | | |
| - 5a | Chamber cpl. | | | | 1 | |
| 4a | Intermediate chamber | | | | | |
| 45 | Neck ring | | | | | |
| 65 | Neck ring retainer | | | | | |
| 47 | Bearing ring, rotating | | | | 1 | |
| 49 | Impeller cpl. | | | | 2 | |
| - 50a | Discharge part | | | | 1 | |
| 50 | Top plate | | | | | |
| 51 | Shaft, spline, cpl. | | | | 1 | |
| 64d | Spacing pipe | | Internal diameter: 12,85 Outer diameter: 15,85 Length (mm): 4,50 | | 1 | |
| 64c | Clamp, splined | | Internal diameter: 8,5 Outer diameter: 15 | | 1 | |
| 66 | Wedge lock washer | | | | 1 | |
| 67 | Lock nut | | Thread: M8 | | 1 | |
| 69 | Spacing bush | | | | 1 | |
| - | Kit, coupling | | | 00415060 | 1 | pcs |
| 9 | Hex socket head cap screw | | Designation: DIN 912 Length (mm): 20 Thread: M6 | | 4 | |
| 10a | Coupling half | | | | 2 | |
| 10 | Shaft pin | | Diameter: 5 Length (mm): 26 | | 1 | |
| - | Kit, coupling guard | | | 96505130 | 1 | pcs |
| 7.a | Combi Slot Torx screw | | | | 4 | |
| 7 | Coupling guard | | | | 2 | |
| - | Kit, gaskets | | | 96455090 | 1 | pcs |
| 37 | O-ring | | | | 2 | |
| 38 | O-ring | | Diameter: 16,3 Material type: EPDM Thickness: 2,4 | | 1 | |
| 38 | O-ring | | Diameter: 16,3 Material type: EPDM Thickness: 2,4 | | 2 | |
| 109 | O-ring | | Diameter: 22,00 Material type: EPDM Thickness: 2,75 | | 1 | |
| - | Kit, plug | | | 96505133 | 1 | pcs |
| - 18 | Air vent screw | | | | 1 | |
| | Spindle | | | | | |
| | Plug | | | | | |
| 23b | Spindle | | | | 1 | |
| 25 | Plug | | | | 1 | |

| Pos | Description | Annotation | Classification Data | Part no. | Qty. | Unit |
|-------|-------------------------------|------------|--------------------------------|----------|------|------|
| 25 | Plug | | | | 1 | |
| 38 | O-ring | | Diameter: 16,3 | | 1 | |
| | | | Material type: FKM | | | |
| | | | Thickness: 2,4 | | | |
| 38 | O-ring | | Diameter: 16,3 | | 2 | |
| | | | Material type: FKM | | | |
| | | | Thickness: 2,4 | | | |
| 38 | O-ring | | Diameter: 16,3 | | 1 | |
| | | | Material type: EPDM | | | |
| | | | Thickness: 2,4 | | | |
| 38 | O-ring | | Diameter: 16,3 | | 2 | |
| | | | Material type: EPDM | | | |
| | | | Thickness: 2,4 | | | |
| - | Kit, shaft seal HQQE | | | 96455086 | 1 | pcs |
| + 105 | Shaft seal | | Material type: HQQE | | 1 | |
| - | Kit, wear parts | | Material type: SILICON CARBIDE | 96455095 | 1 | pcs |
| - 4a | Chamber w. bearing cpl. | | | | 1 | |
| 4a | Intermediate chamber | | | | | |
| 45 | Neck ring | | | | | |
| 65 | Neck ring retainer | | | | | |
| 45 | Neck ring | | | | 8 | |
| 47 | Bearing ring, rotating | | | | 1 | |
| 64d | Spacing pipe | | Internal diameter: 12,85 | | 1 | |
| | | | Outer diameter: 15,85 | | | |
| | | | Length (mm): 4,50 | | | |
| 64c | Clamp, splined | | Internal diameter: 8,5 | | 1 | |
| | | | Outer diameter: 15 | | | |
| 65 | Neck ring retainer | | | | 8 | |
| 66 | Wedge lock washer | | | | 1 | |
| 67 | Lock nut | | Thread: M8 | | 1 | |
| 441b | Gasket | | | | 2 | |
| - | Motor | | | 85900331 | 1 | pcs |
| - | Kit, Ball bearing | | | 96279730 | 1 | |
| 111 | Ball bearing | | Designation: 6204.2Z.C3.SYN | | | |
| 111 | Ball bearing | | | | | |
| 157 | O-ring | | Diameter: 32 | | | |
| | | | Material type: NBR | | | |
| | | | Thickness: 2 | | | |
| 158 | Waved washer | | | | | |
| + | Kit, fan | | | 96279721 | 1 | |
| + | Kit, fan cover | | | 96279720 | 1 | |
| - | Kit, flange | | | 96279727 | 1 | |
| 156b | Flange | | | | | |
| 159c | Seal ring | | | | | |
| 184 | Gasket | | Internal diameter: 114,80 | | | |
| | | | Outer diameter: 121,20 | | | |
| | | | Thickness: 0,25 | | | |
| 185 | Pan head screw | | | | | |
| 186 | Drain plug | | | | | |
| + | Kit, shaft seal | | | 96279722 | 1 | |
| - | Kit, terminal box | | | 96279724 | 1 | |
| 152 | Pan head thread forming screw | | | | | |
| 164a | Terminal box w/gasket | | | | | |
| 164 | Terminal box cover w/gasket | | | | | |
| 173a | Washer | | Designation: SQUARE | | | |
| | | | Internal diameter: 5,5 | | | |
| | | | Outer diameter: 10X10 | | | |
| | | | Thickness: 1,5 | | | |

| Pos | Description | Annotation | Classification Data | Part no. | Qty. | Unit |
|-------|--|------------|---|----------|------|------|
| 173a | Base | | | | | |
| 173 | Pan head thread forming screw | | Designation: COMBI TORX T25 | | | |
| 173 | Pan head screw | | Designation: DIN 7985 | | | |
| 175 | Pan head screw | | Designation: DIN 7985 | | | |
| 176 | Terminal cpl. | | | | | |
| 1a | Pump head | | | 96588196 | 1 | pcs |
| 2 | Pump cover | | | 96588244 | 1 | pcs |
| + 4a | Bulk, Chamber w. bearing cpl. (5 pcs) | | | 97690603 | 1 | pcs |
| + 4a | Bulk, Chamber w. bearing cpl. (5 pcs) | | | 96547661 | 1 | pcs |
| + 4a | Chamber w. bearing cpl. | | | 98371226 | 1 | pcs |
| - 4 | Bulk, Chamber cpl. (5 pcs) | | | 97690021 | 1 | pcs |
| 45 | Bulk, Neck ring (24 pcs) | | | 96536194 | 1 | |
| 65 | Bulk, Neck ring retainer (8 pcs) | | | 99490745 | 1 | |
| 65 | Bulk, Neck ring retainer (24 pcs) | | | 99490747 | 1 | |
| + 4 | Bulk, Chamber cpl. (10 pcs) | | | 96547663 | 1 | pcs |
| + 4 | Chamber cpl. | | | 98371224 | 1 | pcs |
| + 5a | Chamber cpl. | | | 98371222 | 1 | pcs |
| 6 | Base | | | 96588139 | 1 | pcs |
| 7.a | Bulk, Combi Slot Torx screw (1000 pcs) | | | 96886324 | 4 | pcs |
| 10 | Bulk, Shaft pin (10 pcs) | | Diameter: 5 Length (mm): 26 | 96536473 | 1 | pcs |
| + 18 | Bulk, Air vent screw (5 pcs) | | | 96547461 | 1 | pcs |
| + 18 | Air vent screw | | | 95061351 | 1 | pcs |
| 25 | Bulk, Plug (10 pcs) | | | 96536013 | 1 | pcs |
| - 25a | Drain plug w/bypass valve | | | 96588243 | 1 | pcs |
| 38 | Bulk, O-ring (10 pcs) | | Diameter: 16,3 Material type: EPDM Thickness: 2,4 | 99198815 | 1 | |
| 38 | Bulk, O-ring (50 pcs) | | Diameter: 16,3 Material type: EPDM Thickness: 2,4 | 99412727 | 1 | |
| 26 | Staybolt | | Length (mm): 155 Thread: M12 | 98985638 | 4 | pcs |
| 37 | Bulk, O-ring (24 pcs) | | | 96547656 | 2 | pcs |
| 38 | Bulk, O-ring (10 pcs) | | Diameter: 16,3 Material type: EPDM Thickness: 2,4 | 99198815 | 2 | pcs |
| 38 | Bulk, O-ring (50 pcs) | | Diameter: 16,3 Material type: EPDM Thickness: 2,4 | 99412727 | 2 | pcs |
| 47 | Bulk, Bearing ring, rotating (10 pcs) | | | 97905743 | 1 | pcs |
| 47 | Bearing ring, rotating | | | 96547649 | 1 | pcs |
| 49 | Bulk, Impeller cpl. (5 pcs) | | | 98287177 | 2 | pcs |
| 49 | Bulk, Impeller cpl. (10 pcs) | | | 98394264 | 2 | pcs |
| 49 | Bulk, Impeller cpl. (24 pcs) | | | 96547666 | 2 | pcs |
| 49 | Impeller cpl. | | | 98394399 | 2 | pcs |
| 51 | Shaft, spline, cpl. | | | 96588198 | 1 | pcs |
| 55 | Outer sleeve | | | 98811252 | 1 | pcs |
| 56 | Base plate | | | 96588142 | 1 | pcs |
| 60 | Formed wire spring | | | 96547664 | 1 | pcs |
| 64c | Bulk, Clamp, splined (5 pcs) | | Internal diameter: 8,5 Outer diameter: 15 | 98496968 | 1 | pcs |
| 66 | Bulk, Wedge lock washer (10 pcs) | | | 96536157 | 1 | pcs |
| 67 | Bulk, Lock nut (10 pcs) | | Thread: M8 | 98277008 | 1 | pcs |
| 69 | Bulk, Spacing bush (24 pcs) | | | 96536205 | 1 | pcs |
| + 105 | Bulk, Shaft seal (15 pcs) | | Material type: HQQE | 96983415 | 1 | pcs |