

| Qty. | Description |
|------|-------------|
|------|-------------|

|   |                         |
|---|-------------------------|
| 1 | CRN 10-2 A-FGJ-A-E-HQQE |
|---|-------------------------|



Product No.: [96501057](#)

Vertical, multistage centrifugal pump with inlet and outlet ports on same the level (inline). Pump materials in contact with the liquid are in high-grade stainless steel. A cartridge shaft seal ensures high reliability, safe handling, and easy access and service. Power transmission is via a rigid split coupling. Pipe connection is via combined DIN-ANSI-JIS flanges.

The pump is fitted with a 3-phase, fan-cooled asynchronous motor.

### Further product details

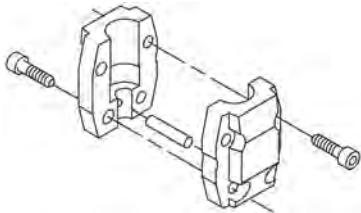
Steel, cast iron and aluminium components have an epoxy-based coating made in a cathodic electro-deposition (CED) process. CED is a high-quality dip-painting process where an electrical field around the products ensures deposition of paint particles as a thin, well-controlled layer on the surface. An integral part of the process is a pretreatment. The entire process consists of these elements:

- 1) Alkaline-based cleaning.
- 2) Zinc phosphating.
- 3) Cathodic electro-deposition.
- 4) Curing to a dry film thickness 18-22 my m.

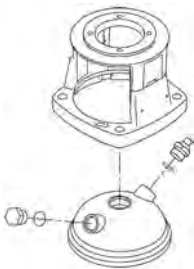
The colour code for the finished product is NCS 9000/RAL 9005.

### Pump

A standard split coupling connects the pump and motor shaft. It is enclosed in the pump head/motor stool by means of two coupling guards.



The pump head and flange for motor mounting is made in one piece (cast iron). The pump head cover is a separate component (stainless steel). The pump head has a combined 1/2" priming plug and vent screw.



The pump is fitted with a balanced O-ring seal unit with a rigid torque-transmission system. This seal type is assembled in a cartridge unit which makes replacement safe and easy. Due to the balancing, this seal type is suitable for high-pressure applications. The cartridge construction also protects the pump shaft from possible wear from a dynamic O-ring between pump shaft and shaft seal.

Primary seal:

- Rotating seal ring material: silicon carbide (SiC)

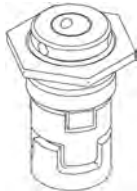
**Qty. Description**

- Stationary seat material: silicon carbide (SiC)

This material pairing is used where higher corrosion resistance is required. The high hardness of this material pairing offers good resistance against abrasive particles.

Secondary seal material: EPDM (ethylene-propylene rubber)

EPDM has excellent resistance to hot water. EPDM is not suitable for mineral oils.



The shaft seal is screwed into the pump head.

The chambers and impellers are made of stainless-steel sheet. The chambers are provided with a PTFE neck ring offering improved sealing and high efficiency. The impellers have smooth surfaces, and the shape of the blades ensure a high efficiency.

The pump has a stainless steel base mounted on a separate base plate. This base and base plate are kept in position by the tension of the staybolts which hold the pump together. The outlet side of the base has a combined drain plug and bypass valve. The pump is secured to the foundation by four bolts through the base plate. The flanges and base are cast in one piece and prepared for connection by means of DIN, ANSI or JIS.

**Motor**

The motor is a totally enclosed, fan-cooled motor with principal dimensions to IEC and DIN standards. The motor is flange-mounted with tapped-hole flange (FT).

Motor-mounting designation in accordance with IEC 60034-7: IM B 14 (Code I) / IM 3601 (Code II).

Electrical tolerances comply with IEC 60034.

The motor efficiency is classified as IE3 in accordance with IEC 60034-30-1.

The motor does not incorporate motor protection and must be connected to a motor-protective circuit breaker which can be manually reset. The motor-protective circuit breaker must be set according to the rated current of the motor (I1/1).

**Technical data**

**Controls:**

Frequency converter: NONE

**Liquid:**

Pumped liquid: Water

Liquid temperature range: -20 .. 120 °C

Liquid temperature during operation: 20 °C

Density: 998.2 kg/m<sup>3</sup>

**Technical:**

Pump speed on which pump data are based: 2864 rpm

Rated flow: 10 m<sup>3</sup>/h

Rated head: 15.3 m

Pump orientation: Vertical

Shaft seal arrangement: Single

Code for shaft seal: HQQE

Approvals on nameplate: CE, EAC, ACS

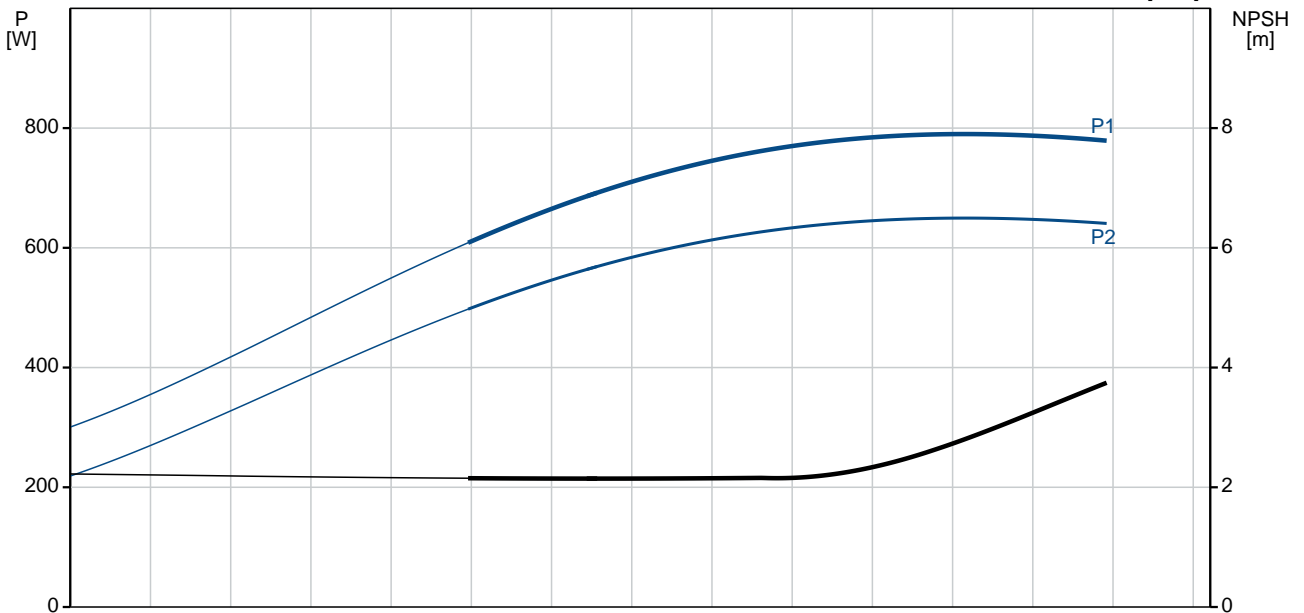
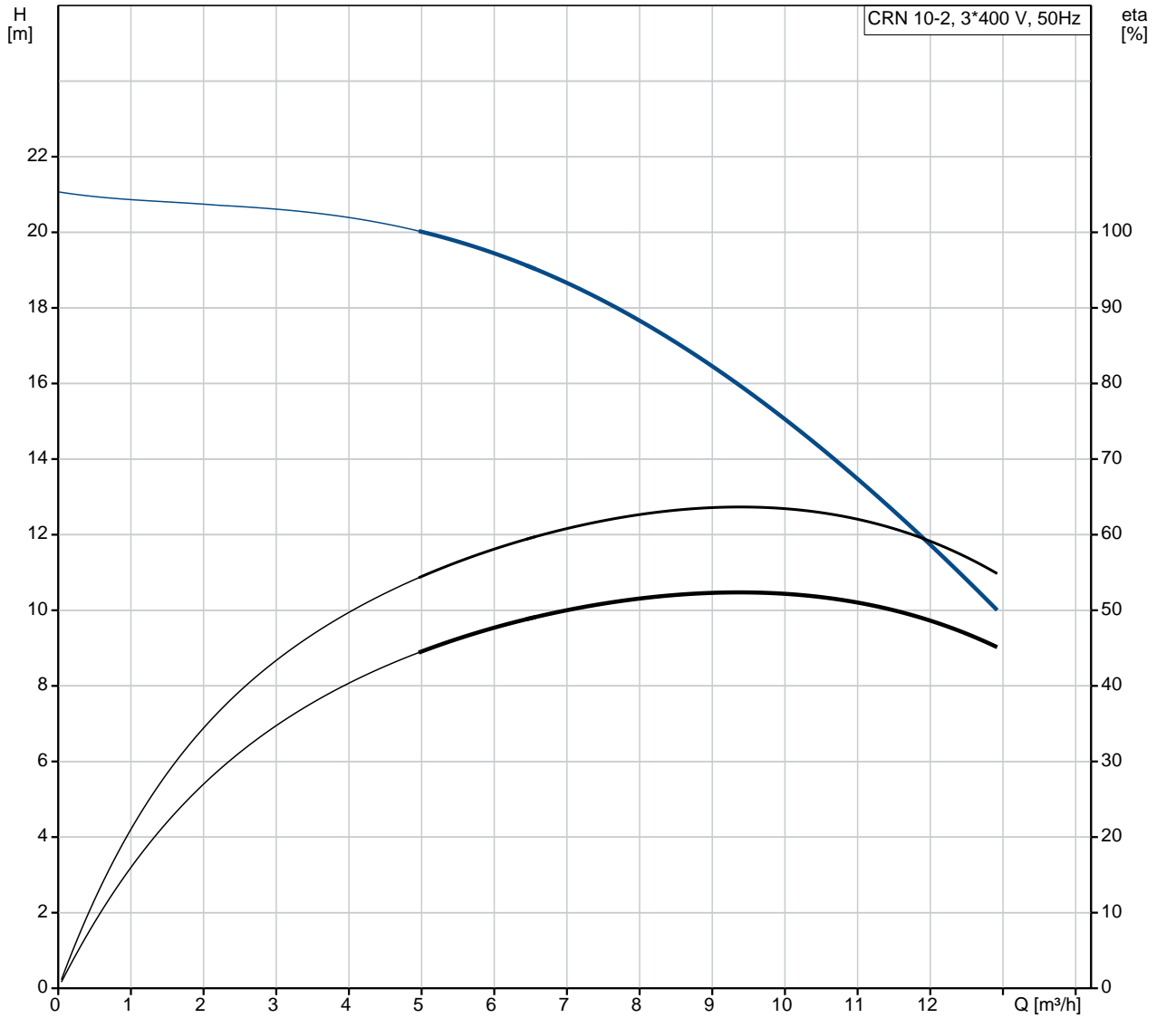
Curve tolerance: ISO9906:2012 3B

**Materials:**

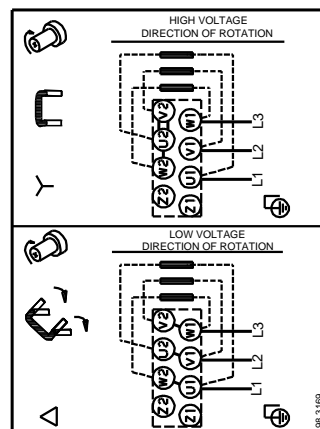
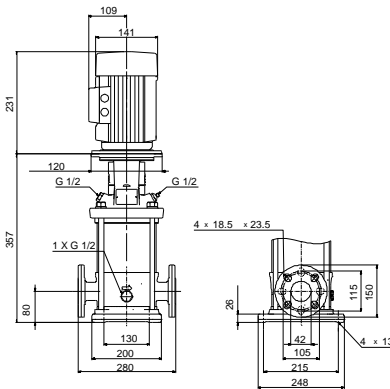
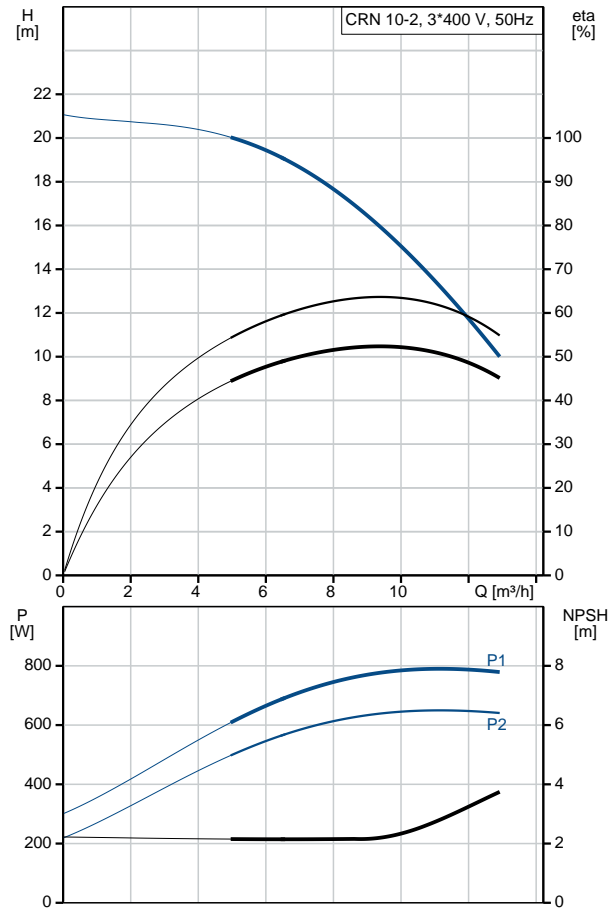
Base: Stainless steel  
EN 1.4408  
AISI 316

| Qty. | Description   |
|------|---|
|      | Impeller: Stainless steel<br>EN 1.4401<br>AISI 316<br>Bearing: SIC<br><br><b>Installation:</b><br>Maximum ambient temperature: 60 °C<br>Maximum operating pressure: 25 bar<br>Max pressure at stated temp: 25 bar / 120 °C<br>25 bar / -20 °C<br>Type of connection: DIN / ANSI / JIS<br>Size of inlet connection: DN 40<br>1 1/2 inch<br>Size of outlet connection: DN 40<br>1 1/2 inch<br>Pressure rating for pipe connection: PN 25<br>Flange rating inlet: 300 lb<br>Flange size for motor: FT100<br><br><b>Electrical data:</b><br>Motor standard: IEC<br>Motor type: 80A<br>IE Efficiency class: IE3<br>Rated power - P2: 0.75 kW<br>Power (P2) required by pump: 0.75 kW<br>Mains frequency: 50 Hz<br>Rated voltage: 3 x 220-240D/380-415Y V<br>Rated current: 3.30/1.90 A<br>Starting current: 580-620 %<br>Cos phi - power factor: 0.81-0.71<br>Rated speed: 2840-2870 rpm<br>Efficiency: IE3 80,7%<br>Motor efficiency at full load: 80.7 %<br>Motor efficiency at 3/4 load: 82.7 %<br>Motor efficiency at 1/2 load: 81.7 %<br>Number of poles: 2<br>Enclosure class (IEC 34-5): 55 Dust/Jetting<br>Insulation class (IEC 85): F<br><br><b>Others:</b><br>Minimum efficiency index, MEI $\hat{\alpha}\%$ : 0.70<br>Net weight: 35 kg<br>Gross weight: 38 kg<br>Shipping volume: 0.08 m <sup>3</sup> |

## 96501057 CRN 10-2 A-FGJ-A-E-HQQE 50 Hz



| Description                              | Value                                    |
|--|--|
| <b>General information:</b>              |  |
| Product name:                            | CRN 10-2<br>A-FGJ-A-E-HQQE               |
| Product No:                              | 96501057                                 |
| EAN number:                              | 5700396214498                            |
| <b>Technical:</b>                        |  |
| Pump speed on which pump data are based: | 2864 rpm                                 |
| Rated flow:                              | 10 m <sup>3</sup> /h                     |
| Rated head:                              | 15.3 m                                   |
| Head max:                                | 20.2 m                                   |
| Stages:                                  | 2  |
| Impellers:                               | 2  |
| Number of reduced-diameter impellers:    | 0  |
| Low NPSH:                                | N  |
| Pump orientation:                        | Vertical                                 |
| Shaft seal arrangement:                  | Single                                   |
| Code for shaft seal:                     | HQQE                                     |
| Approvals on nameplate:                  | CE, EAC, ACS                             |
| Curve tolerance:                         | ISO9906:2012 3B                          |
| Pump version:                            | A  |
| Model:                                   | A  |
| <b>Materials:</b>                        |  |
| Base:                                    | Stainless steel<br>EN 1.4408<br>AISI 316 |
| Impeller:                                | Stainless steel<br>EN 1.4401<br>AISI 316 |
| Material code:                           | A  |
| Code for rubber:                         | E  |
| Bearing:                                 | SIC                                      |
| <b>Installation:</b>                     |  |
| Maximum ambient temperature:             | 60 °C                                    |
| Maximum operating pressure:              | 25 bar                                   |
| Max pressure at stated temp:             | 25 bar / 120 °C<br>25 bar / -20 °C       |
| Type of connection:                      | DIN / ANSI / JIS                         |
| Size of inlet connection:                | DN 40<br>1 1/2 inch                      |
| Size of outlet connection:               | DN 40<br>1 1/2 inch                      |
| Pressure rating for pipe connection:     | PN 25                                    |
| Flange rating inlet:                     | 300 lb                                   |
| Flange size for motor:                   | FT100                                    |
| Connect code:                            | FGJ                                      |
| <b>Liquid:</b>                           |  |
| Pumped liquid:                           | Water                                    |
| Liquid temperature range:                | -20 .. 120 °C                            |
| Liquid temperature during operation:     | 20 °C                                    |
| Density:                                 | 998.2 kg/m <sup>3</sup>                  |
| <b>Electrical data:</b>                  |  |
| Motor standard:                          | IEC                                      |
| Motor type:                              | 80A                                      |
| IE Efficiency class:                     | IE3                                      |
| Rated power - P2:                        | 0.75 kW                                  |
| Power (P2) required by pump:             | 0.75 kW                                  |
| Mains frequency:                         | 50 Hz                                    |





Company name:

Created by:

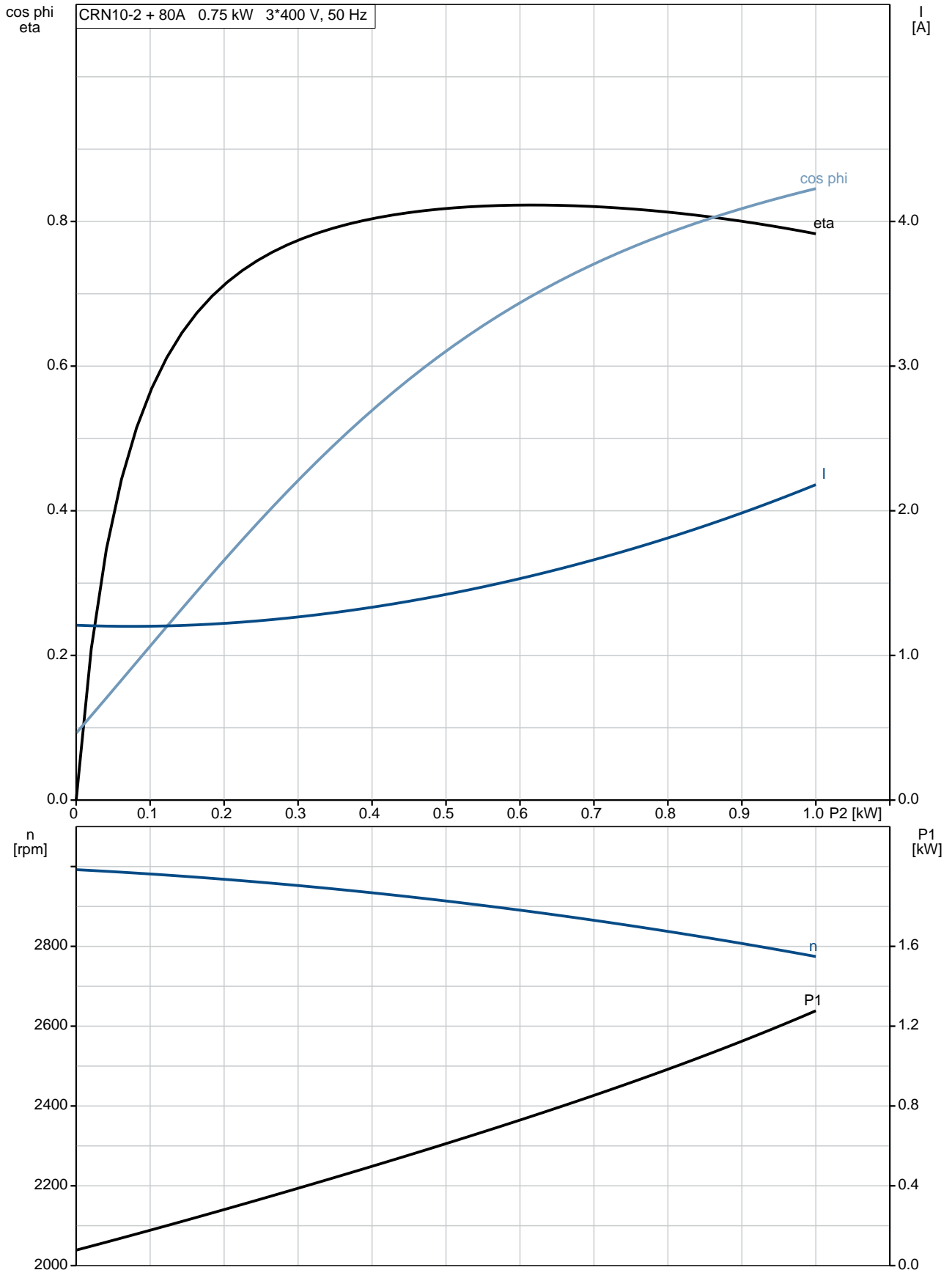
Phone:

Date:

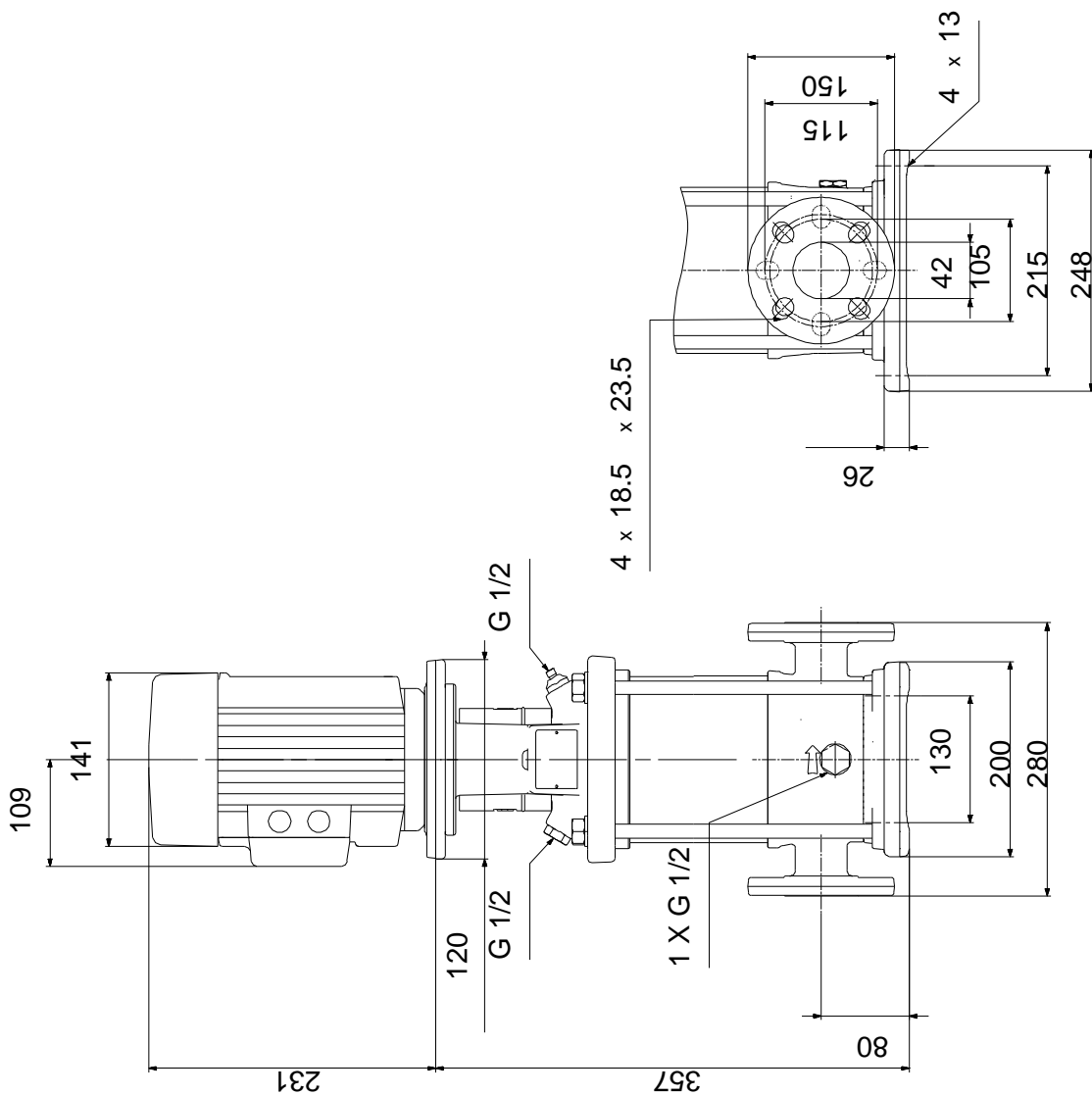
16/02/2019

| Description                                      | Value                      |
|--|----------------------------|
| Rated voltage:                                   | 3 x 220-240D/380-415Y<br>V |
| Rated current:                                   | 3.30/1.90 A                |
| Starting current:                                | 580-620 %                  |
| Cos phi - power factor:                          | 0.81-0.71                  |
| Rated speed:                                     | 2840-2870 rpm              |
| Efficiency:                                      | IE3 80,7%                  |
| Motor efficiency at full load:                   | 80.7 %                     |
| Motor efficiency at 3/4 load:                    | 82.7 %                     |
| Motor efficiency at 1/2 load:                    | 81.7 %                     |
| Number of poles:                                 | 2                          |
| Enclosure class (IEC 34-5):                      | 55 Dust/Jetting            |
| Insulation class (IEC 85):                       | F                          |
| Motor protec:                                    | NONE                       |
| Motor No:  | 85U05104                   |
| <b>Controls:</b>                                 |                            |
| Frequency converter:                             | NONE                       |
| <b>Others:</b>                                   |                            |
| Minimum efficiency index, MEI $\hat{\alpha}\%$ : | 0.70                       |
| Net weight:                                      | 35 kg                      |
| Gross weight:                                    | 38 kg                      |
| Shipping volume:                                 | 0.08 m <sup>3</sup>        |

## 96501057 CRN 10-2 A-FGJ-A-E-HQQE 50 Hz



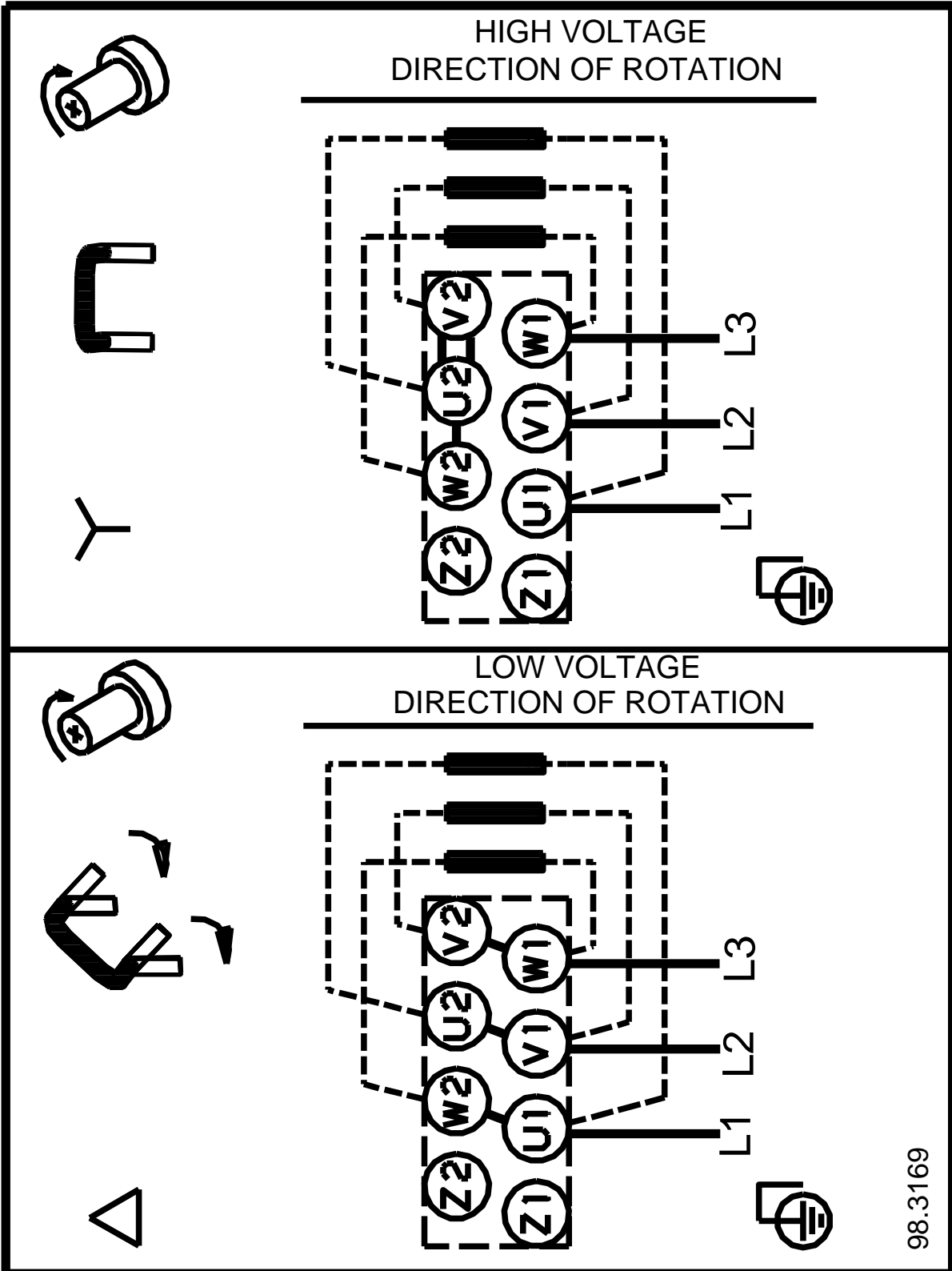
## 96501057 CRN 10-2 A-FGJ-A-E-HQQE 50 Hz



Note! All units are in [mm] unless others are stated.  
Disclaimer: This simplified dimensional drawing does not show all details.

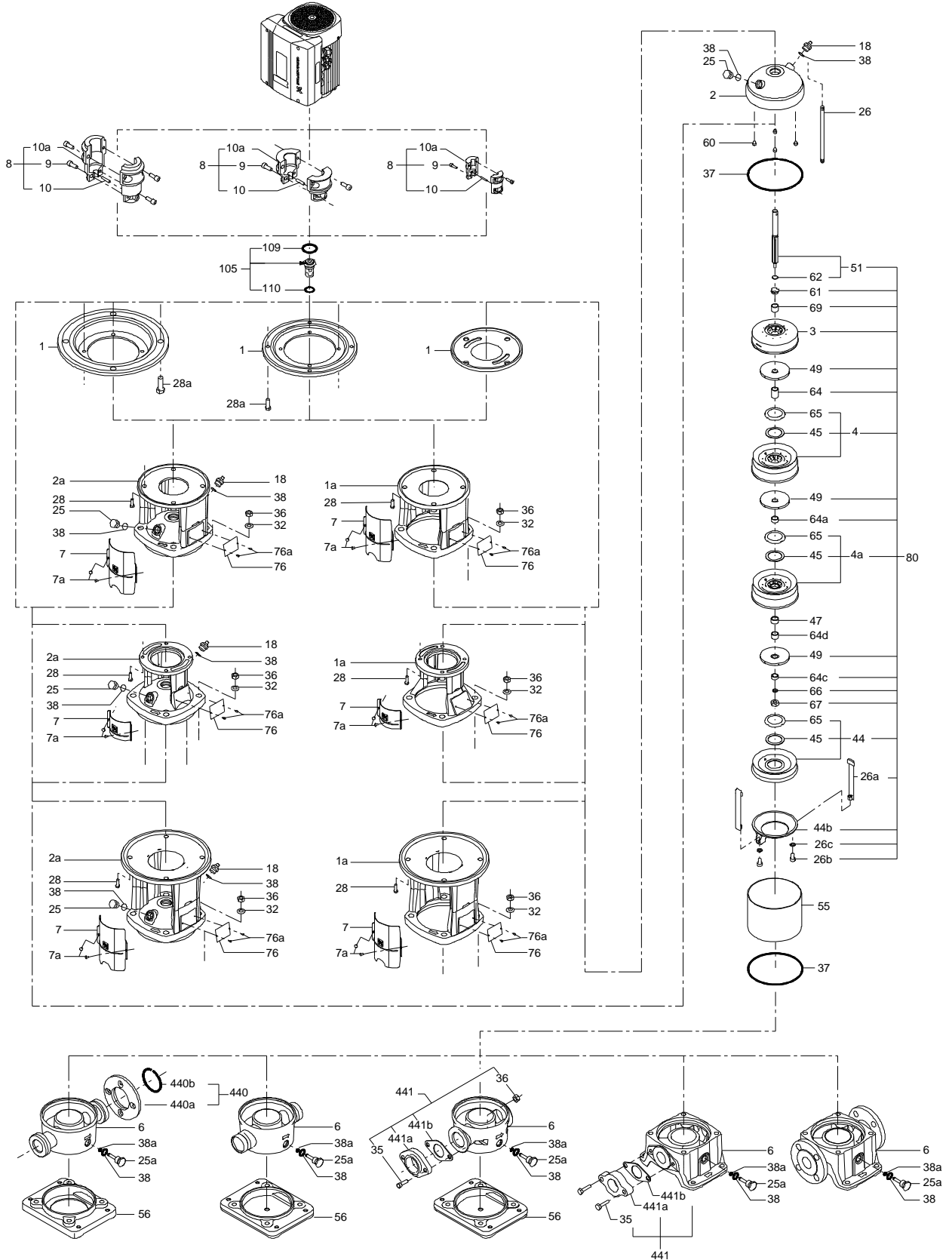


**96501057 CRN 10-2 A-FGJ-A-E-HQQE 50 Hz**

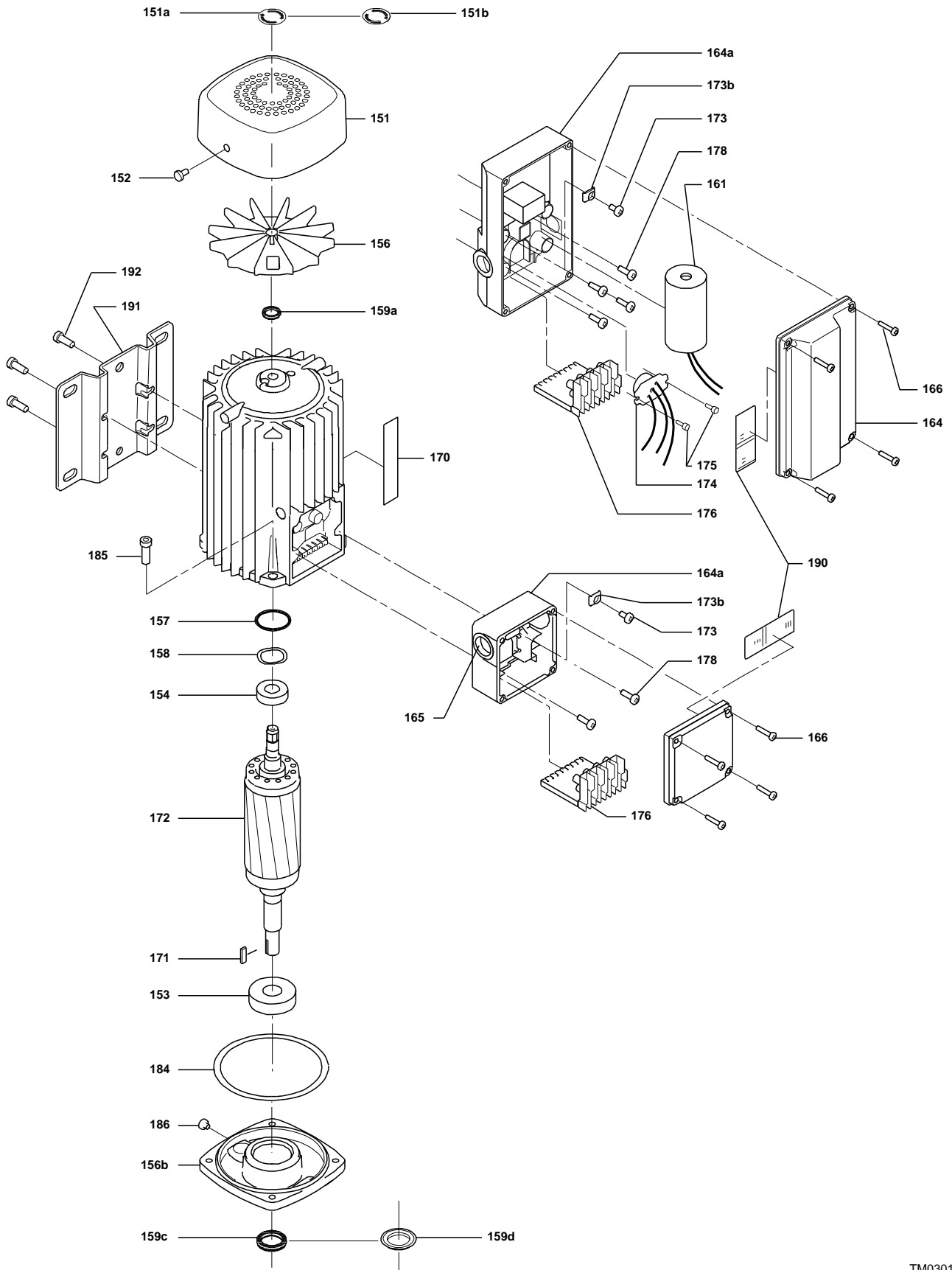


Note! All units are in [mm] unless others are stated.

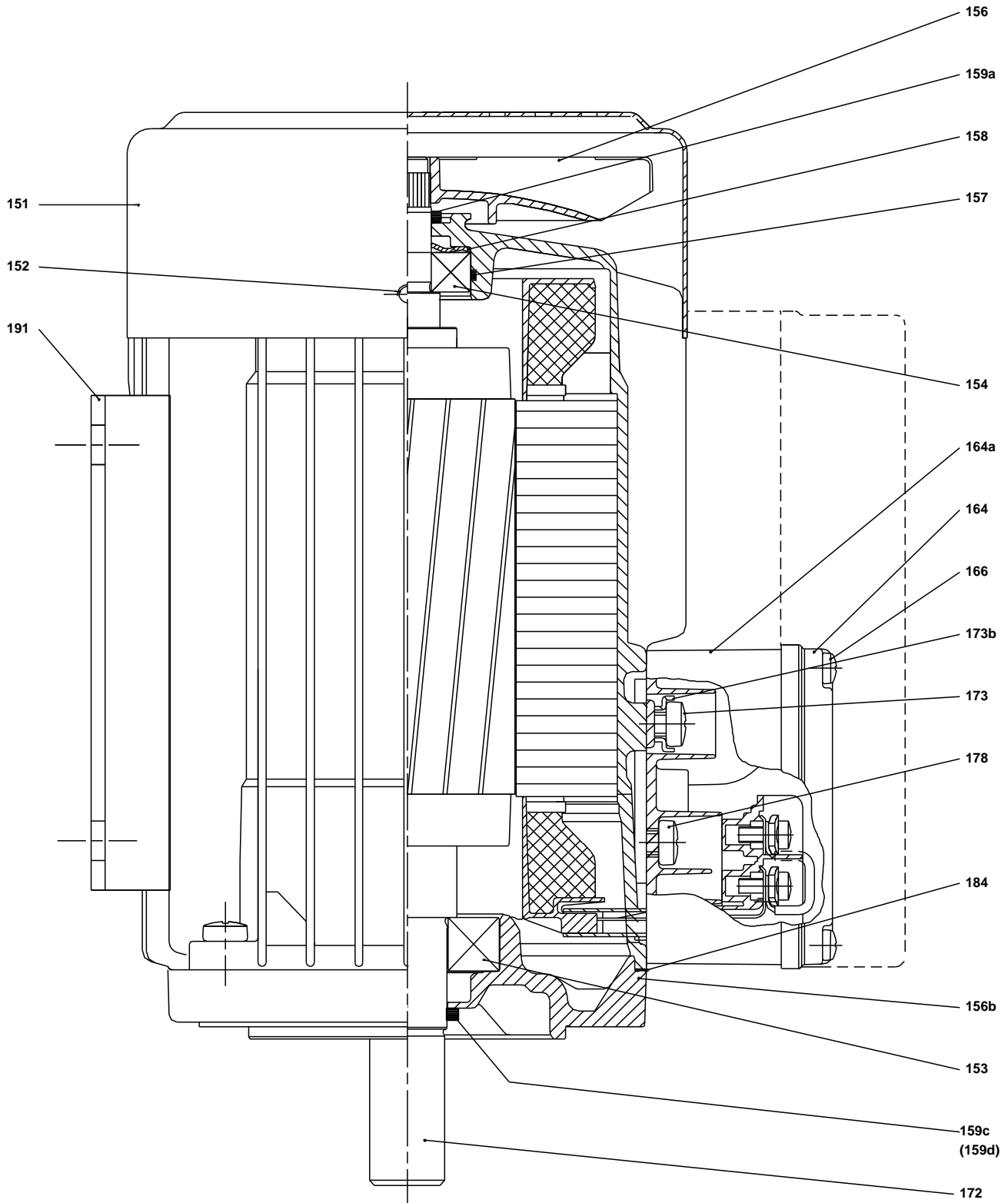
( tm069460 for MECR 10 standard)



(TM030163 0505)

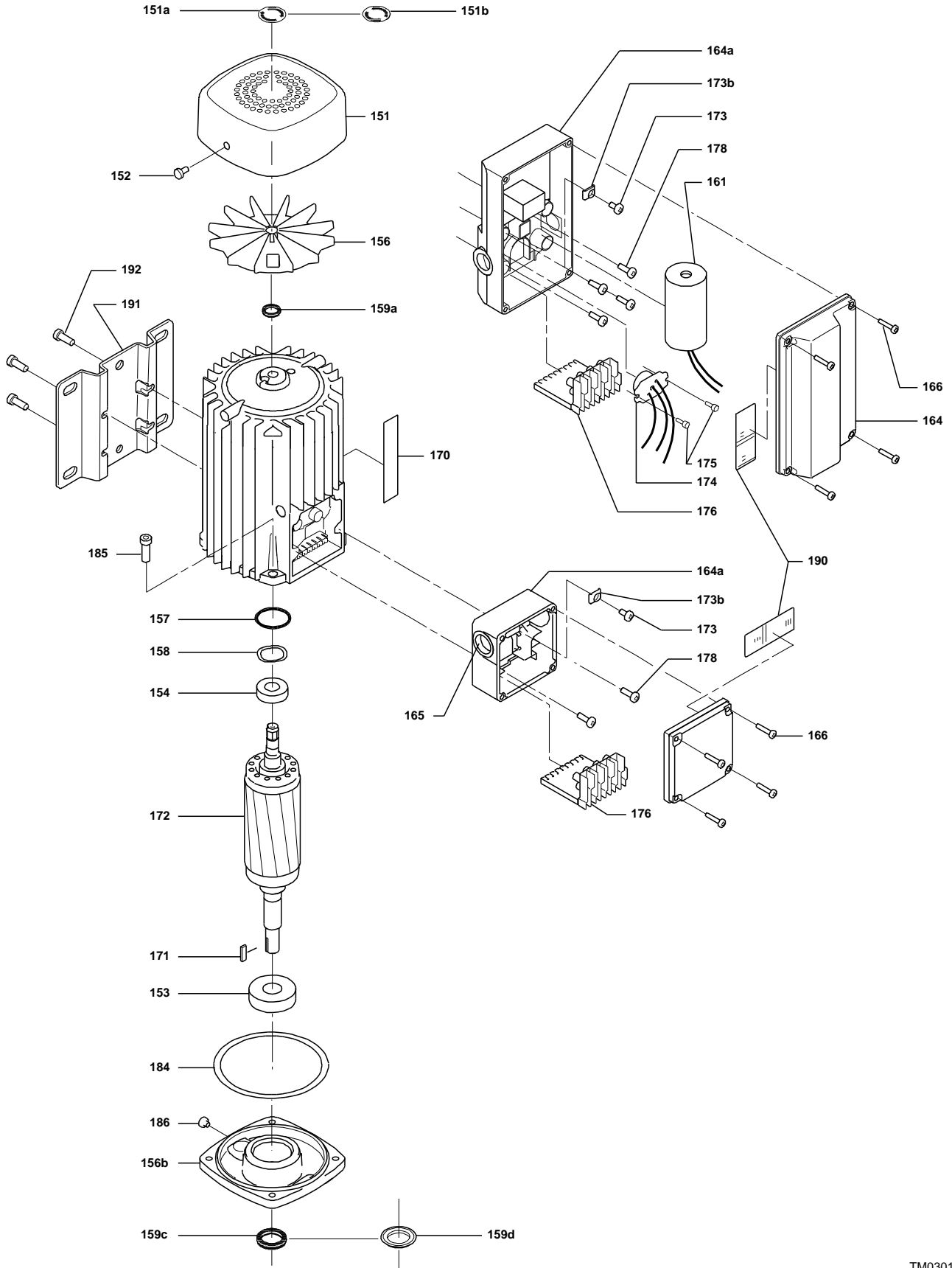


(TM029177)

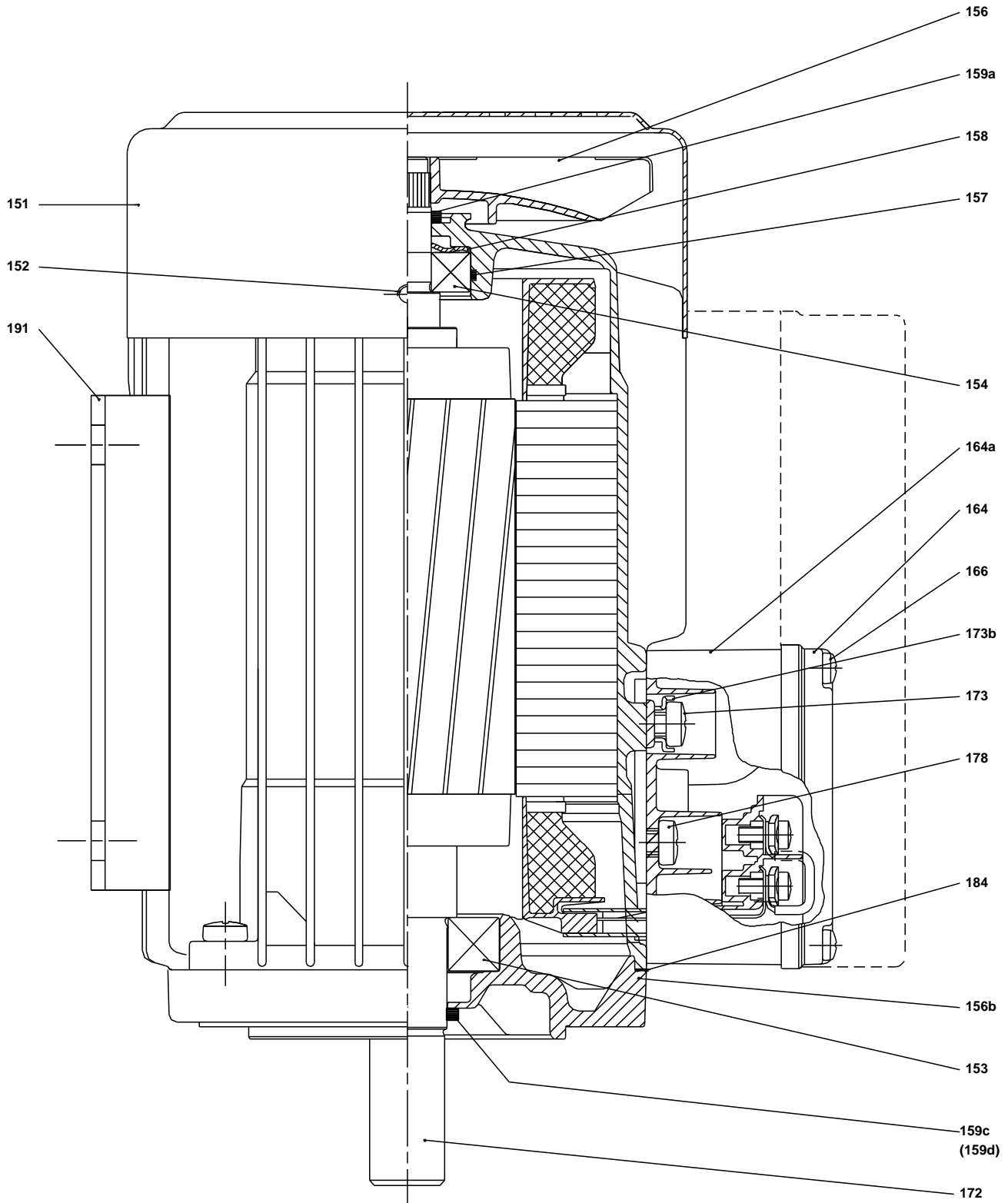


TM029177)

(TM030163 0505)



(TM029177)



TM029177)

**Spare parts CRN 10-2, Product No. 96501057**  
**Valid from 1.1.2011 (1152)**

| Pos   | Description               | Annotation | Classification Data                                    | Part no. | Qty. | Unit |
|-------|---------------------------|------------|--|----------|------|------|
| -     | Kit, chamber stack        |            |  | 96491721 | 1    | pcs  |
| - 80  | Chamber stack             |            |  |          | 1    |      |
| - 3   | Top intermediate chamber  |            |  |          |      |      |
|       | Guide vane                |            |  |          |      |      |
|       | Cover plate               |            |  |          |      |      |
| 3     | Top intermediate chamber  |            |  |          |      |      |
| - 4a  | Intermediate chamber cpl. |            |  |          |      |      |
|       | Sand Lifter               |            |  |          |      |      |
|       | Guide cup                 |            |  |          |      |      |
|       | Bearing plate             |            |  |          |      |      |
|       | Guide vane                |            |  |          |      |      |
| 3     | Intermediate chamber      |            |  |          |      |      |
| 45    | Neck ring cpl.            |            |  |          |      |      |
| 47    | Bearing bush              |            |  |          |      |      |
| 65    | Retainer                  |            |  |          |      |      |
| 26a   | Strap cpl.                |            |  |          |      |      |
| 26.c  | Washer                    |            | Designation: DIN 125A<br>Thickness: 1,6                |          |      |      |
| 26.b  | Hex head screw            |            |  |          |      |      |
| 44b   | Inlet part                |            |  |          |      |      |
| - 44a | Inlet part cpl.           |            |  |          |      |      |
|       | Inlet part                |            |  |          |      |      |
| 45    | Neck ring cpl.            |            |  |          |      |      |
| 65    | Retainer                  |            |  |          |      |      |
| 47    | Bearing ring              |            |  |          |      |      |
| 49    | Impeller cpl.             |            |  |          |      |      |
| - 51  | Shaft, spline, cpl.       |            |  |          |      |      |
| 62    | Retaining ring            |            |  |          |      |      |
| 64a   | Spacer                    |            |  |          |      |      |
| 64a   | Spacing bush              |            | Length (mm): 9.00                                      |          |      |      |
| 64.d  | Spacing pipe              |            | Length (mm): 12.7                                      |          |      |      |
| 66    | Wedge lock washer         |            |  |          |      |      |
| 67    | Lock nut                  |            | Thread: M8   |          |      |      |
| 69    | Spacing bush              |            | Length (mm): 18.00                                     |          |      |      |
| -     | Kit, coupling             |            |  | 96511317 | 1    | pcs  |
|       | Adjusting fork            |            |  |          | 1    |      |
| 9     | Hex socket head cap screw |            | Designation: DIN 912<br>Length (mm): 20<br>Thread: M6  |          | 4    |      |
| 10a   | Coupling half             |            |  |          | 2    |      |
| 10    | Shaft pin                 |            | Diameter: 5<br>Length (mm): 26                         |          | 1    |      |
| -     | Kit, coupling guard       |            |  | 96509611 | 1    | pcs  |
| 7.a   | Combi Slot Torx screw     |            |  |          | 4    |      |
| 7     | Coupling guard            |            |  |          | 2    |      |
| -     | Kit, gaskets              |            |  | 96509609 | 1    | pcs  |
|       | Gasket                    |            |  |          | 2    |      |
| 24    | O-ring                    |            |  |          | 2    |      |
| 37    | O-ring                    |            |  |          | 2    |      |
| 38a   | O-ring                    |            | Diameter: 5,3<br>Material type: EPDM<br>Thickness: 2,4 |          | 1    |      |
| 38    | O-ring                    |            | Diameter: 16,3   |          | 1    |      |

| Pos  | Description               | Annotation | Classification Data   | Part no. | Qty. | Unit |
|------|---------------------------|------------|-----------------------|----------|------|------|
|      |                           |            | Material type: EPDM   |          |      |      |
|      |                           |            | Thickness: 2,4        |          |      |      |
| 38   | O-ring                    |            | Diameter: 16,3        |          | 2    |      |
|      |                           |            | Material type: EPDM   |          |      |      |
|      |                           |            | Thickness: 2,4        |          |      |      |
| 60   | Spring                    |            |                       |          | 4    |      |
| 415  | Gasket                    |            |                       |          | 2    |      |
| 441b | Gasket                    |            | Internal diameter: 49 |          | 2    |      |
|      |                           |            | Outer diameter: 92    |          |      |      |
|      |                           |            | Thickness: 2          |          |      |      |
| -    | Kit, plug                 |            |                       | 96511312 | 1    | pcs  |
| - 18 | Air vent screw            |            |                       |          | 1    |      |
|      | Spindle                   |            |                       |          |      |      |
|      | Plug                      |            |                       |          |      |      |
| 25a  | Drain plug                |            |                       |          | 1    |      |
| 25   | Plug                      |            |                       |          | 1    |      |
| 38a  | O-ring                    |            | Diameter: 5,3         |          | 1    |      |
|      |                           |            | Material type: FKM    |          |      |      |
|      |                           |            | Thickness: 2,4        |          |      |      |
| 38a  | O-ring                    |            | Diameter: 5,3         |          | 1    |      |
|      |                           |            | Material type: EPDM   |          |      |      |
|      |                           |            | Thickness: 2,4        |          |      |      |
| 38   | O-ring                    |            | Diameter: 16,3        |          | 1    |      |
|      |                           |            | Material type: FKM    |          |      |      |
|      |                           |            | Thickness: 2,4        |          |      |      |
| 38   | O-ring                    |            | Diameter: 16,3        |          | 2    |      |
|      |                           |            | Material type: FKM    |          |      |      |
|      |                           |            | Thickness: 2,4        |          |      |      |
| 38   | O-ring                    |            | Diameter: 16,3        |          | 1    |      |
|      |                           |            | Material type: EPDM   |          |      |      |
|      |                           |            | Thickness: 2,4        |          |      |      |
| 38   | O-ring                    |            | Diameter: 16,3        |          | 2    |      |
|      |                           |            | Material type: EPDM   |          |      |      |
|      |                           |            | Thickness: 2,4        |          |      |      |
| -    | Kit, shaft seal HQQE      |            |                       | 96511844 | 1    | pcs  |
|      | Emery cloth               |            |                       |          | 1    |      |
|      | Grinding device           |            |                       |          | 1    |      |
| 105  | Shaft seal                |            | Material type: HQQE   |          | 1    |      |
| -    | Kit, wear parts           |            |                       | 96511889 | 1    | pcs  |
| - 4a | Intermediate chamber cpl. |            |                       |          | 1    |      |
|      | Sand Lifter               |            |                       |          |      |      |
|      | Guide cup                 |            |                       |          |      |      |
|      | Bearing plate             |            |                       |          |      |      |
|      | Guide vane                |            |                       |          |      |      |
| 3    | Intermediate chamber      |            |                       |          |      |      |
| 45   | Neck ring cpl.            |            |                       |          |      |      |
| 47   | Bearing bush              |            |                       |          |      |      |
| 65   | Retainer                  |            |                       |          |      |      |
| 26.c | Washer                    |            | Designation: DIN 125A |          | 2    |      |
|      |                           |            | Thickness: 1,6        |          |      |      |
| 26.b | Hex head screw            |            |                       |          | 2    |      |
| 45   | Neck ring cpl.            |            |                       |          | 7    |      |
| 47   | Bearing ring              |            |                       |          | 1    |      |
| 62   | Retaining ring            |            |                       |          | 1    |      |
| 64c  | Spacing pipe              |            | Length (mm): 12.7     |          | 1    |      |
| 64a  | Spacing bush              |            | Length (mm): 9.00     |          | 1    |      |
| 64.d | Spacer                    |            |                       |          | 1    |      |
| 65   | Retainer                  |            |                       |          | 7    |      |
| 66   | Wedge lock washer         |            |                       |          | 1    |      |





Company name:

Created by:

Phone:

Date:

16/02/2019

| Pos  | Description                   | Annotation | Classification Data         | Part no. | Qty. | Unit |
|------|-------------------------------|------------|-----------------------------|----------|------|------|
| 67   | Lock nut                      |            | Thread: M8                  |          | 1    |      |
| -    | Motor                         |            |                             | 85903982 | 1    | pcs  |
| -    | Kit, Ball bearing             |            |                             | 96279730 | 1    |      |
| 111  | Ball bearing                  |            | Designation: 6204.2Z.C3.SYN |          |      |      |
| 111  | Ball bearing                  |            |                             |          |      |      |
| 157  | O-ring                        |            | Diameter: 32                |          |      |      |
|      |                               |            | Material type: NBR          |          |      |      |
|      |                               |            | Thickness: 2                |          |      |      |
| 158  | Waved washer                  |            |                             |          |      |      |
| -    | Kit, fan                      |            |                             | 96279721 | 1    |      |
| 156  | Fan                           |            |                             |          |      |      |
| 159a | Seal ring                     |            |                             |          |      |      |
| -    | Kit, fan cover                |            |                             | 96279720 | 1    |      |
| 151  | Fan cover                     |            |                             |          |      |      |
| 152  | Pan head thread forming screw |            |                             |          |      |      |
| -    | Kit, flange                   |            |                             | 96279854 | 1    |      |
| 156b | Flange                        |            |                             |          |      |      |
| 159c | Seal ring                     |            |                             |          |      |      |
| 184  | Gasket                        |            | Internal diameter: 114,80   |          |      |      |
|      |                               |            | Outer diameter: 121,20      |          |      |      |
|      |                               |            | Thickness: 0,25             |          |      |      |
| 185  | Pan head screw                |            |                             |          |      |      |
| 186  | Drain plug                    |            |                             |          |      |      |
| -    | Kit, shaft seal               |            |                             | 96279722 | 1    |      |
| 159c | Seal ring                     |            |                             |          |      |      |
| 159a | Seal ring                     |            |                             |          |      |      |
| -    | Kit, terminal box             |            |                             | 96279724 | 1    |      |
| 152  | Pan head thread forming screw |            |                             |          |      |      |
| 164a | Terminal box w/gasket         |            |                             |          |      |      |
| 164  | Terminal box cover w/gasket   |            |                             |          |      |      |
| 173a | Washer                        |            | Designation: SQUARE         |          |      |      |
|      |                               |            | Internal diameter: 5,5      |          |      |      |
|      |                               |            | Outer diameter: 10X10       |          |      |      |
|      |                               |            | Thickness: 1,5              |          |      |      |
| 173a | Base                          |            |                             |          |      |      |
| 173  | Pan head thread forming screw |            | Designation: COMBI TORX T25 |          |      |      |
| 173  | Pan head screw                |            | Designation: DIN 7985       |          |      |      |
| 175  | Pan head screw                |            | Designation: DIN 7985       |          |      |      |
| 176  | Terminal cpl.                 |            |                             |          |      |      |
| -    | Motor                         |            |                             | 85900490 | 1    | pcs  |
| -    | Kit, Ball bearing             |            |                             | 96279730 | 1    |      |
| 111  | Ball bearing                  |            | Designation: 6204.2Z.C3.SYN |          |      |      |
| 111  | Ball bearing                  |            |                             |          |      |      |
| 157  | O-ring                        |            | Diameter: 32                |          |      |      |
|      |                               |            | Material type: NBR          |          |      |      |
|      |                               |            | Thickness: 2                |          |      |      |
| 158  | Waved washer                  |            |                             |          |      |      |
| -    | Kit, fan                      |            |                             | 96279721 | 1    |      |
| 156  | Fan                           |            |                             |          |      |      |
| 159a | Seal ring                     |            |                             |          |      |      |
| -    | Kit, fan cover                |            |                             | 96279720 | 1    |      |
| 151  | Fan cover                     |            |                             |          |      |      |
| 152  | Pan head thread forming screw |            |                             |          |      |      |
| -    | Kit, flange                   |            |                             | 96279854 | 1    |      |
| 156b | Flange                        |            |                             |          |      |      |
| 159c | Seal ring                     |            |                             |          |      |      |
| 184  | Gasket                        |            | Internal diameter: 114,80   |          |      |      |
|      |                               |            | Outer diameter: 121,20      |          |      |      |



Company name:

Created by:

Phone:

Date:

16/02/2019

| Pos   | Description                            | Annotation | Classification Data  | Part no. | Qty. | Unit |
|-------|--|------------|--|----------|------|------|
|       |  |            | Thickness: 0,25  |          |      |      |
| 185   | Pan head screw                         |            |  |          |      |      |
| 186   | Drain plug                             |            |  |          |      |      |
| -     | Kit, shaft seal                        |            |  | 96279722 | 1    |      |
| 159c  | Seal ring                              |            |  |          |      |      |
| 159a  | Seal ring                              |            |  |          |      |      |
| -     | Kit, terminal box                      |            |  | 96279724 | 1    |      |
| 152   | Pan head thread forming screw          |            |  |          |      |      |
| 164a  | Terminal box w/gasket                  |            |  |          |      |      |
| 164   | Terminal box cover w/gasket            |            |  |          |      |      |
| 173a  | Washer                                 |            | Designation: SQUARE<br>Internal diameter: 5,5<br>Outer diameter: 10X10<br>Thickness: 1,5 |          |      |      |
| 173a  | Base                                   |            |  |          |      |      |
| 173   | Pan head thread forming screw          |            | Designation: COMBI TORX T25  |          |      |      |
| 173   | Pan head screw                         |            | Designation: DIN 7985  |          |      |      |
| 175   | Pan head screw                         |            | Designation: DIN 7985  |          |      |      |
| 176   | Terminal cpl.                          |            |  |          |      |      |
| 1a    | Pump head                              |            |  | 98824713 | 1    | pcs  |
| 2     | Pump cover                             |            |  | 98481138 | 1    | pcs  |
| + 3   | Top intermediate chamber               |            |  | 98371084 | 1    | pcs  |
| - 4a  | Intermediate chamber cpl.              |            |  | 98371088 | 1    | pcs  |
| 3     | Intermediate chamber                   |            |  | 98371064 | 1    |      |
| 6     | Base                                   |            |  | 98892305 | 1    | pcs  |
| 7.a   | Bulk, Combi Slot Torx screw (1000 pcs) |            |  | 96886324 | 4    | pcs  |
| 10    | Bulk, Shaft pin (10 pcs)               |            | Diameter: 5<br>Length (mm): 26   | 96536473 | 1    | pcs  |
| + 18  | Bulk, Air vent screw (5 pcs)           |            |  | 96547461 | 1    | pcs  |
| + 18  | Air vent screw                         |            |  | 95061351 | 1    | pcs  |
| 25    | Bulk, Plug (10 pcs)                    |            |  | 96536013 | 1    | pcs  |
| 26a   | Strap cpl.                             |            |  | 98984427 | 2    | pcs  |
| 26.c  | Bulk, Washer (4 pcs)                   |            | Designation: DIN 125A<br>Thickness: 1,6  | 99262704 | 2    | pcs  |
| 26.c  | Washer                                 |            | Designation: DIN 125A<br>Thickness: 1,6  | 96586880 | 2    | pcs  |
| 26    | Staybolt                               |            |  | 98925107 | 4    | pcs  |
| 37.a  | Bulk, O-ring (20 pcs)                  |            |  | 96538857 | 1    | pcs  |
| 38a   | Bulk, O-ring (10 pcs)                  |            | Diameter: 5,3<br>Material type: EPDM<br>Thickness: 2,4                                   | 99198791 | 1    | pcs  |
| 38    | Bulk, O-ring (10 pcs)                  |            | Diameter: 16,3<br>Material type: EPDM<br>Thickness: 2,4                                  | 99198815 | 2    | pcs  |
| 38    | Bulk, O-ring (50 pcs)                  |            | Diameter: 16,3<br>Material type: EPDM<br>Thickness: 2,4                                  | 99412727 | 2    | pcs  |
| 44b   | Inlet part                             |            |  | 98814593 | 1    | pcs  |
| + 44a | Inlet part cpl.                        |            |  | 98890953 | 1    | pcs  |
| 47    | Bulk, Bearing ring (10 pcs)            |            |  | 96538795 | 1    | pcs  |
| 49    | Impeller cpl.                          |            |  | 98459841 | 1    | pcs  |
| - 51  | Shaft, spline, cpl.                    |            |  | 98368625 | 1    | pcs  |
| 62    | Retaining ring                         |            |  | 96588022 | 1    |      |
| 55    | Outer sleeve                           |            |  | 98812631 | 1    | pcs  |
| 56    | Base plate                             |            |  | 98824711 | 1    | pcs  |
| 60    | Bulk, Spring (20 pcs)                  |            |  | 96538963 | 4    | pcs  |
| 64a   | Bulk, Spacer (20 pcs)                  |            |  | 97516851 | 1    | pcs  |
| 64a   | Bulk, Spacing bush (20 pcs)            |            | Length (mm): 9.00  | 96538950 | 1    | pcs  |



Company name:

Created by:

Phone:

Date:

16/02/2019

| Pos  | Description                      | Annotation | Classification Data | Part no. | Qty. | Unit |
|------|----------------------------------|------------|---------------------|----------|------|------|
| 64.d | Bulk, Spacing pipe (5 pcs)       |            | Length (mm): 12.7   | 97980241 | 1    | pcs  |
| 66   | Bulk, Wedge lock washer (10 pcs) |            |                     | 96536157 | 1    | pcs  |
| 67   | Bulk, Lock nut (10 pcs)          |            | Thread: M8          | 98277008 | 1    | pcs  |
| 69   | Bulk, Spacing bush (20 pcs)      |            | Length (mm): 18.00  | 96538948 | 1    | pcs  |
| 76a  | Bulk, Rivet (100 pcs)            |            |                     | 96620489 | 1    | pcs  |
| 105  | Bulk, Shaft seal (11 pcs)        |            | Material type: HQQE | 96538914 | 1    | pcs  |
| 203  | Helical compression spring       |            |                     | 96547671 | 2    | pcs  |