

**Qty. Description**

1 CR 45-1 A-F-A-E-HQQE



Note! Product picture may differ from actual product

Product No.: [96122797](#)

Vertical, multistage centrifugal pump with inlet and outlet ports on same the level (inline). The pump head and base are in cast iron – all other wetted parts are in stainless steel. A cartridge shaft seal ensures high reliability, safe handling, and easy access and service. Power transmission is via a rigid split coupling. Pipe connection is via DIN flanges.

The pump is fitted with a 3-phase, fan-cooled asynchronous motor.

### Further product details

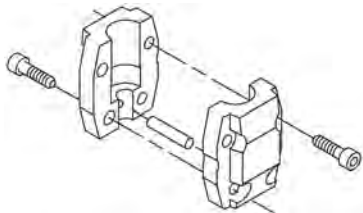
Steel, cast iron and aluminium components have an epoxy-based coating made in a cathodic electro-deposition (CED) process. CED is a high-quality dip-painting process where an electrical field around the products ensures deposition of paint particles as a thin, well-controlled layer on the surface. An integral part of the process is a pretreatment. The entire process consists of these elements:

- 1) Alkaline-based cleaning.
- 2) Zinc phosphating.
- 3) Cathodic electro-deposition.
- 4) Curing to a dry film thickness 18-22 my m.

The colour code for the finished product is NCS 9000/RAL 9005.

### Pump

A standard split coupling connects the pump and motor shaft. It is enclosed in the pump head/motor stool by means of two coupling guards.



The motor stool connects the pump head and motor. The pump head has a combined 1/2" priming plug and vent screw.



The pump is fitted with a balanced O-ring seal unit with a rigid torque-transmission system. This seal type is assembled in a cartridge unit which makes replacement safe and easy. Due to the balancing, this seal type is suitable for high-pressure applications. The cartridge construction also protects the pump shaft from possible wear from a dynamic O-ring between pump shaft and shaft seal.

Primary seal:

- Rotating seal ring material: silicon carbide (SiC)
- Stationary seat material: silicon carbide (SiC)

This material pairing is used where higher corrosion resistance is required. The high hardness of this material pairing offers good resistance against abrasive particles.

Secondary seal material: EPDM (ethylene-propylene rubber)

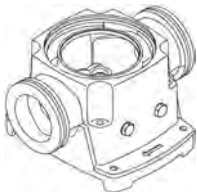
EPDM has excellent resistance to hot water. EPDM is not suitable for mineral oils.



The shaft seal is retained in the pump head by a cover and screws. It can be replaced without removing the motor.

The chambers and impellers are made of stainless-steel sheet. The chambers are provided with a PTFE neck ring offering improved sealing and high efficiency. The impellers have smooth surfaces, and the shape of the blades ensure a high efficiency.

The base is made of cast iron. Both the inlet and the outlet side of the base have two pressure gauge tapings. The pump is secured to the foundation by four bolts through the base plate. The flanges are fastened to the base by means of locking rings.



## Motor

The motor is a totally enclosed, fan-cooled motor with principal dimensions to IEC and DIN standards. The motor is flange-mounted with tapped-hole flange (FT).

Motor-mounting designation in accordance with IEC 60034-7: IM B 14 (Code I) / IM 3601 (Code II).

Electrical tolerances comply with IEC 60034.

The motor efficiency is classified as IE3 in accordance with IEC 60034-30-1.

The motor has thermistors (PTC sensors) in the windings in accordance with DIN 44081/DIN 44082. The protection reacts to both slow- and quick-rising temperatures, e.g. constant overload and stalled conditions.

Thermal switches must be connected to an external control circuit in a way which ensures that the automatic reset cannot cause accidents. The motors must be connected to a motor-protective circuit breaker according to local regulations.

The motor can be connected to a variable speed drive for adjustment of pump performance to any duty point. Grundfos CUE offers a range of variable speed drives. Please find more information in Grundfos Product Center.

Qty.	Description
	<p><b>Technical data</b></p> <p><b>Controls:</b>            Frequency converter: NONE</p> <p><b>Liquid:</b>            Pumped liquid: Water            Liquid temperature range: -30 .. 120 °C            Liquid temperature during operation: 20 °C            Density: 998.2 kg/m<sup>3</sup></p> <p><b>Technical:</b>            Pump speed on which pump data are based: 2917 rpm            Rated flow: 45 m<sup>3</sup>/h            Rated head: 19.1 m            Pump orientation: Vertical            Shaft seal arrangement: Single            Code for shaft seal: HQQE            Approvals on nameplate: CE, EAC,ACS            Curve tolerance: ISO9906:2012 3B</p> <p><b>Materials:</b>            Base: Cast iron                      EN 1563 EN-GJS-500-7                      ASTM A536 80-55-06            Impeller: Stainless steel                      EN 1.4301                      AISI 304            Bearing: SIC            Support bearing: Graflon</p> <p><b>Installation:</b>            Maximum ambient temperature: 60 °C            Maximum operating pressure: 16 bar            Max pressure at stated temp: 16 bar / 120 °C              16 bar / -30 °C            Type of connection: DIN            Size of inlet connection: DN 80            Size of outlet connection: DN 80            Pressure rating for pipe connection: PN 40            Flange size for motor: FT130</p> <p><b>Electrical data:</b>            Motor standard: IEC            Motor type: 112MC            IE Efficiency class: IE3            Rated power - P2: 4 kW            Power (P2) required by pump: 4 kW            Mains frequency: 50 Hz            Rated voltage: 3 x 380-415D V            Rated current: 7.9 A            Starting current: 1000-1110 %            Cos phi - power factor: 0.87-0.87            Rated speed: 2920-2940 rpm            Efficiency: IE3 88,1%            Motor efficiency at full load: 88.1 %            Motor efficiency at 3/4 load: 88.6 %            Motor efficiency at 1/2 load: 85.2 %            Number of poles: 2</p>



Company name:

Created by:

Phone:

Date:

17/02/2019

Qty.	Description
------	-------------

	Enclosure class (IEC 34-5): 55 Dust/Jetting
	Insulation class (IEC 85): F

**Others:**

Minimum efficiency index, MEI  $\hat{a}\%{\text{¥}}$ : 0.70

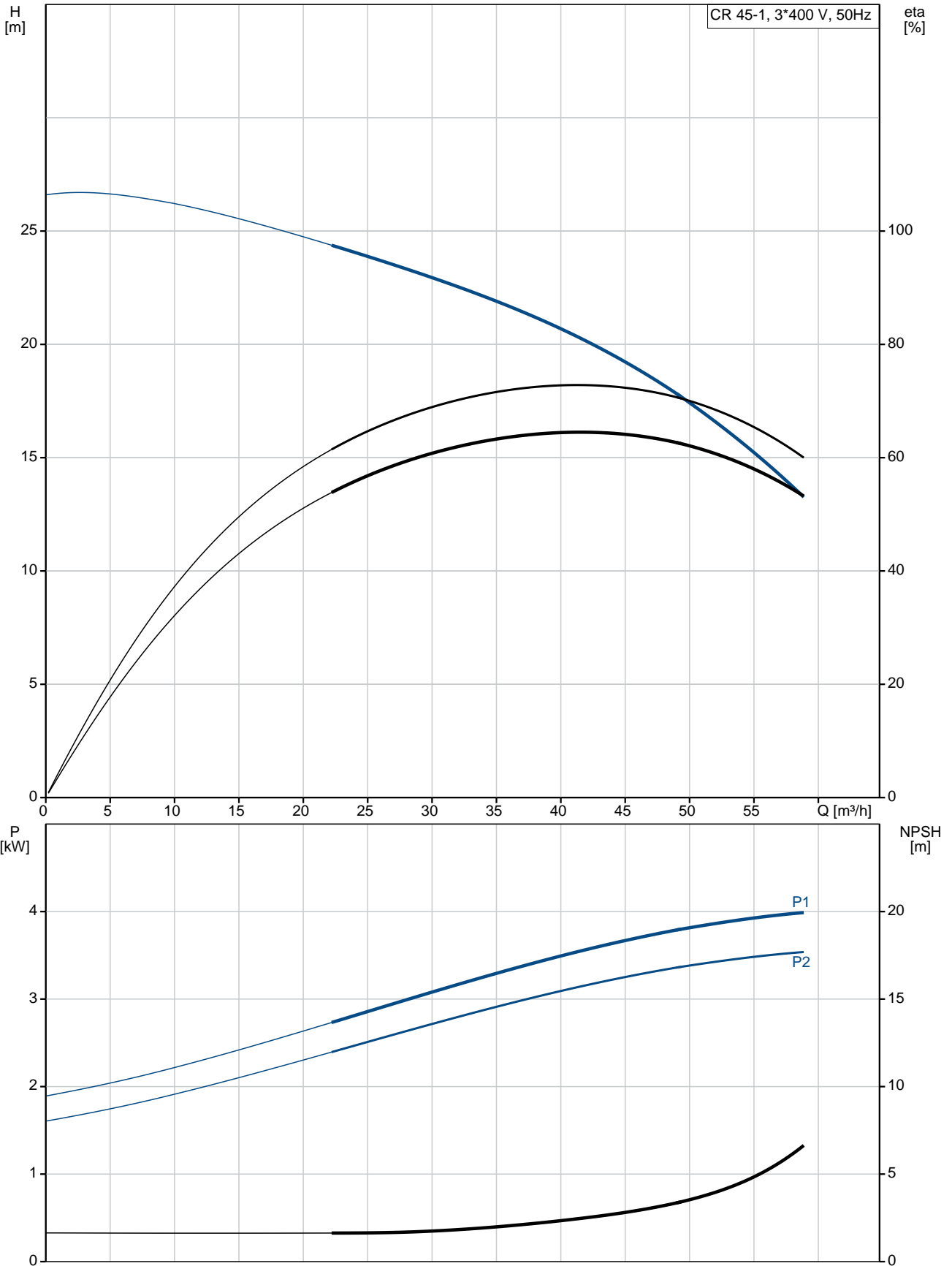
Net weight: 93.3 kg

Gross weight: 116 kg

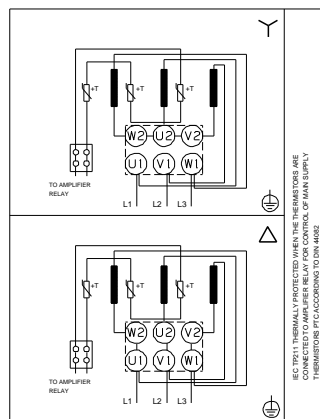
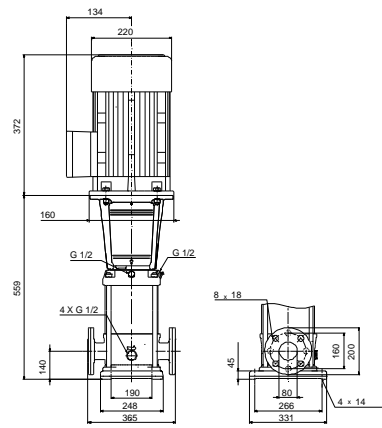
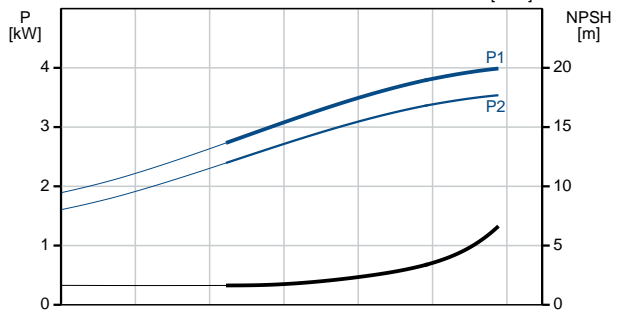
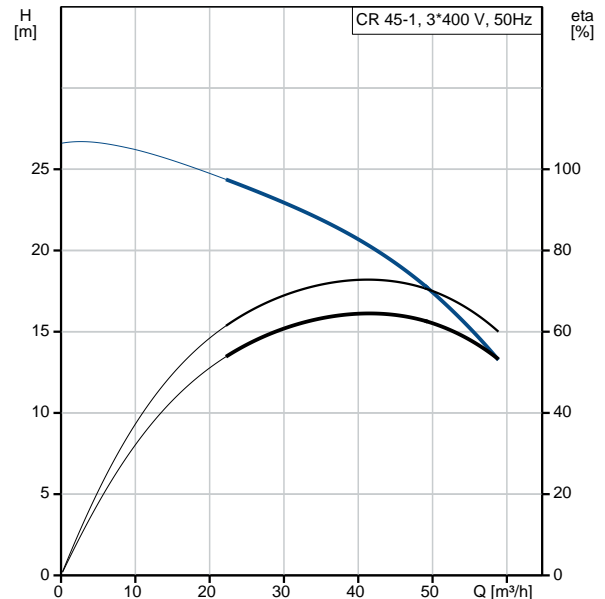
Shipping volume: 0.309 m<sup>3</sup>

Danish VVS No.: 385907010

## 96122797 CR 45-1 A-F-A-E-HQQE 50 Hz



Description	Value
<b>General information:</b>	
Product name:	CR 45-1 A-F-A-E-HQQE
Product No:	96122797
EAN number:	5700396688411
<b>Technical:</b>	
Pump speed on which pump data are based:	2917 rpm
Rated flow:	45 m <sup>3</sup> /h
Rated head:	19.1 m
Head max:	26.6 m
Stages:	1
Impellers:	1
Number of reduced-diameter impellers:	0
Low NPSH:	N
Pump orientation:	Vertical
Shaft seal arrangement:	Single
Code for shaft seal:	HQQE
Approvals on nameplate:	CE, EAC, ACS
Curve tolerance:	ISO9906:2012 3B
Pump version:	A
Model:	B
<b>Materials:</b>	
Base:	Cast iron EN 1563 EN-GJS-500-7
Impeller:	ASTM A536 80-55-06 Stainless steel EN 1.4301 AISI 304
Material code:	A
Code for rubber:	E
Bearing:	SIC
Support bearing:	Graflon
<b>Installation:</b>	
Maximum ambient temperature:	60 °C
Maximum operating pressure:	16 bar
Max pressure at stated temp:	16 bar / 120 °C 16 bar / -30 °C
Type of connection:	DIN
Size of inlet connection:	DN 80
Size of outlet connection:	DN 80
Pressure rating for pipe connection:	PN 40
Flange size for motor:	FT130
Connect code:	F
<b>Liquid:</b>	
Pumped liquid:	Water
Liquid temperature range:	-30 .. 120 °C
Liquid temperature during operation:	20 °C
Density:	998.2 kg/m <sup>3</sup>
<b>Electrical data:</b>	
Motor standard:	IEC
Motor type:	112MC
IE Efficiency class:	IE3
Rated power - P2:	4 kW
Power (P2) required by pump:	4 kW
Mains frequency:	50 Hz
Rated voltage:	3 x 380-415D V
Rated current:	7.9 A





Company name:

Created by:

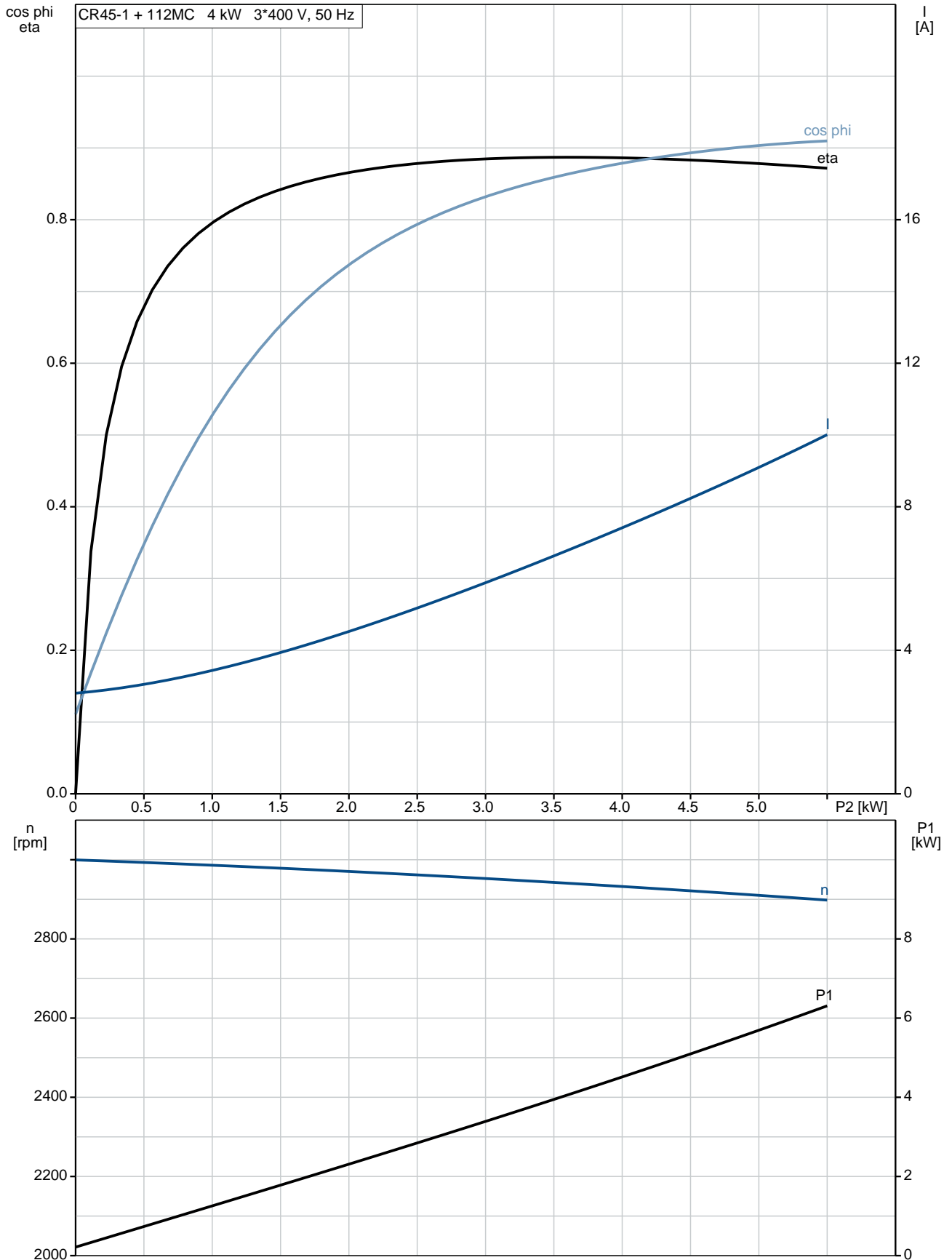
Phone:

Date:

17/02/2019

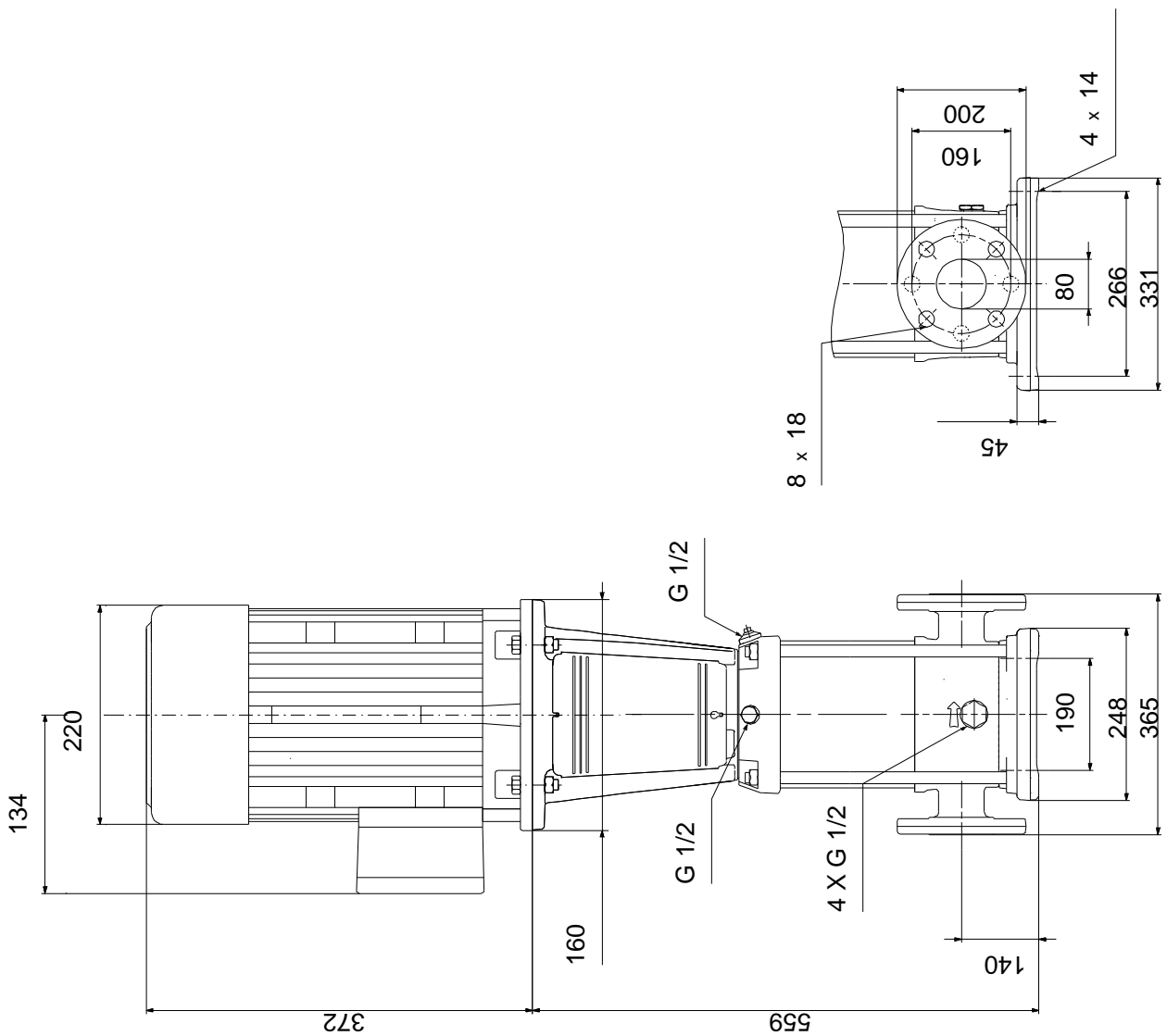
Description	Value
Starting current:	1000-1110 %
Cos phi - power factor:	0.87-0.87
Rated speed:	2920-2940 rpm
Efficiency:	IE3 88,1%
Motor efficiency at full load:	88.1 %
Motor efficiency at 3/4 load:	88.6 %
Motor efficiency at 1/2 load:	85.2 %
Number of poles:	2
Enclosure class (IEC 34-5):	55 Dust/Jetting
Insulation class (IEC 85):	F
Motor protec:	PTC
Motor No:	85U15413
<b>Controls:</b>	
Frequency converter:	NONE
<b>Others:</b>	
Minimum efficiency index, MEI %:	0.70
Net weight:	93.3 kg
Gross weight:	116 kg
Shipping volume:	0.309 m <sup>3</sup>
Danish VVS No.:	385907010

## 96122797 CR 45-1 A-F-A-E-HQQE 50 Hz





**96122797 CR 45-1 A-F-A-E-HQQE 50 Hz**



Note! All units are in [mm] unless others are stated.  
Disclaimer: This simplified dimensional drawing does not show all details.

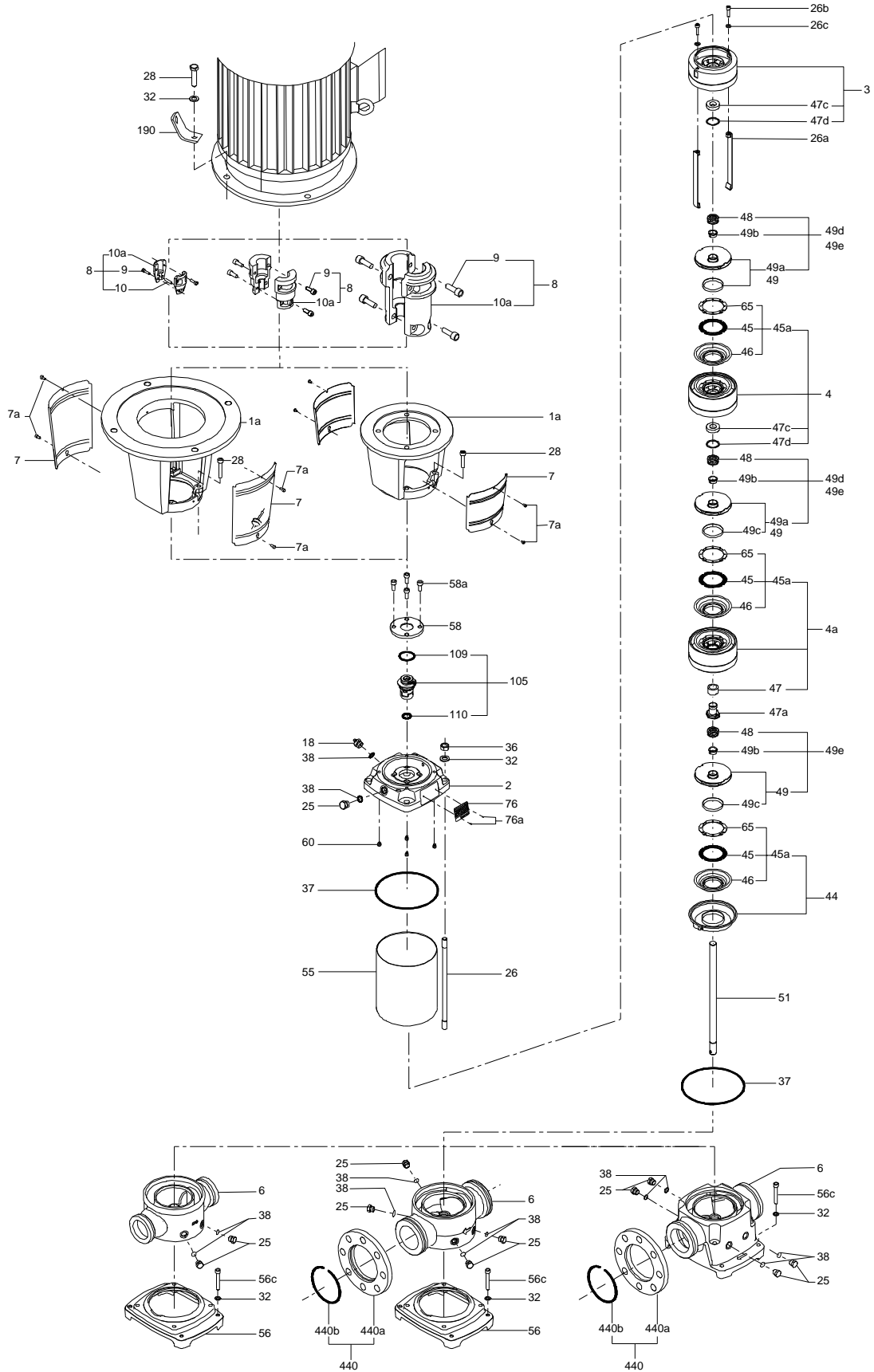
## 96122797 CR 45-1 A-F-A-E-HQQE 50 Hz



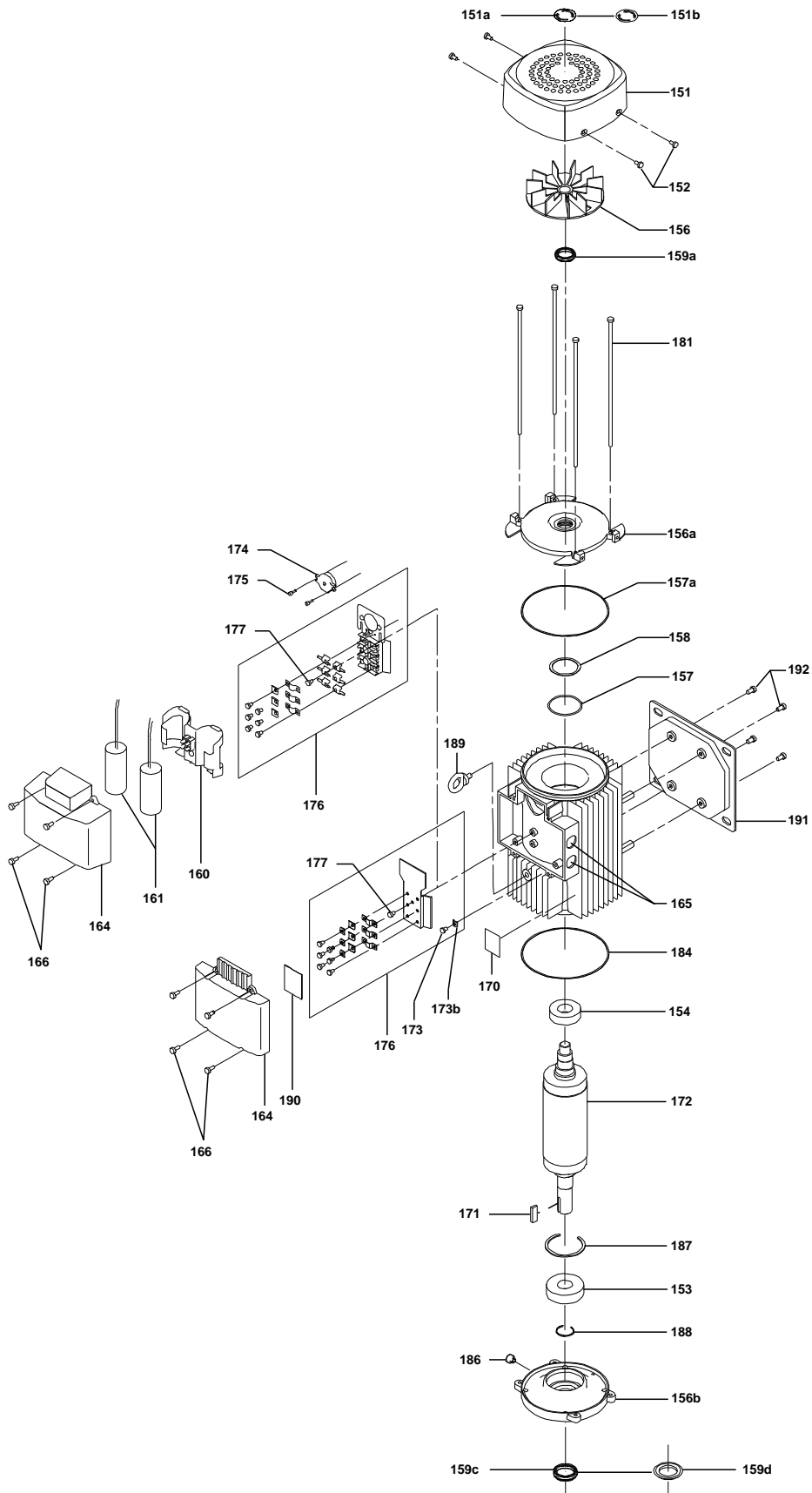
IEC TP211 THERMALLY PROTECTED WHEN THE THERMISTORS ARE  
CONNECTED TO AMPLIFIER RELAY FOR CONTROL OF MAIN SUPPLY  
THERMISTORS PTC ACCORDING TO DIN 44082

Note! All units are in [mm] unless others are stated.

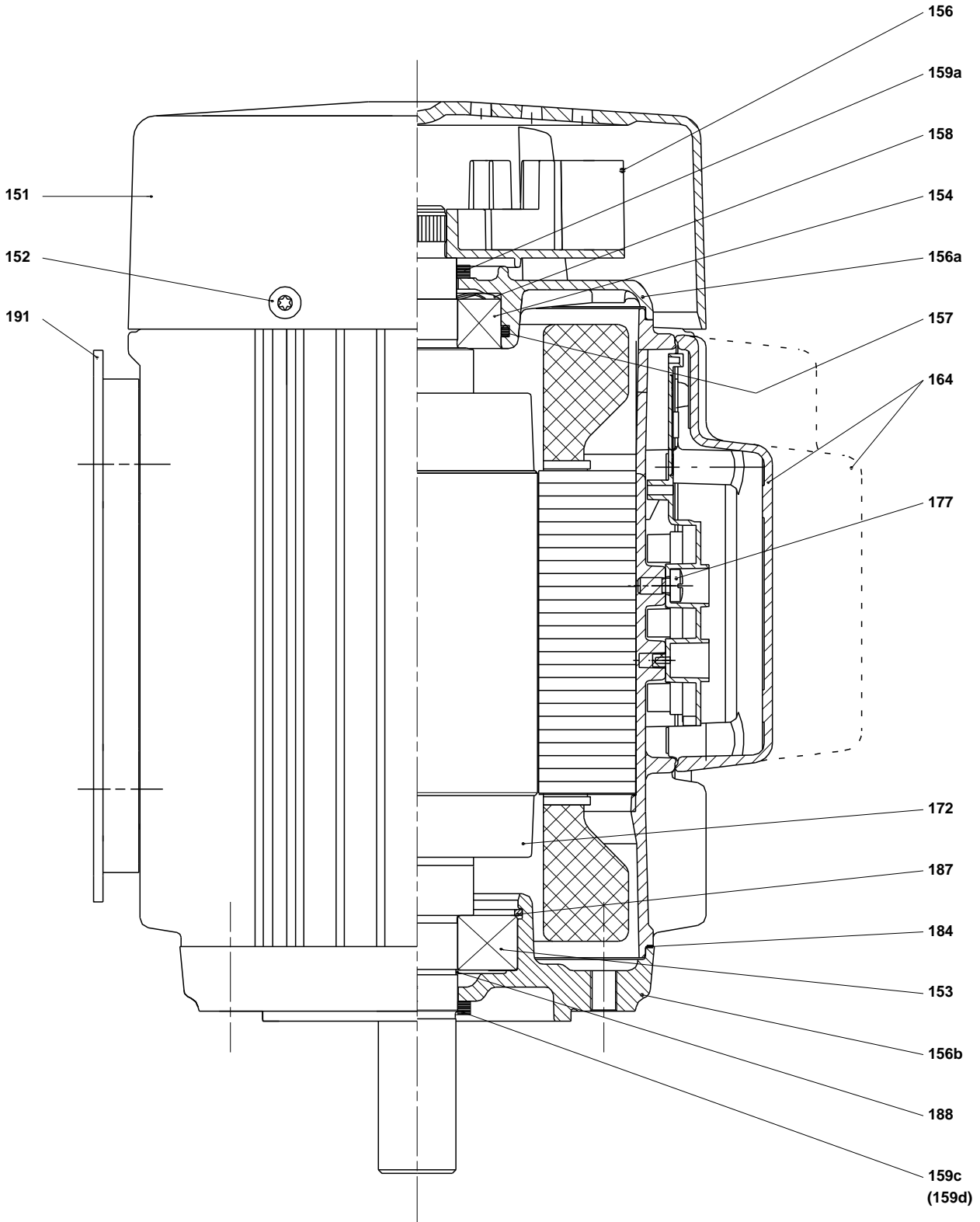
(tm069487 for LACR model B standard)



(tm029184 0505)



(tm029178 2004)



**Spare parts CR 45-1, Product No. 96122797**  
**Valid from 3.3.2014 (1410)**

Pos	Description	Annotation	Classification Data	Part no.	Qty.	Unit
-	Base			96587694	1	pcs
6	Base				1	
- 80	Kit, chamber stack			96416223	1	pcs
- 80	Chamber stack				1	
- 3	Upper chamber cpl.					
	Guide cup					
	Guide cup					
	Cone					
	Guide vane					
	Chamber					
	Chamber					
47	Bearing					
26c	Washer		Designation: DIN 125A			
			Thickness: 1,6			
26b	Hex socket head cap screw					
- 26a	Strap cpl.		Length (mm): 89			
			Thread: M8			
	Strip					
	Nut					
- 44	Suction interconnector cpl.					
	Suction interconnector					
45	Seal ring					
46	Neck ring					
65	Top f/neck ring					
- 47a	Bearing cpl.					
	Driver					
	Holder					
	Disc spring					
	Bearing ring					
47f	Hairpin clip					
- 49e	Impeller cpl.					
48	Nut					
49b	Split cone					
- 49	Impeller					
	Impeller hub					
49c	Wear ring					
51	Shaft					
-	Kit, chambers			98633982	1	pcs
- 3	Upper chamber cpl.				1	
	Guide cup					
	Guide cup					
	Cone					
	Guide vane					
	Chamber					
	Chamber					
47	Bearing					
- 47a	Bearing cpl.				1	
	Driver					
	Holder					
	Disc spring					
	Bearing ring					
47f	Hairpin clip					
-	Kit, coupling			96416590	1	pcs

Pos	Description	Annotation	Classification Data	Part no.	Qty.	Unit
	Adjusting fork					1
9	Hex socket head cap screw		Designation: DIN 912			4
			Length (mm): 25			
			Thread: M10			
10a	Coupling					1
-	Kit, coupling guard			96505134	1	pcs
7a	Socket button head screw					4
7	Coupling guard					2
-	Kit, cover			98832448	1	pcs
58a	Hex socket head cap screw		Designation: DIN 912			4
			Length (mm): 25			
			Thread: M10			
58	Cover					1
-	Kit, gaskets			96416599	1	pcs
	Adjusting fork					1
37	O-ring					2
38	O-ring		Diameter: 16,3			2
			Material type: EPDM			
			Thickness: 2,4			
38	O-ring		Diameter: 16,3			4
			Material type: EPDM			
			Thickness: 2,4			
60	Spring					4
109	O-ring					1
110	O-ring		Diameter: 21,2			1
			Material type: EPDM			
			Thickness: 3,55			
-	Kit, impeller			98497488	1	pcs
48	Nut					1
48	Nut					1
49b	Split cone					1
-	49 Impeller					1
	Impeller hub					
49c	Wear ring					
-	Kit, plug			96505136	1	pcs
-	18 Air vent screw					1
	Spindle					
	Plug					
25	Plug					4
25	Plug					1
38	O-ring		Diameter: 16,3			2
			Material type: FKM			
			Thickness: 2,4			
38	O-ring		Diameter: 16,3			4
			Material type: FKM			
			Thickness: 2,4			
38	O-ring		Diameter: 16,3			6
			Material type: FKM			
			Thickness: 2,4			
38	O-ring		Diameter: 16,3			2
			Material type: EPDM			
			Thickness: 2,4			
38	O-ring		Diameter: 16,3			4
			Material type: EPDM			
			Thickness: 2,4			
-	Kit, shaft seal HQQE			96525458	1	pcs
	Grinding device					1
-	105 Shaft seal		Material type: HQQE			1



Company name:

Created by:

Phone:

Date:

17/02/2019

Pos	Description	Annotation	Classification Data	Part no.	Qty.	Unit
	Adjusting fork					
109	O-ring					
110	O-ring		Diameter: 21,5			
			Material type: EPDM			
			Thickness: 4,25			
-	Kit, wear parts			98497473	1	pcs
45	Seal ring					2
47d	Lock ring					2
47c	Bush					1
49c	Wear ring					2
65	Top f/neck ring					2
-	Motor			85903740	1	pcs
-	Kit, bearing cpl.			96279802	1	
111	Ball bearing		Designation: 6206.2Z.C3.SYN			
153	Angular-contact bearing					
157	O-ring		Diameter: 62			
			Material type: NBR			
			Thickness: 3			
158	Waved washer					
-	Kit, end shield			96279790	1	
156a	End shield					
157	O-ring		Diameter: 62			
			Material type: NBR			
			Thickness: 3			
158	Waved washer					
159a	Seal ring					
-	Kit, eyebolt			96279825	1	
189	Eyebolt					
-	Kit, fan			96279758	1	
156	Fan					
159c	Seal ring					
159a	Seal ring					
-	Kit, fan cover			96279756	1	
151b	Label					
151	Fan cover					
152	Pan head thread forming screw					
-	Kit, flange			96279779	1	
156b	Flange					
159.c	Seal ring					
186	Drain plug					
-	Kit, shaft seal			96279763	1	
159c	Seal ring					
159a	Seal ring					
-	Kit, staybolts			96279793	1	
181	Pan head staybolt					
-	Kit, terminal board			96279769	1	
173a	Base					
173	Pan head thread forming screw		Designation: COMBI TORX T25			
176	Slot cheese head screw		Designation: COMBI TORX T25			
			Length (mm): 10			
			Thread: M5			
176	Terminal					
176	Connecting piece					
176	Wire clamp					
176	Terminal board					
177	Pan head screw					
-	Kit, terminal box			96279772	1	
164	Terminal box cover w/gasket					



Pos	Description	Annotation	Classification Data	Part no.	Qty.	Unit
166	Pan head thread forming screw					
1a	Motor stool			96587723	1	pcs
2	Pump head			96547433	1	pcs
+ 3	Bulk, Upper chamber cpl. (5 pcs)			99262935	1	pcs
7a	Bulk, Socket button head screw (10 pcs)			96549696	4	pcs
7	Bulk, Coupling guard (10 pcs)			96603300	2	pcs
+ 18	Bulk, Air vent screw (5 pcs)			96547461	1	pcs
+ 18	Air vent screw			95061351	1	pcs
25	Bulk, Plug (10 pcs)			96536013	1	pcs
26c	Bulk, Washer (4 pcs)		Designation: DIN 125A Thickness: 1,6	99262704	2	pcs
26c	Washer		Designation: DIN 125A Thickness: 1,6	96586880	2	pcs
26b	Bulk, Hex socket head cap screw (10 pcs)			98931380	2	pcs
+ 26a	Strap cpl.		Length (mm): 89 Thread: M8	98983868	2	pcs
26	Staybolt		Length (mm): 250 Thread: M16	98976735	4	pcs
28	Bulk, Hex socket head cap screw (10 pcs)		Designation: DIN 912 Length (mm): 50 Thread: M10	96536147	4	pcs
32	Bulk, Washer (100 pcs)		Designation: DIN 125 A Internal diameter: 17 Outer diameter: 30 Thickness: 3	98923051	4	pcs
36	Bulk, Hex nut (20 pcs)		Thread: M16	96620480	4	pcs
38	Bulk, O-ring (10 pcs)		Diameter: 16,3 Material type: EPDM Thickness: 2,4	99198815	2	pcs
38	Bulk, O-ring (50 pcs)		Diameter: 16,3 Material type: EPDM Thickness: 2,4	99412727	2	pcs
- 44	Suction interconnector cpl.			98634054	1	pcs
45	Bulk, Seal ring (10 pcs)			97911448	1	
45	Bulk, Seal ring (10 pcs)			96535952	1	
65	Bulk, Top f/neck ring (10 pcs)			96547390	1	
+ 47a	Bulk, Bearing cpl. (5 pcs)			99270651	1	pcs
49b	Bulk, Split cone (10 pcs)			96536010	1	pcs
- 49	Bulk, Impeller (10 pcs)			96535946	1	pcs
49c	Bulk, Wear ring (10 pcs)			96535949	1	
55	Outer sleeve		Outer diameter: 216 Length (mm): 103,5	98820219	1	pcs
58	Cover			98893158	1	pcs
60	Bulk, Spring (20 pcs)			96536032	4	pcs
- 105	Bulk, Shaft seal (12 pcs)		Material type: HQQE	96984086	1	pcs
	Adjusting fork			96587896	1	
109	Bulk, O-ring (10 pcs)			96547586	1	
+ 105	Bulk, Shaft seal (12 pcs)		Material type: HQQE	96984070	1	pcs
440b	Bulk, Lock ring (4 pcs)			96535943	1	pcs