

Qty. Description

1 CR 150-1 A-F-A-E-HQQE



Note! Product picture may differ from actual product

Product No.: [95922375](#)

Vertical, multistage centrifugal pump with inlet and outlet ports on same the level (inline). The pump head and base are in cast iron – all other wetted parts are in stainless steel. A cartridge shaft seal ensures high reliability, safe handling, and easy access and service. A cartridge shaft seal ensures high reliability, safe handling, and easy access and service. Power transmission is via a rigid split coupling. Pipe connection is via DIN flanges.

The pump is fitted with a 3-phase, fan-cooled asynchronous motor.

Further product details

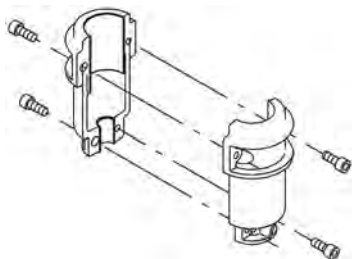
Steel, cast iron and aluminium components have an epoxy-based coating made in a cathodic electro-deposition (CED) process. CED is a high-quality dip-painting process where an electrical field around the products ensures deposition of paint particles as a thin, well-controlled layer on the surface. An integral part of the process is a pretreatment. The entire process consists of these elements:

- 1) Alkaline-based cleaning.
- 2) Zinc phosphating.
- 3) Cathodic electro-deposition.
- 4) Curing to a dry film thickness 18-22 my m.

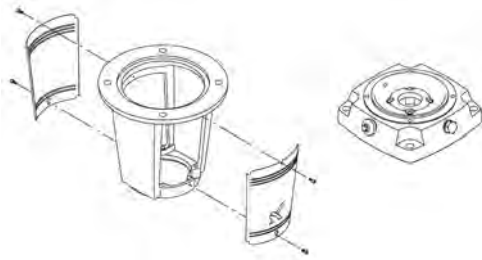
The colour code for the finished product is NCS 9000/RAL 9005.

Pump

A long split coupling connects the pump and motor shaft. It is enclosed in the motor stool by means of two coupling guards. The long coupling makes it possible to replace the shaft seal without removing the motor from the pump.



The motor stool connects the pump head and motor. The pump head has a combined 1/2" priming plug and vent screw.



The pump is fitted with a balanced O-ring seal unit with a rigid torque-transmission system. This seal type is assembled in a cartridge unit which makes replacement safe and easy. Due to the balancing, this seal type is suitable for high-pressure applications. The cartridge construction also protects the pump shaft from possible wear from a dynamic O-ring between pump shaft and shaft seal.

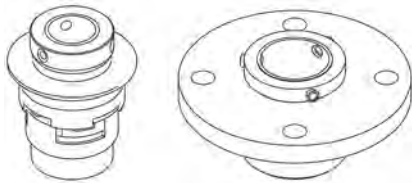
Primary seal:

- Rotating seal ring material: silicon carbide (SiC)
- Stationary seat material: silicon carbide (SiC)

This material pairing is used where higher corrosion resistance is required. The high hardness of this material pairing offers good resistance against abrasive particles.

Secondary seal material: EPDM (ethylene-propylene rubber)

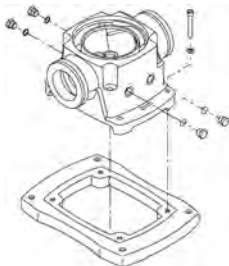
EPDM has excellent resistance to hot water. EPDM is not suitable for mineral oils.



The shaft seal is retained in the pump head by a cover and screws. It can be replaced without removing the motor.

The chambers and impellers are made of stainless-steel sheet. The chambers are provided with a PTFE neck ring offering improved sealing and high efficiency. The impellers have smooth surfaces, and the shape of the blades ensure a high efficiency.

The base is made of cast iron and mounted on a separate cast-iron base plate. Both the inlet and the outlet side of the base have two pressure gauge tappings. The pump is secured to the foundation by four bolts through the base plate. The flanges are fastened to the base by means of locking rings.



Motor

The motor is a totally enclosed, fan-cooled motor with principal dimensions to IEC and DIN standards. The motor is flange-mounted with free-hole flange (FF).

Motor-mounting designation in accordance with IEC 60034-7: IM B 5 (Code I) / IM 3001 (Code II).

Electrical tolerances comply with IEC 60034.

The motor efficiency is classified as IE3 in accordance with IEC 60034-30-1.

The motor has thermistors (PTC sensors) in the windings in accordance with DIN 44081/DIN 44082. The protection reacts to both slow- and quick-rising temperatures, e.g. constant overload and stalled conditions.

Thermal switches must be connected to an external control circuit in a way which ensures that the automatic reset cannot cause accidents. The motors must be connected to a motor-protective circuit breaker according to local regulations.

The motor can be connected to a variable speed drive for adjustment of pump performance to any duty point. Grundfos CUE offers a range of variable speed drives. Please find more information in Grundfos Product Center.

Technical data

Controls:

Frequency converter: NONE

Liquid:

Pumped liquid: Water
Liquid temperature range: -30 .. 120 °C
Liquid temperature during operation: 20 °C
Density: 998.2 kg/m³

Technical:

Pump speed on which pump data are based: 2923 rpm
Rated flow: 150 m³/h
Rated head: 19.7 m
Pump orientation: Vertical
Shaft seal arrangement: Single
Code for shaft seal: HQQE
Approvals on nameplate: CE, EAC, ACS
Curve tolerance: ISO9906:2012 3B

Materials:

Base: Cast iron
EN 1563 EN-GJS-500-7
ASTM A536 80-55-06
Impeller: Stainless steel
EN 1.4301
AISI 304
Bearing: SIC
Support bearing: Graflon

Installation:

Maximum ambient temperature: 60 °C
Maximum operating pressure: 30 bar
Max pressure at stated temp: 30 bar / 120 °C
30 bar / -30 °C
Type of connection: DIN
Size of inlet connection: DN 125
Size of outlet connection: DN 125
Pressure rating for pipe connection: PN 40
Flange size for motor: FF300

Electrical data:

Motor standard: IEC
Motor type: 160MD
IE Efficiency class: IE3
Rated power - P2: 15 kW
Power (P2) required by pump: 15 kW
Mains frequency: 50 Hz
Rated voltage: 3 x 380-415D/660-690Y V
Rated current: 28,0-26,0/16,2-15,6 A
Starting current: 660-780 %
Cos phi - power factor: 0.89-0.87



Company name:

Created by:

Phone:

Date:

18/02/2019

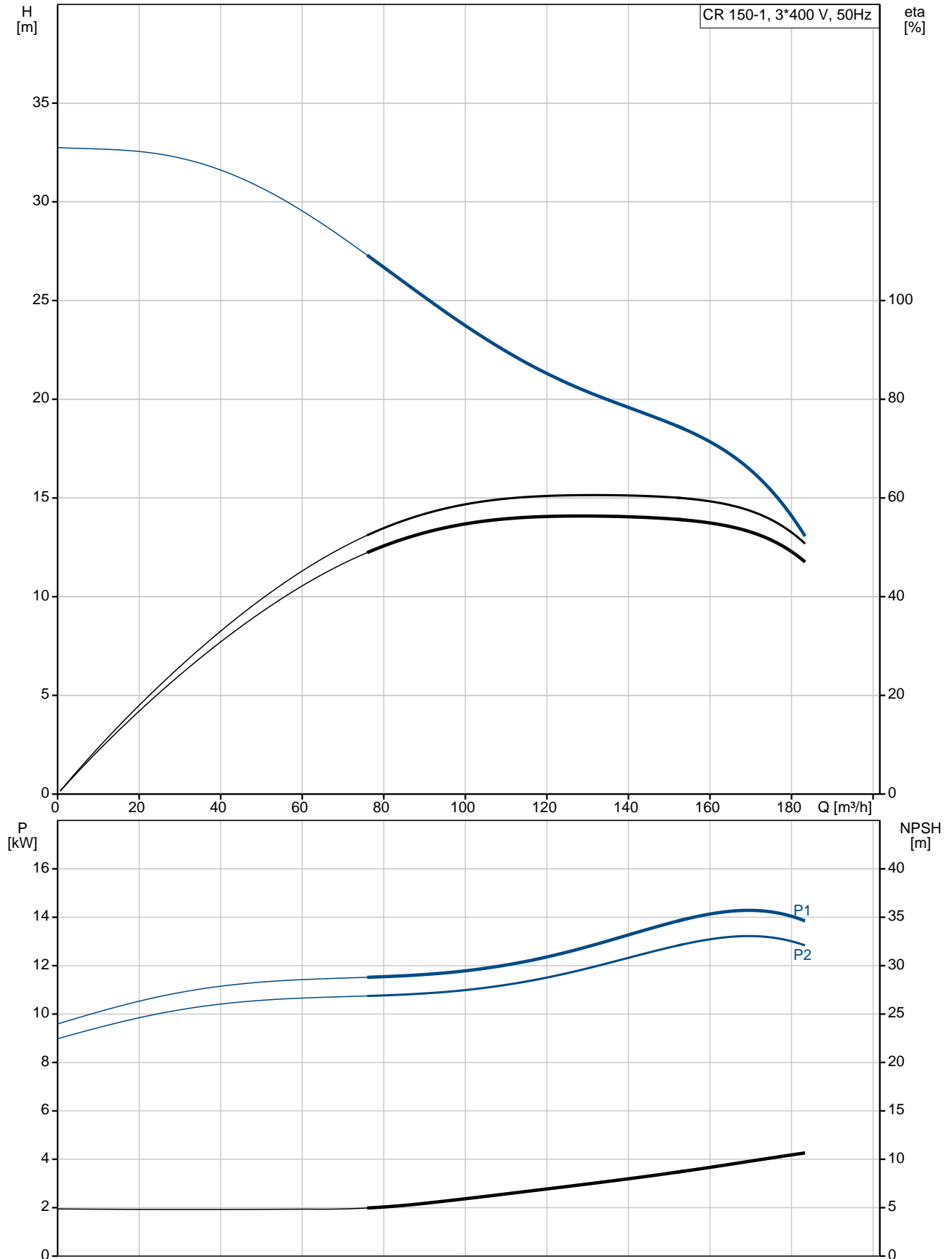
| Qty. | Description |
|------|-------------|
|------|-------------|

| | |
|--------------------------------|-----------------|
| Rated speed: | 2930-2950 rpm |
| Efficiency: | IE3 91,9% |
| Motor efficiency at full load: | 91.9-91.9 % |
| Motor efficiency at 3/4 load: | 92.4 % |
| Motor efficiency at 1/2 load: | 92.4 % |
| Number of poles: | 2 |
| Enclosure class (IEC 34-5): | 55 Dust/Jetting |
| Insulation class (IEC 85): | F |

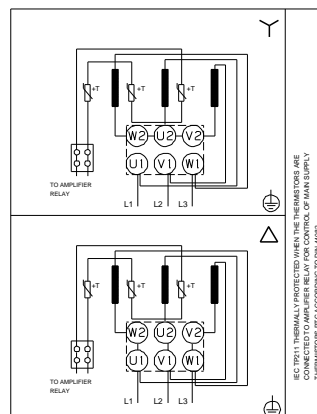
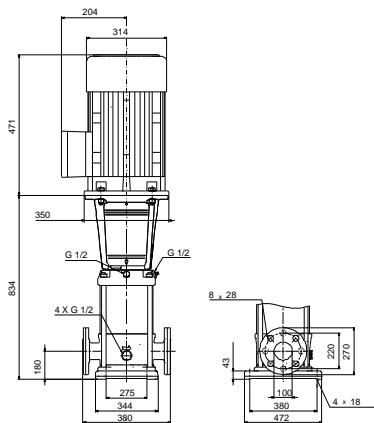
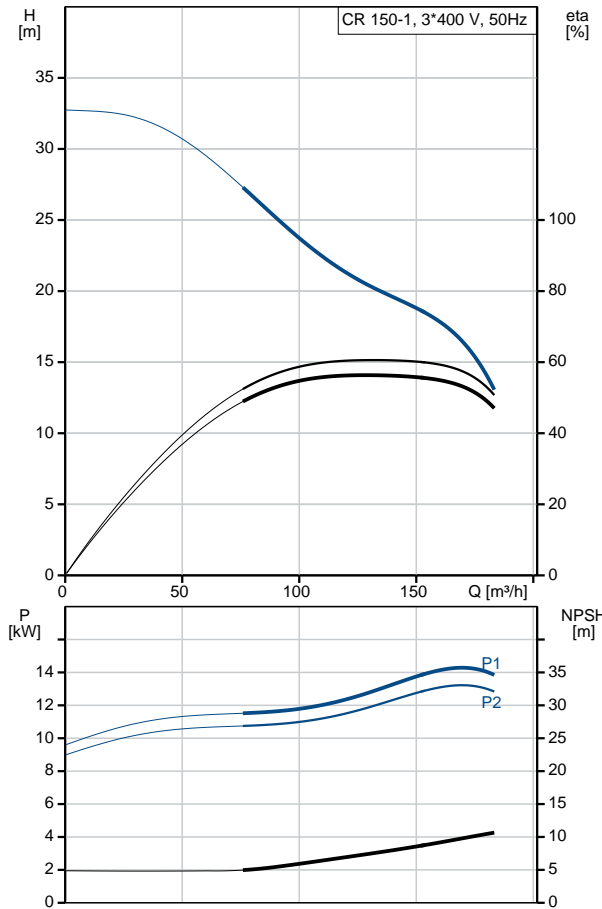
Others:

| | |
|--|---------------------|
| Minimum efficiency index, MEI $\hat{\alpha}\%$: | 0.70 |
| Net weight: | 203 kg |
| Gross weight: | 264 kg |
| Shipping volume: | 1.02 m ³ |

95922375 CR 150-1 A-F-A-E-HQQE 50 Hz



| Description | Value |
|--|--|
| General information: | |
| Product name: | CR 150-1 A-F-A-E-HQQE |
| Product No: | 95922375 |
| EAN number: | 5700838935851 |
| Technical: | |
| Pump speed on which pump data are based: | 2923 rpm |
| Rated flow: | 150 m ³ /h |
| Rated head: | 19.7 m |
| Head max: | 32.9 m |
| Stages: | 1 |
| Impellers: | 1 |
| Number of reduced-diameter impellers: | 0 |
| Low NPSH: | N |
| Pump orientation: | Vertical |
| Shaft seal arrangement: | Single |
| Code for shaft seal: | HQQE |
| Approvals on nameplate: | CE, EAC, ACS |
| Curve tolerance: | ISO9906:2012 3B |
| Pump version: | A |
| Model: | A |
| Materials: | |
| Base: | Cast iron EN 1563 EN-GJS-500-7 |
| Impeller: | ASTM A536 80-55-06 Stainless steel EN 1.4301 AISI 304 |
| Material code: | A |
| Code for rubber: | E |
| Bearing: | SIC |
| Support bearing: | Graflon |
| Installation: | |
| Maximum ambient temperature: | 60 °C |
| Maximum operating pressure: | 30 bar |
| Max pressure at stated temp: | 30 bar / 120 °C 30 bar / -30 °C |
| Type of connection: | DIN |
| Size of inlet connection: | DN 125 |
| Size of outlet connection: | DN 125 |
| Pressure rating for pipe connection: | PN 40 |
| Flange size for motor: | FF300 |
| Connect code: | F |
| Liquid: | |
| Pumped liquid: | Water |
| Liquid temperature range: | -30 .. 120 °C |
| Liquid temperature during operation: | 20 °C |
| Density: | 998.2 kg/m ³ |
| Electrical data: | |
| Motor standard: | IEC |
| Motor type: | 160MD |
| IE Efficiency class: | IE3 |
| Rated power - P2: | 15 kW |
| Power (P2) required by pump: | 15 kW |
| Mains frequency: | 50 Hz |
| Rated voltage: | 3 x 380-415D/660-690V |





Company name:

Created by:

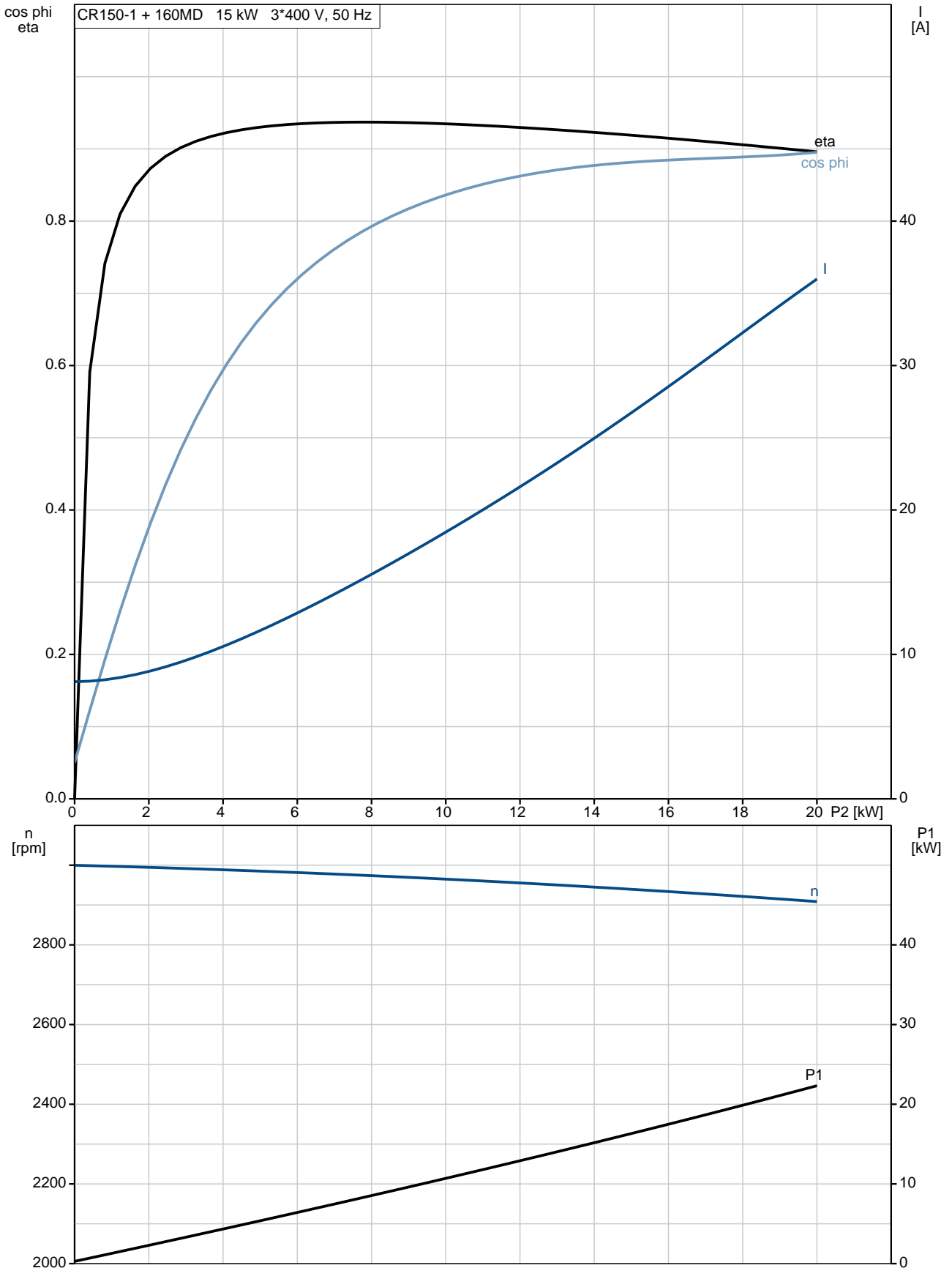
Phone:

Date:

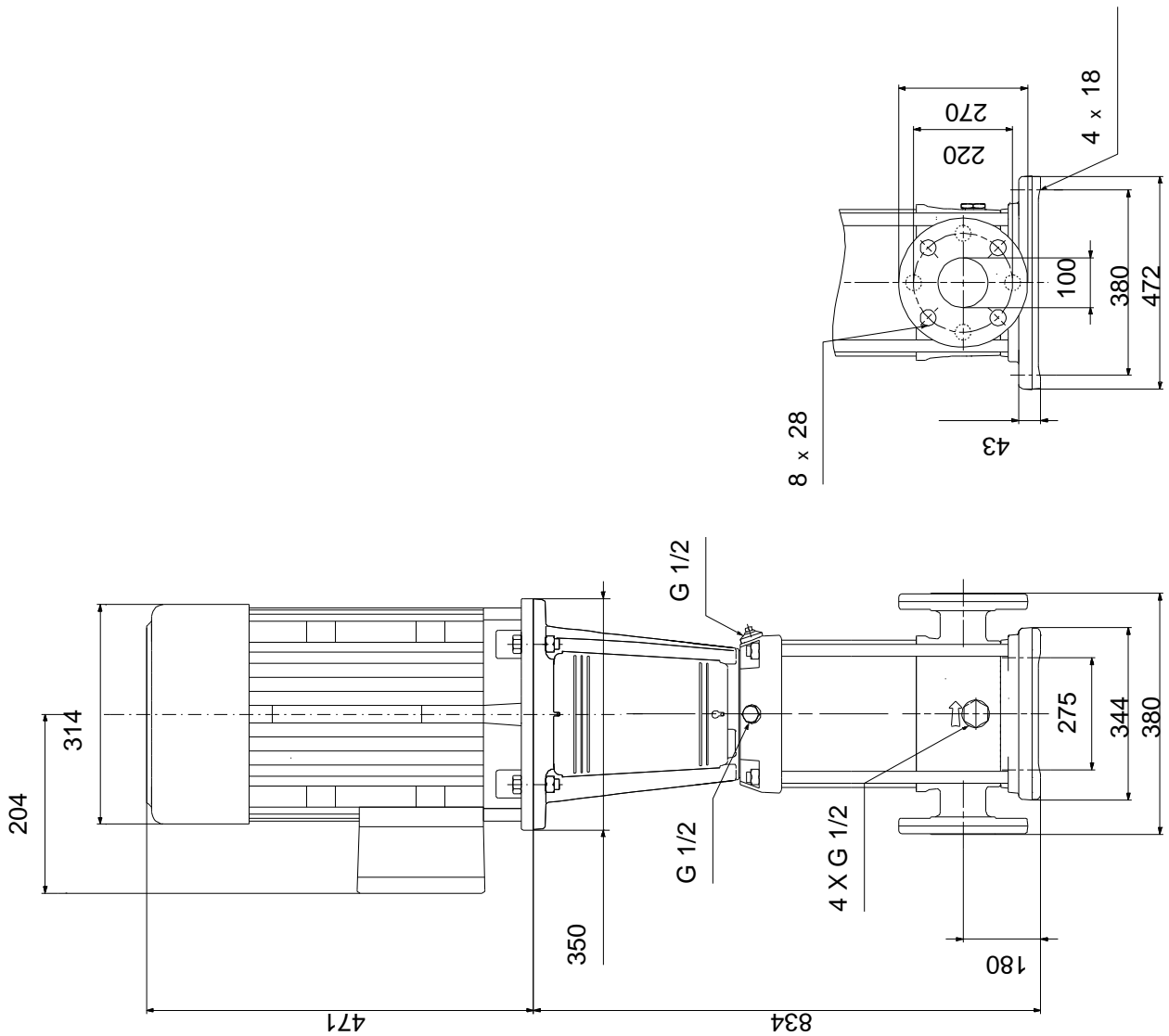
18/02/2019

| Description | Value |
|--|-----------------------|
| Rated current: | 28,0-26,0/16,2-15,6 A |
| Starting current: | 660-780 % |
| Cos phi - power factor: | 0.89-0.87 |
| Rated speed: | 2930-2950 rpm |
| Efficiency: | IE3 91,9% |
| Motor efficiency at full load: | 91.9-91.9 % |
| Motor efficiency at 3/4 load: | 92.4 % |
| Motor efficiency at 1/2 load: | 92.4 % |
| Number of poles: | 2 |
| Enclosure class (IEC 34-5): | 55 Dust/Jetting |
| Insulation class (IEC 85): | F |
| Motor protec: | PTC |
| Motor No: | 85U17526 |
| Controls: | |
| Frequency converter: | NONE |
| Others: | |
| Minimum efficiency index, MEI η_{min} : | 0.70 |
| Net weight: | 203 kg |
| Gross weight: | 264 kg |
| Shipping volume: | 1.02 m ³ |

95922375 CR 150-1 A-F-A-E-HQQE 50 Hz

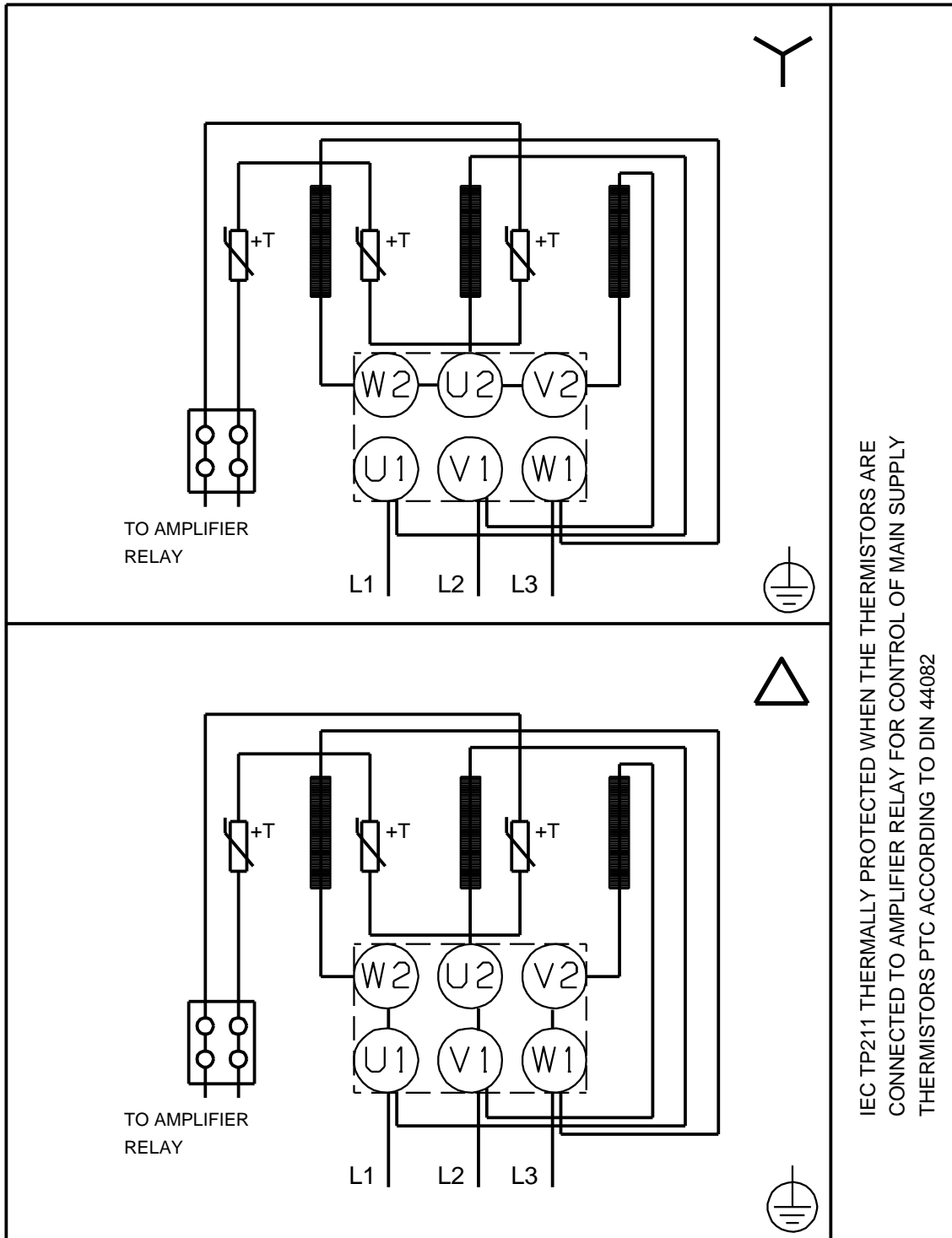


95922375 CR 150-1 A-F-A-E-HQQE 50 Hz



Note! All units are in [mm] unless others are stated.
Disclaimer: This simplified dimensional drawing does not show all details.

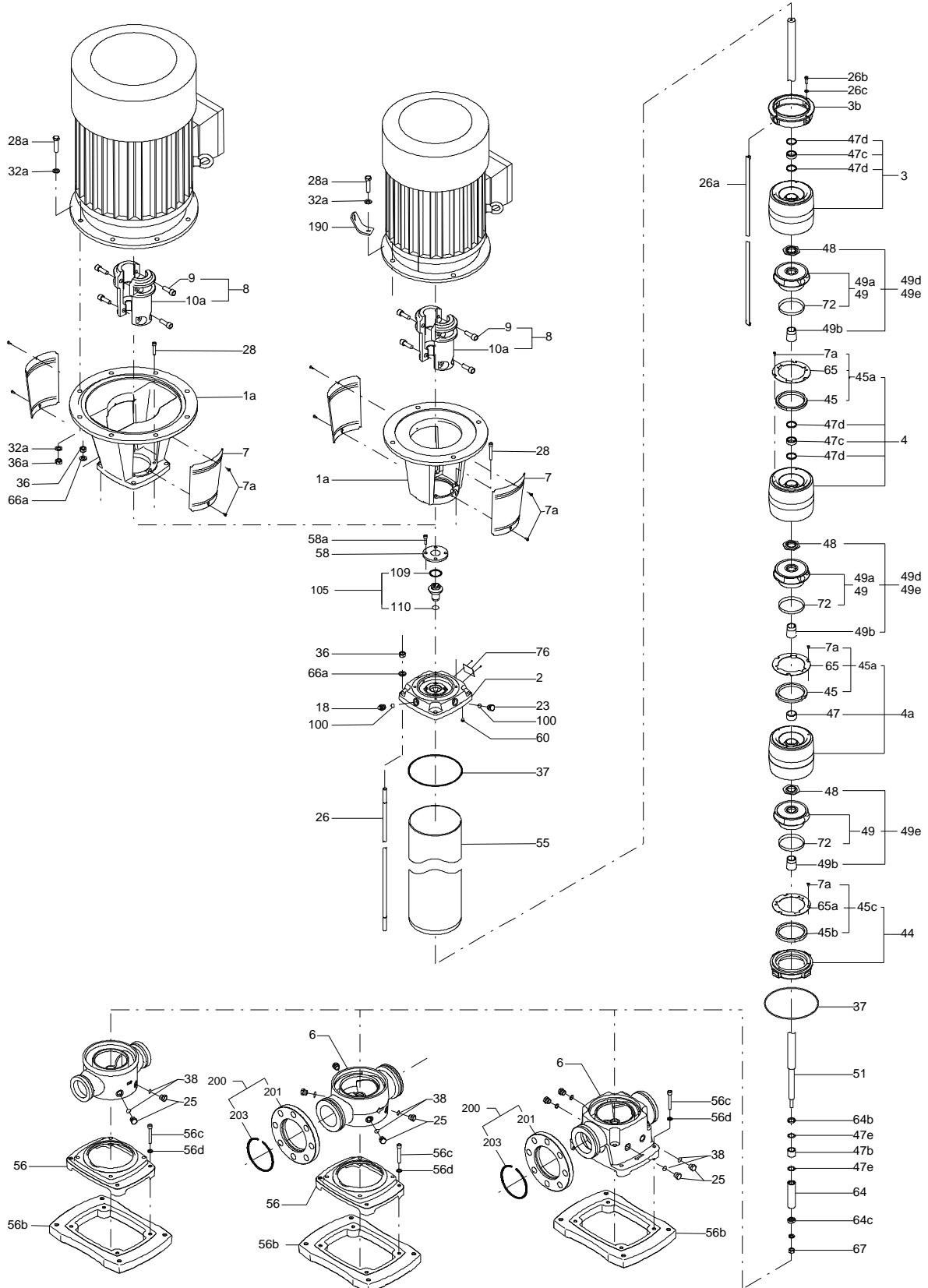
95922375 CR 150-1 A-F-A-E-HQQE 50 Hz



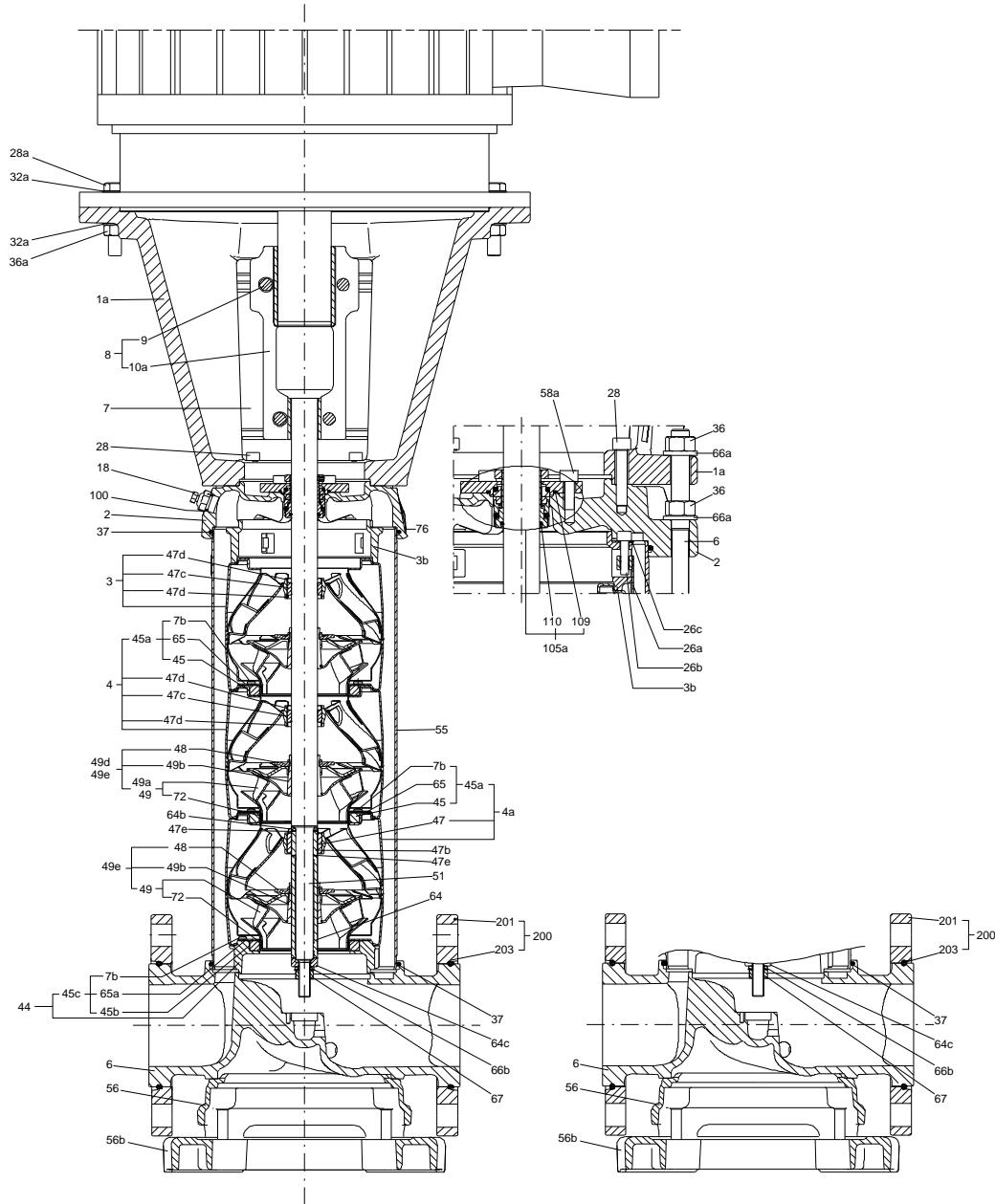
IEC TP211 THERMALLY PROTECTED WHEN THE THERMISTORS ARE
CONNECTED TO AMPLIFIER RELAY FOR CONTROL OF MAIN SUPPLY
THERMISTORS PTC ACCORDING TO DIN 44082

Note! All units are in [mm] unless others are stated.

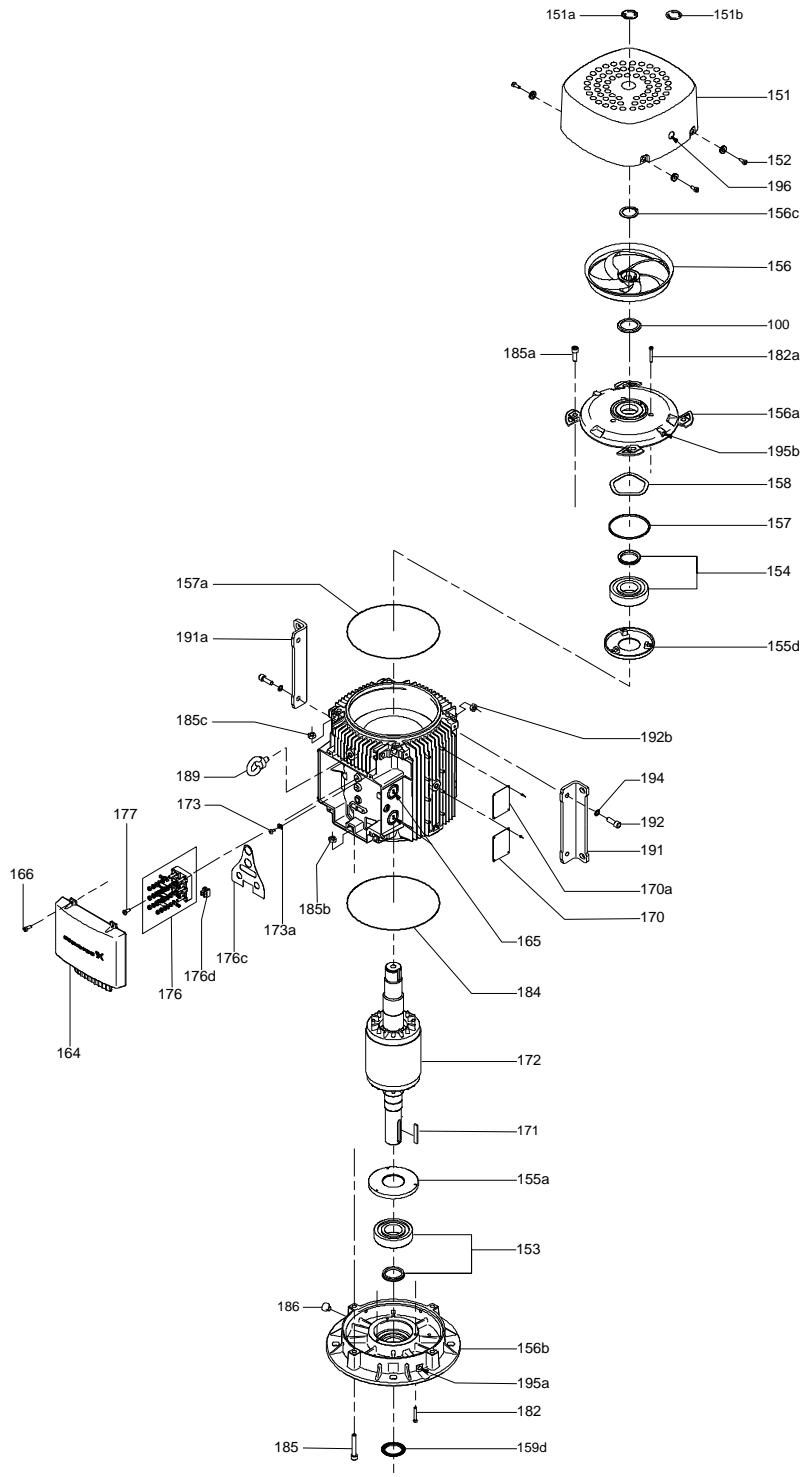
(TM065565 XLCR)



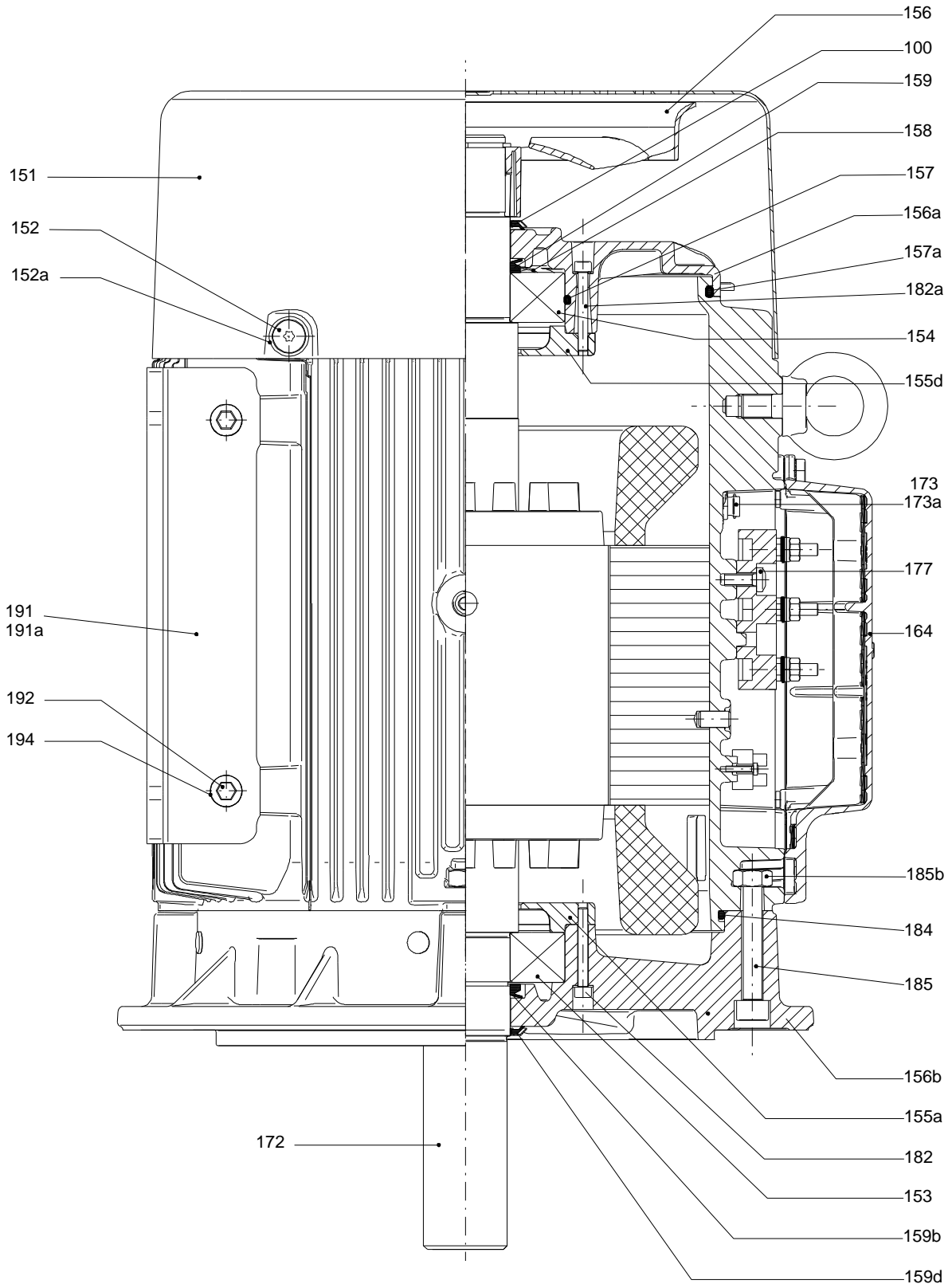
(TM065579 XLCR)



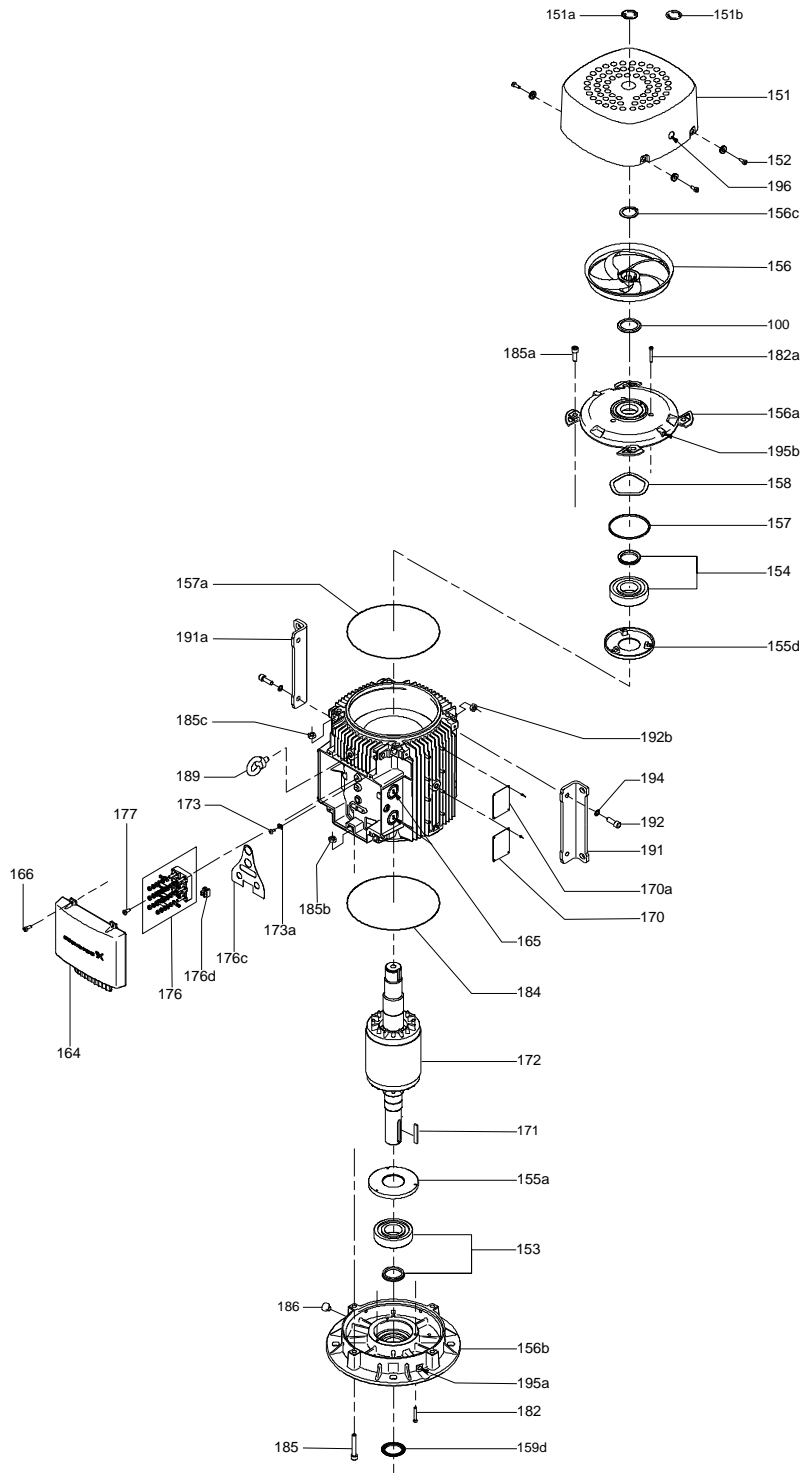
Exploded view



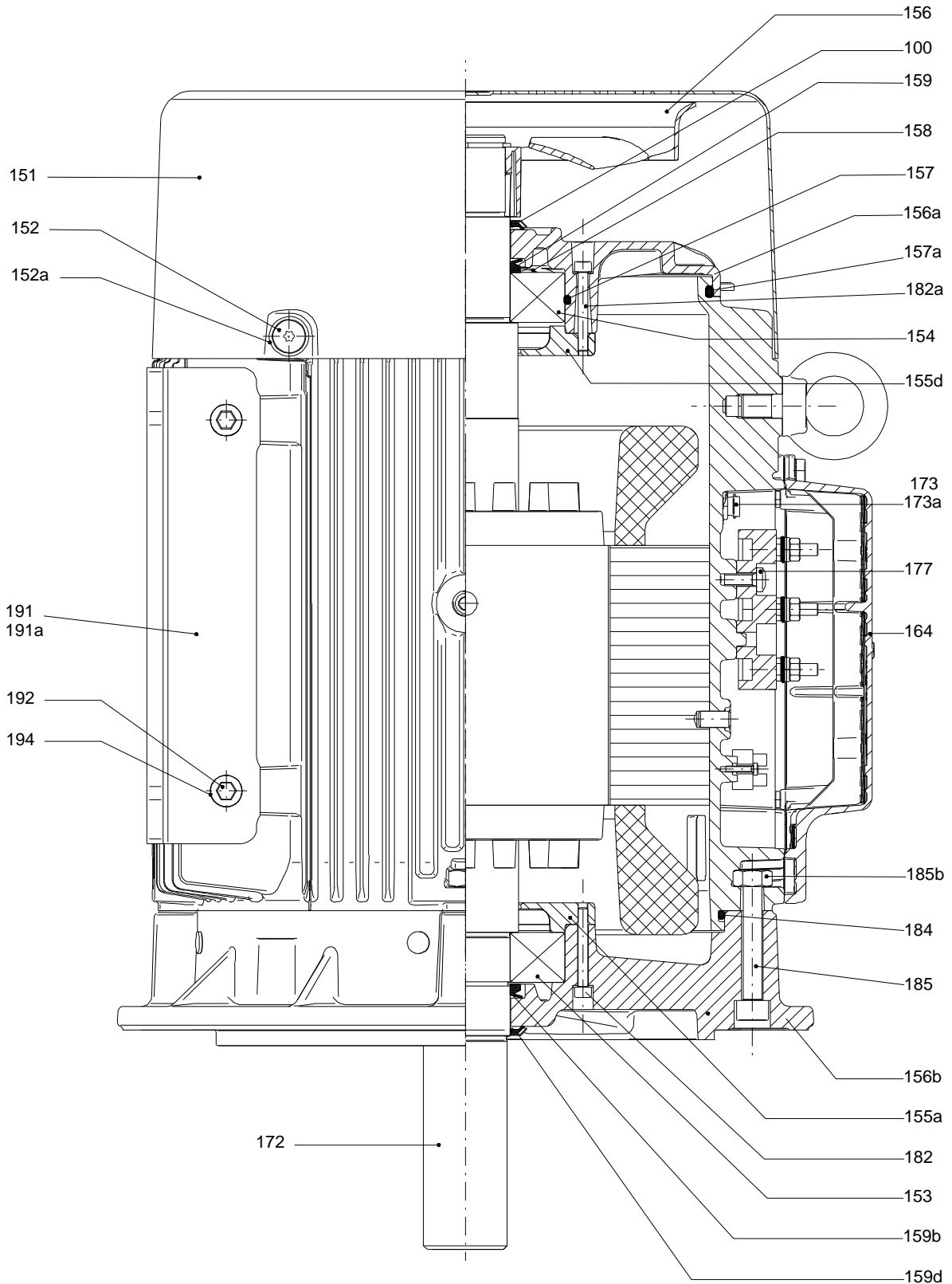
Sectional drawing



Exploded view



Sectional drawing



Spare parts CR 150-1, Product No. 95922375
Valid from 1.1.2011 (1152)

| Pos | Description | Annotation | Classification Data | Part no. | Qty. | Unit |
|-----|-----------------------------------|------------|------------------------|----------|------|------|
| + | Base | | | 98807603 | 1 | pcs |
| - | Kit, bearing | | | 96752215 | 1 | pcs |
| | Adjusting fork | | | | 1 | |
| | Adjusting fork | | | | 1 | |
| 47e | Washer | | Internal diameter: D22 | | 2 | |
| | | | Outer diameter: D32 | | | |
| 47b | Bearing ring, rotating | | | | 1 | |
| - | Kit, chamber stack | | | 95059843 | 1 | pcs |
| - | 80 Chamber stack | | | | 1 | |
| - | Shaft cpl. | | | | | |
| 47e | Washer | | Internal diameter: D22 | | | |
| | | | Outer diameter: D32 | | | |
| 47b | Bearing ring, rotating | | | | | |
| 51 | Pump shaft | | Diameter: D22 | | | |
| | | | Length (mm): 420,5 | | | |
| 64c | Spacer ring | | | | | |
| 64b | Wedge lock washer | | | | | |
| 64b | Lock washer | | | | | |
| 64 | Spacing bush | | | | | |
| 67 | Hex nut | | Thread: M14 | | | |
| - | 3 Chamber cpl. | | | | | |
| 47 | Bearing ring | | | | | |
| 7a | Cross recess Pan head screw | | | | | |
| 26c | Washer | | Designation: DIN 125A | | | |
| | | | Thickness: 1,6 | | | |
| 26b | Hex socket head cap screw | | | | | |
| 26a | Strap cpl. | | | | | |
| 44a | Discharge part | | | | | |
| - | 44 Inlet part | | | | | |
| | Inlet part | | | | | |
| 45b | Neck ring | | | | | |
| - | 49e Impeller cpl. | | | | | |
| 48 | Split cone nut | | | | | |
| 49b | Split cone | | | | | |
| - | 49 Impeller cpl. reduced diameter | | | | | |
| 49c | Wear ring | | | | | |
| 65a | Retainer | | | | | |
| - | Kit, chambers | | | 96751988 | 1 | pcs |
| | Adjusting fork | | | | 1 | |
| - | 3 Chamber cpl. | | | | 1 | |
| 47 | Bearing ring | | | | | |
| - | Kit, coupling | | | 96416592 | 1 | pcs |
| | Adjusting fork | | | | 1 | |
| - | 8 Coupling cpl. | | Dimension: 22/42 | | 1 | |
| 9 | Hex socket head cap screw | | Designation: DIN 912 | | | |
| | | | Length (mm): 25 | | | |
| | | | Thread: M10 | | | |
| 10a | Coupling half | | | | | |
| - | Kit, coupling guard | | | 96505135 | 1 | pcs |
| 7a | Socket button head screw | | | | 4 | |
| 7 | Coupling guard | | | | 2 | |
| + | Kit, cover | | | 98832448 | 1 | pcs |
| - | Kit, gaskets | | | 95059804 | 1 | pcs |

| Pos | Description | Annotation | Classification Data | Part no. | Qty. | Unit |
|------|------------------------|------------|------------------------|----------|------|------|
| | Adjusting fork | | | | 1 | |
| | Adjusting fork | | | | 1 | |
| 37 | O-ring | | | | 2 | |
| 38 | O-ring | | Diameter: 16,3 | | 4 | |
| | | | Material type: EPDM | | | |
| | | | Thickness: 2,4 | | | |
| 38 | O-ring | | Diameter: 16,3 | | 2 | |
| | | | Material type: EPDM | | | |
| | | | Thickness: 2,4 | | | |
| 60 | Spring | | | | 4 | |
| 109 | O-ring | | | | 1 | |
| 109 | O-ring | | Material type: EPDM | | 1 | |
| 110 | O-ring | | | | 1 | |
| 110 | O-ring | | Diameter: 21,5 | | 1 | |
| | | | Material type: EPDM | | | |
| | | | Thickness: 4,25 | | | |
| - | Kit, plug | | | 96505136 | 1 | pcs |
| - 18 | Air vent screw | | | | 1 | |
| | Spindle | | | | | |
| | Plug | | | | | |
| 25 | Plug | | | | 4 | |
| 25 | Plug | | | | 1 | |
| 38 | O-ring | | Diameter: 16,3 | | 2 | |
| | | | Material type: FKM | | | |
| | | | Thickness: 2,4 | | | |
| 38 | O-ring | | Diameter: 16,3 | | 4 | |
| | | | Material type: FKM | | | |
| | | | Thickness: 2,4 | | | |
| 38 | O-ring | | Diameter: 16,3 | | 6 | |
| | | | Material type: FKM | | | |
| | | | Thickness: 2,4 | | | |
| 38 | O-ring | | Diameter: 16,3 | | 2 | |
| | | | Material type: EPDM | | | |
| | | | Thickness: 2,4 | | | |
| 38 | O-ring | | Diameter: 16,3 | | 4 | |
| | | | Material type: EPDM | | | |
| | | | Thickness: 2,4 | | | |
| - | Kit, shaft | | | 98368841 | 1 | pcs |
| - | Shaft cpl. | | | | 1 | |
| 47e | Washer | | Internal diameter: D22 | | | |
| | | | Outer diameter: D32 | | | |
| 47b | Bearing ring, rotating | | | | | |
| 51 | Pump shaft | | Diameter: D22 | | | |
| | | | Length (mm): 420,5 | | | |
| 64c | Spacer ring | | | | | |
| 64b | Wedge lock washer | | | | | |
| 64b | Lock washer | | | | | |
| 64 | Spacing bush | | | | | |
| 67 | Hex nut | | Thread: M14 | | | |
| 47e | Washer | | Internal diameter: D22 | | 2 | |
| | | | Outer diameter: D32 | | | |
| 47b | Bearing ring, rotating | | | | 1 | |
| 51 | Pump shaft | | Diameter: D22 | | 1 | |
| | | | Length (mm): 420,5 | | | |
| 64c | Spacer ring | | | | 1 | |
| 64b | Wedge lock washer | | | | 1 | |
| 64b | Lock washer | | | | 1 | |
| 64 | Spacing bush | | | | 1 | |
| 67 | Hex nut | | Thread: M14 | | 1 | |

| Pos | Description | Annotation | Classification Data | Part no. | Qty. | Unit |
|-------|-----------------------------|------------|------------------------|----------|------|------|
| - | Kit, shaft seal HQQE | | | 96525458 | 1 | pcs |
| | Grinding device | | | | 1 | |
| - 105 | Shaft seal | | Material type: HQQE | | 1 | |
| | Adjusting fork | | | | | |
| 109 | O-ring | | | | | |
| 110 | O-ring | | Diameter: 21,5 | | | |
| | | | Material type: EPDM | | | |
| | | | Thickness: 4,25 | | | |
| - | Kit, wear parts | | | 95059809 | 1 | pcs |
| | Adjusting fork | | | | 1 | |
| 7a | Cross recess Pan head screw | | | | 3 | |
| 45 | Neck ring | | | | 1 | |
| 47e | Washer | | Internal diameter: D22 | | 2 | |
| | | | Outer diameter: D32 | | | |
| 47b | Bearing ring, rotating | | | | 1 | |
| 49c | Wear ring | | | | 1 | |
| 65a | Retainer | | | | 1 | |
| | Bulk, Gasket (10 pcs) | | | 99158755 | 1 | pcs |
| - | Motor | | | 85904134 | 1 | pcs |
| + | Kit, bearing cpl. | | | 96796676 | 1 | |
| - | Kit, bearing plate | | | 96796664 | 1 | |
| 155.a | Bearing cover | | | | | |
| 208a | Gasket | | | | | |
| 208 | Hex socket head cap screw | | Designation: DIN912 | | | |
| | | | Length (mm): 40 | | | |
| | | | Thread: M5 | | | |
| - | Kit, eyebolt | | | 96796712 | 1 | |
| 189 | Eyebolt | | | | | |
| - | Kit, fan | | | 96796654 | 1 | |
| 156.c | Retaining ring | | | | | |
| 156 | Fan | | | | | |
| - | Kit, fan cover | | | 96796647 | 1 | |
| 151 | Fan cover | | | | | |
| 152.a | Rubber bush | | | | | |
| 152 | Hex head cap screw | | | | | |
| 196 | Diaphragm | | | | | |
| - | Kit, flange | | | 96796662 | 1 | |
| 156.b | Flange | | | | | |
| 159.b | Seal ring | | | | | |
| 185.b | Nut | | | | | |
| 185 | Hex socket head cap screw | | | | | |
| 186 | Drain plug | | | | | |
| 195.a | Grease nipple | | | | | |
| - | Kit, gaskets | | | 96798508 | 1 | |
| 184 | O-ring | | Diameter: 235 | | | |
| - | Kit, lubrication nipple | | | 96796671 | 1 | |
| 195.b | Grease nipple | | | | | |
| 195.a | Grease nipple | | | | | |
| - | Kit, ND-end shield cpl. | | | 96796669 | 1 | |
| 32b | Waved washer | | | | | |
| 156.a | End shield NDE | | | | | |
| 157 | O-ring | | | | | |
| 159 | V-ring | | | | | |
| 185.c | Nut | | | | | |
| 185.a | Hex socket head cap screw | | | | | |
| 195.b | Grease nipple | | | | | |
| - | Kit, shaft seal | | | 96843459 | 1 | |
| 159.b | V-ring | | | | | |
| 159 | V-ring | | | | | |



Company name:

Created by:

Phone:

Date:

18/02/2019

| Pos | Description | Annotation | Classification Data | Part no. | Qty. | Unit |
|-------|-------------------------------|------------|---------------------|----------|------|------|
| - | Kit, terminal board | | | 96796657 | 1 | |
| | Terminal connection | | | | | |
| | Washer | | | | | |
| 36 | Hex nut | | | | | |
| 173 | Torx Screw | | | | | |
| 176.d | Terminal board | | | | | |
| 176 | Terminal board | | | | | |
| 177 | Torx Screw | | | | | |
| - | Kit, terminal box cover | | | 96796659 | 1 | |
| 164 | Terminal box cover | | | | | |
| 273a | Pan head thread forming screw | | | | | |
| - | Motor | | | 85904034 | 1 | pcs |
| + | Kit, bearing cpl. | | | 96796676 | 1 | |
| - | Kit, bearing plate | | | 96796664 | 1 | |
| 155.a | Bearing cover | | | | | |
| 208a | Gasket | | | | | |
| 208 | Hex socket head cap screw | | Designation: DIN912 | | | |
| | | | Length (mm): 40 | | | |
| | | | Thread: M5 | | | |
| - | Kit, eyebolt | | | 96796712 | 1 | |
| 189 | Eyebolt | | | | | |
| - | Kit, fan | | | 96796654 | 1 | |
| 156.c | Retaining ring | | | | | |
| 156 | Fan | | | | | |
| - | Kit, fan cover | | | 96796647 | 1 | |
| 151 | Fan cover | | | | | |
| 152.a | Rubber bush | | | | | |
| 152 | Hex head cap screw | | | | | |
| 196 | Diaphragm | | | | | |
| - | Kit, flange | | | 96796662 | 1 | |
| 156.b | Flange | | | | | |
| 159.b | Seal ring | | | | | |
| 185.b | Nut | | | | | |
| 185 | Hex socket head cap screw | | | | | |
| 186 | Drain plug | | | | | |
| 195.a | Grease nipple | | | | | |
| - | Kit, gaskets | | | 96798508 | 1 | |
| 184 | O-ring | | Diameter: 235 | | | |
| - | Kit, lubrication nipple | | | 96796671 | 1 | |
| 195.b | Grease nipple | | | | | |
| 195.a | Grease nipple | | | | | |
| - | Kit, ND-end shield cpl. | | | 96796669 | 1 | |
| 32b | Waved washer | | | | | |
| 156.a | End shield NDE | | | | | |
| 157 | O-ring | | | | | |
| 159 | V-ring | | | | | |
| 185.c | Nut | | | | | |
| 185.a | Hex socket head cap screw | | | | | |
| 195.b | Grease nipple | | | | | |
| - | Kit, shaft seal | | | 96843459 | 1 | |
| 159.b | V-ring | | | | | |
| 159 | V-ring | | | | | |
| - | Kit, terminal board | | | 96796657 | 1 | |
| | Terminal connection | | | | | |
| | Washer | | | | | |
| 36 | Hex nut | | | | | |
| 173 | Torx Screw | | | | | |
| 176.d | Terminal board | | | | | |
| 176 | Terminal board | | | | | |

| Pos | Description | Annotation | Classification Data | Part no. | Qty. | Unit |
|-------|--|------------|---|----------|------|------|
| 177 | Torx Screw | | | | | |
| - | Kit, terminal box cover | | | 96796659 | 1 | |
| 164 | Terminal box cover | | | | | |
| 273a | Pan head thread forming screw | | | | | |
| 1a | Motor stool | | | 98993921 | 1 | pcs |
| 2 | Pump head | | | 98593647 | 1 | pcs |
| 6 | Base | | | 99321771 | 1 | pcs |
| 7a | Bulk, Socket button head screw (10 pcs) | | | 96549696 | 4 | pcs |
| 7 | Bulk, Coupling guard (10 pcs) | | | 96603279 | 2 | pcs |
| + 8 | Coupling cpl. | | Dimension: 22/42 | 96587704 | 1 | pcs |
| + 18 | Bulk, Air vent screw (5 pcs) | | | 96547461 | 1 | pcs |
| + 18 | Air vent screw | | | 95061351 | 1 | pcs |
| 25 | Bulk, Plug (10 pcs) | | | 96536013 | 1 | pcs |
| 26c | Bulk, Washer (4 pcs) | | Designation: DIN 125A Thickness: 1,6 | 99262704 | 4 | pcs |
| 26c | Washer | | Designation: DIN 125A Thickness: 1,6 | 96586880 | 4 | pcs |
| 26b | Bulk, Hex socket head cap screw (10 pcs) | | | 98931380 | 4 | pcs |
| 26a | Strap cpl. | | | 98984443 | 4 | pcs |
| 26 | Staybolt | | Length (mm): 373,5 Thread: M16 | 98976623 | 4 | pcs |
| 28.a | Bulk, Hex head screw (20 pcs) | | | 96620478 | 4 | pcs |
| 28 | Bulk, Hex socket head cap screw (10 pcs) | | Designation: DIN 912 Length (mm): 50 Thread: M10 | 96536147 | 4 | pcs |
| 32 | Bulk, Washer (100 pcs) | | Designation: DIN 125 A Internal diameter: 17 Outer diameter: 30 Thickness: 3 | 98923051 | 8 | pcs |
| 36 | Bulk, Hex nut (20 pcs) | | Thread: M16 | 96620480 | 4 | pcs |
| 38 | Bulk, O-ring (10 pcs) | | Diameter: 16,3 Material type: EPDM Thickness: 2,4 | 99198815 | 2 | pcs |
| 38 | Bulk, O-ring (50 pcs) | | Diameter: 16,3 Material type: EPDM Thickness: 2,4 | 99412727 | 2 | pcs |
| 44a | Discharge part | | | 99052574 | 1 | pcs |
| + 44 | Inlet part | | | 99106112 | 1 | pcs |
| - 49e | Impeller cpl. | | | 98394378 | 1 | pcs |
| 48 | Bulk, Split cone nut (10 pcs) | | | 96551333 | 1 | |
| 55 | Outer sleeve | | Outer diameter: 225 Length (mm): 229 | 99046895 | 1 | pcs |
| 56b | Base plate | | | 99048161 | 1 | pcs |
| 58 | Cover | | | 98893158 | 1 | pcs |
| 60 | Bulk, Spring (20 pcs) | | | 96536032 | 4 | pcs |
| 65a | Retainer | | | 98461640 | 1 | pcs |
| - 105 | Bulk, Shaft seal (12 pcs) | | Material type: HQQE | 96984086 | 1 | pcs |
| | Adjusting fork | | | 96587896 | 1 | |
| 109 | Bulk, O-ring (10 pcs) | | | 96547586 | 1 | |
| + 105 | Bulk, Shaft seal (12 pcs) | | Material type: HQQE | 96984070 | 1 | pcs |
| 440b | Bulk, Lock ring (4 pcs) | | | 96547435 | 1 | pcs |